

SLIM WIRE-TO-BOARD CONNECTOR

Poke-in design



TE Connectivity (TE) introduces the Slim Wire to Board Connector that was developed for wire to PCB board connection. The slim connector with no housing serves as an easy poke in connector with strong retention ability. The advantage of using this connector is that the conductor can be connected quickly without special tools and the small profile saves the space on the PCB.

Product Offering

[2834010-3](#) For wire 20, 22 and 24 AWG

[2834012-3](#) For wire 16, 18 and 20 AWG

Mechanical Specifications

- Operating temperature range -40 to 125°C
- Wire retention: 30 N Minimum
- Current rating: see table below

Electrical Specifications

- Voltage rating: 300 VAC Max.
- Dielectric strength: 2000 VAC

Materials

- Contact: Copper Alloy with Tin plating

Key Features

- Quick solderless poke in connector design
- Slim contacts that have no covering housing
- Several solutions for solid and stranded wire from 16 AWG to 24 AWG
- Safety standards with UL/CQC approval
- Available in Tape&Reel packaging

Applications

- LED Lighting Systems
- Home Automation
- Security Systems
- Telecommunications

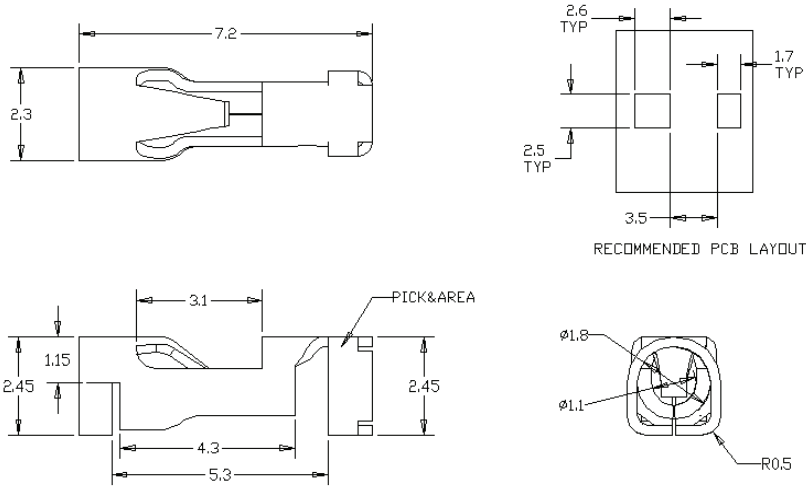
Current ratings					
Part number	16 AWG	18 AWG	20 AWG	22 AWG	24 AWG
2834010-3	-	-	11 A	8 A	6 A
2834012-3	16 A	13 A	11 A	-	-

Standards & Specifications

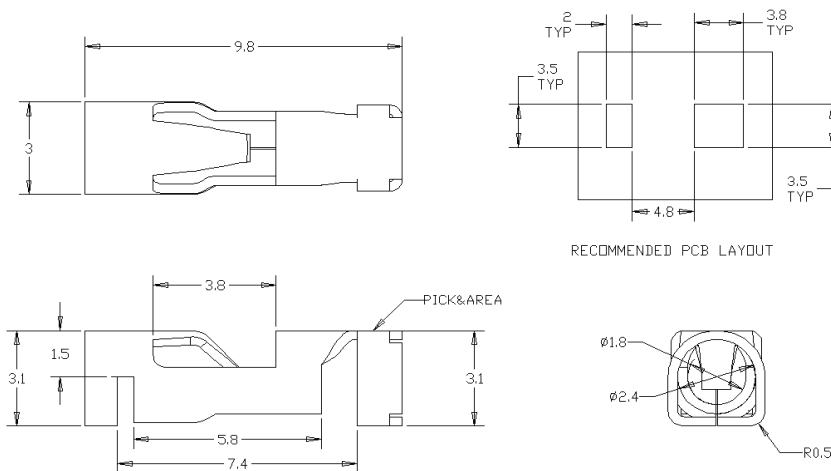
- Application Specification: 114-137049
- Product Specification: 108-137049
- UL Approval: UL1977

Dimensions

2834010-3



2834012-3



Dimensions are shown for reference purposes only. Specifications subject to change.
Customer drawing should be used for all design activity.

© 2015 TE Connectivity Ltd. family of companies. All Rights Reserved
TE Connectivity and TE connectivity (logo) are trademarks. Other logos, product and/or company names might be trademarks of their respective owners.

1-1773869-6 FS1 PDF 10/2015

USA: 1-800-522-6752
Canada: +1-905-475-6222
Mexico: +52 (0) 55-1106-0800

Latin/S. America: +54 (0) 11-4733-2200
Germany: +49 (0) 6251-133-1999
UK: +44 (0) 800-267666

France: +33 (0) 1-3420-8686
Netherlands: +31 (0) 73-6246-999
China: +86 (0) 400-820-6015