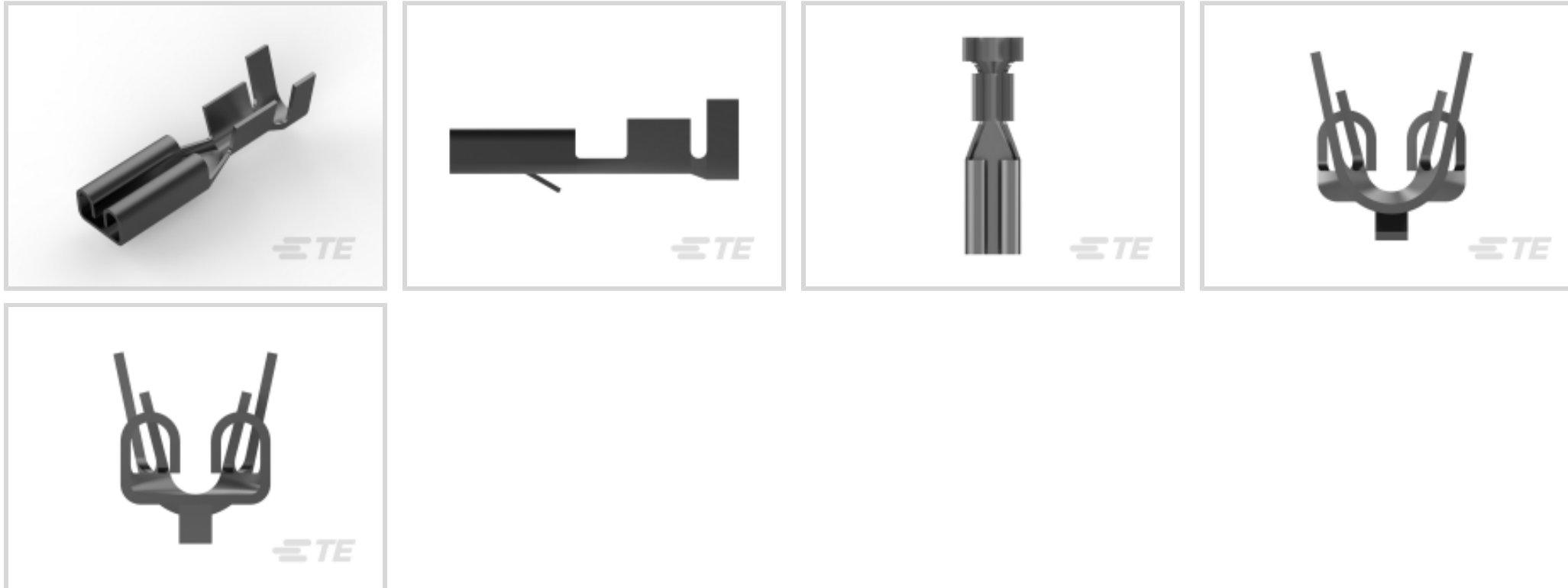




Terminals & Splices > Quick Disconnects



Quick Disconnect Terminal Type: **Receptacle**

Wire Size: **.51 – 1.03 mm²**

Mating Tab Width: **2.8 mm [.11 in]**

Mating Tab Thickness: **.51 mm [.02 in]**

Features

Product Type Features

Insertion Force	Normal
-----------------	--------

Configuration Features

Connection Capacity	Single
Compatible With Wire & Cable Type	Discrete Wire

Contact Features

Quick Disconnect Terminal Type	Receptacle
Mating Tab Width	2.8 mm [.11 in]
Mating Tab Thickness	.51 mm [.02 in]
Terminal Orientation	Straight
Contact Base Material	Brass
Terminal Plating Material	Pre-Tin
Crimp Type	F-Crimp
Barrel Type	Open

Termination Features

--	--



Product Terminates To	Wire & Cable
-----------------------	--------------

Mechanical Attachment

Locking Lance Height	.95 mm
----------------------	--------

Wire Insulation Support	With
-------------------------	------

Mating Retention Type	Locking Lance
-----------------------	---------------

Dimensions

Terminal Material Thickness	.25 mm[.01 in]
-----------------------------	----------------

Product Length	14 mm[.551 in]
----------------	----------------

Compatible Insulation Diameter Range	2.01 – 3 mm[.079 – .118 in]
--------------------------------------	-----------------------------

Wire Size	.51 – 1.03 mm ²
-----------	----------------------------

Usage Conditions

Insulation Option	Uninsulated
-------------------	-------------

Operating Temperature Range	-40 – 110 °C[-40 – 230 °F]
-----------------------------	----------------------------

Packaging Features

Packaging Quantity	10000
--------------------	-------

Packaging Method	Strip/Reel
------------------	------------

Other

Terminals & Splices Comment	According to DIN 46340, Part 1
-----------------------------	--------------------------------

Product Compliance

[For compliance documentation, visit the product page on TE.com>](#)

EU RoHS Directive 2011/65/EU	Compliant
------------------------------	-----------

EU ELV Directive 2000/53/EC	Compliant
-----------------------------	-----------

China RoHS 2 Directive MIIT Order No 32, 2016	No Restricted Materials Above Threshold
---	---

EU REACH Regulation (EC) No. 1907/2006	Current ECHA Candidate List: JUNE 2023 (235) Candidate List Declared Against: JUNE 2023 (235) Does not contain REACH SVHC
--	---

Halogen Content	Low Halogen - Br, Cl, F, I < 900 ppm per homogenous material. Also BFR/CFR/PVC Free
-----------------	---

Solder Process Capability	Not applicable for solder process capability
---------------------------	--

Product Compliance Disclaimer

This information is provided based on reasonable inquiry of our suppliers and represents our current actual knowledge based on the information they provided. This information is subject to change. The part numbers that TE has identified as EU RoHS compliant have a maximum concentration of 0.1% by weight in homogenous materials for lead, hexavalent chromium, mercury, PBB, PBDE, DBP, BBP, DEHP, DIBP, and 0.01% for cadmium, or qualify for an exemption to these limits as defined in the Annexes of Directive 2011/65/EU (RoHS2). Finished electrical and electronic equipment products will be CE marked as required by Directive 2011/65/EU. Components may not be CE marked. Additionally, the part numbers that TE has identified as EU ELV compliant have a maximum concentration of 0.1% by weight in homogenous materials for lead, hexavalent chromium, and mercury, and 0.01% for cadmium, or qualify for an exemption to these limits as defined in the Annexes of Directive 2000/53/EC (ELV). Regarding the REACH Regulation, the information TE provides on SVHC in articles for this part number is based on the latest European Chemicals Agency (ECHA) 'Guidance on requirements for substances in articles' posted at this URL: <https://echa.europa.eu/guidance-documents/guidance-on-reach>

Compatible Parts



TE Part # 2150017-1
OCEAN_2.0_Applicator-E-070F130F



KIT
REPRESENTATION ONLY

TE Part # 7-2150017-7
OCEAN_2.0_SPARE_PART_KIT-070F130F



TE Part # 880634-5
FF 110 REC 0.5-1.0 MM2 0.25 X 12.3 PTPBR



TE Part # 2-2150017-1
OCEAN_2.0_Applicator-E-070F130F



TE Part # 2-2150017-2
OCEAN_2.0_Applicator-E-070F130F



TE Part # 2150017-2
OCEAN_2.0_Applicator-E-070F130F



TE Part # 444406-1
REC. 110 SERIES FATIN-ON



TE Part # 63580-1
FF 125 REC 22-18AWG TPBR



TE Part # 7-2150017-1
OCEAN_2.0_Applicator-E-070F130F



TE Part # 7-2150017-2
OCEAN_2.0_Applicator-E-070F130F



TE Part # 737255-5
FF 110 REC 0.5-1.0MM2 TPBR



TE Part # 880634-1
FF 110 REC 0.5-1.0 MM2 0.25X12.3 BR



TE Part # 881799-2
FASTIN ON .110 REC



TE Part # 881799-3
.110 SER. FASTIN-ON



Also in the Series | FASTIN-FASTON 110



Automotive Housings(6)



Automotive Terminals(6)



Crimp Terminal Housings(34)



Insertion & Extraction Tools(3)



Quick Disconnects(83)

Customers Also Bought



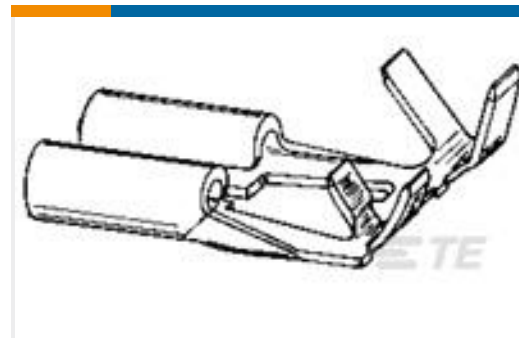
TE Part #TAA753A5501-020
M12A5-FS-PUR-2.0M



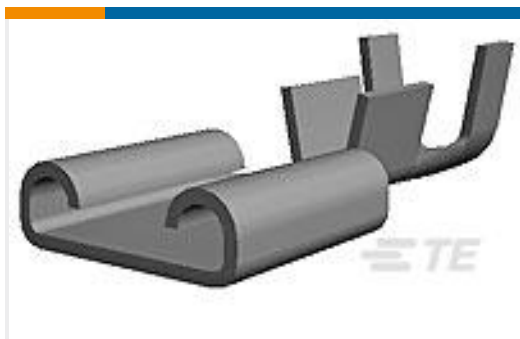
TE Part #2-34151-1
PG R 22-16 COMM 22-18 MIL 5/16



TE Part #42168-2
SPRING SPADE TERMINAL 18-14
AWG TPBR



TE Part #180453-2
FF 312 REC 1-2.5MM2 TPBR



TE Part #170179-2
205 FASTON,REC.,18-14 AWG,TPBR



TE Part #53832-1
SOLIS SP SPD22-16COM22-18MIL10



TE Part #964310-1
TAB A 5.8x0.8 CONTACT CF SWS Sn



TE Part #2-380935-0
MR SPLT GROMET .437 DIA BLK LF



TE Part #3-1415419-5
0419 11 0301 00



TE Part #CH31716001
QSZH-125-NR2-40MM



Documents

Product Drawings

[FF 110 REC 0.5-1.0MM2 TPBR](#)

English

CAD Files

[3D PDF](#)

3D

Customer View Model

[ENG_CVM_CVM_160684-4_W.2d_dxf.zip](#)

English

Customer View Model

[ENG_CVM_CVM_160684-4_W.3d_igs.zip](#)

English

Customer View Model

[ENG_CVM_CVM_160684-4_W.3d_stp.zip](#)

English

[3D PDF](#)

English

Customer View Model

[ENG_CVM_160684-4_W.3d_igs.zip](#)

English

Customer View Model

[ENG_CVM_160684-4_W.3d_stp.zip](#)

English

Customer View Model

[ENG_CVM_160684-4_W.2d_dxf.zip](#)

English

By downloading the CAD file I accept and agree to the [Terms and Conditions](#) of use.

Product Environmental Compliance

[MD_160684-4_1209201529_dmtec](#)

English

[MD_160684-4_1209201529_dmtec](#)

English