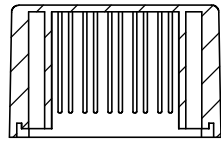


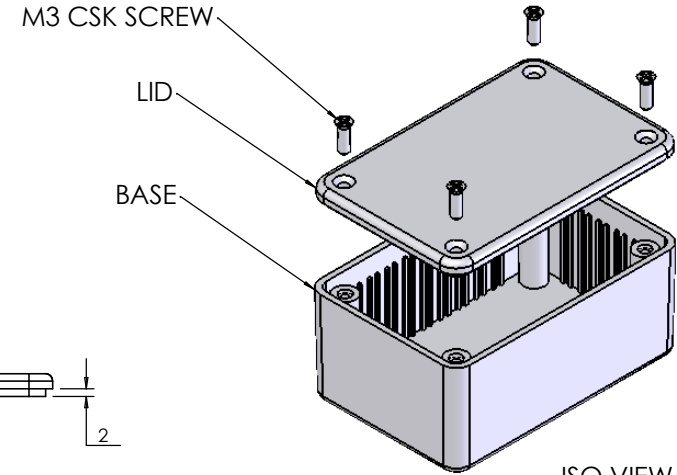
OVERALL ASSEMBLY DIMENSIONS:

EXTERNAL - 85 x 56 x 39

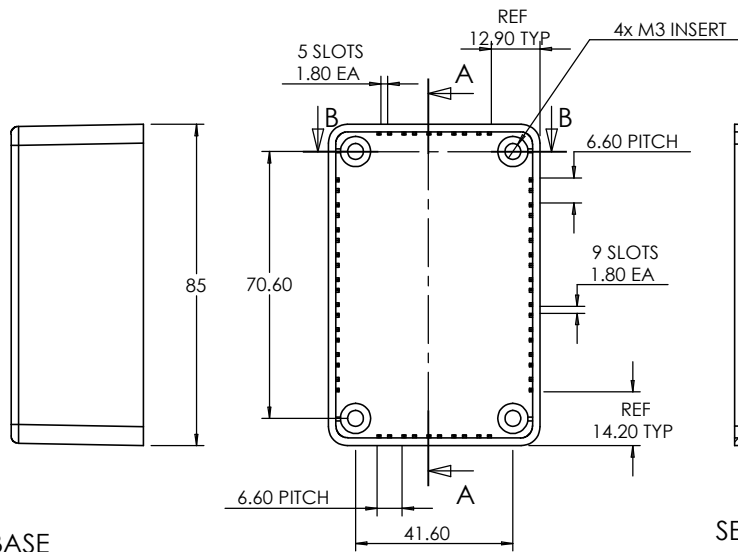
INTERNAL - 81.4 x 52.4 x 35.4



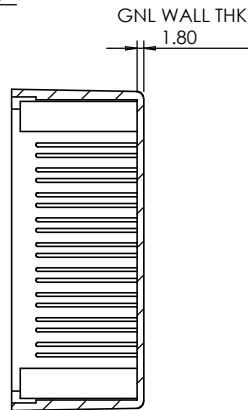
SECTION B-B



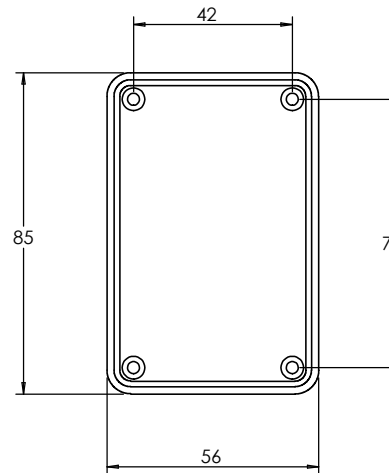
ISO VIEW



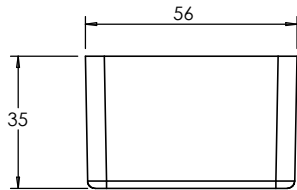
BASE



SECTION A-A



LID



<p>JAMES CARTER RD, MILDENHALL, SUFFOLK. IP28 7DE TEL: 01638 716101 FAX: 01638 716554 EMAIL: Sales@CamdenBoss.com WEB: www.CamdenBoss.com</p>				UNLESS OTHERWISE SPECIFIED: DIMENSIONS ARE IN MILLIMETERS		DO NOT SCALE DRAWING	REVISION. 0
				FINISH. SMOOTH		TITLE: ASSEMBLY DRG FOR 2001/11	
DRAWN	S.HARDINGE	SJH	30/09/05	MATERIAL. ABS	DWG NO.	2001,11	A4
CHKD	-	-	-	PROJECTION.	SCALE: 1 : 2	SHEET 1 OF 1	