



fuse-links & fuse holders

PHOTOVOLTAIC



sdf NH1
250A
1000V DC
354172

UL LISTED PHOTOVOLTAIC FUSEHOLDER E-262621
DO NOT OPERATE UNDER LOAD
Maximum torque: 32 Nm
Withstand rating: 30 kA DC
Use Photovoltaic Fuses
Made in Spain

sdf NH2
400A 1000V DC
354173

PHOTOVOLTAIC FUSEHOLDER
DO NOT OPERATE UNDER LOAD
Maximum torque: 32 Nm
Withstand rating: 30 kA DC
Use Photovoltaic Fuses
Made in Spain

sdf NH3
500A 1000V DC
354180

UL LISTED PHOTOVOLTAIC FUSEHOLDER E-262621
DO NOT OPERATE UNDER LOAD
Maximum torque: 32 Nm
Withstand rating: 30 kA DC
Use Photovoltaic Fuses
Made in Spain

sdf PML
10/14x85
32A 1500V DC
485701

UL Ratings
RATED: 1500V DC 30A
Withstand rating: 30 kA DC
Torque rating: 2,5Nm (22 lb.in)
Wire range: 18...4 AWG
Use 60/75/90°C Cu Wire only
Use Photovoltaic Fuses
DO NOT OPERATE UNDER LOAD

IEC/EN 60269
1500V DC 1000V AC 32A
Max. 6W
Wire range: 0,75...16mm²

Made in Spain

sdf NH3 gPV
315 A
1000V DC
I_n = 30 kA
IEC 60269-6
373445

RoHS COMPLIANT
UL
CE
Made in Spain

sdf NH2 gPV
200 A
1000V DC
I_n = 30 kA
IEC 60269-6
373350

RoHS COMPLIANT
CE
Made in Spain

sdf NH1 gPV
100 A
1000V DC
I_n = 30 kA
IEC 60269-6
373245

RoHS COMPLIANT
UL
CE
Made in Spain

10x
I=30kA
600V DC

PHOTONOTAG

FUSE LINKS

- PAGE 02 | gPV 10x38 & 14x51 600 & 1000V/1100 DC FUSE LINKS
- PAGE 03 | gPV 10x85 1200 & 1500V DC FUSE LINKS
- PAGE 04 | gPV NH1, NH2 & NH3 1000V DC FUSE LINKS

FUSE HOLDERS & BASES

- PAGE 05 | PMX 10x38 & 14x51 1000V DC FUSE HOLDERS
- PAGE 06 | PML 10/14x85 1500V DC FUSE LINKS
- PAGE 08 | CLIP CONTACT FOR ϕ 10 FUSE BASES
- PAGE 09 | ST NH1, NH2 & NH3 1000V DC FUSE BASES

PMX-PV 14x51
50A
100V DC

df PMX-PV
10x38
32A 1000V DC
485152

PAGE 09 |

PAGE 08 |

PAGE 06 |

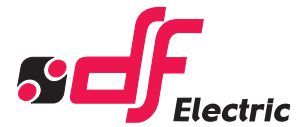
PAGE 05 |

df
32A

df
20A
1000V DC
I_t=30 KA

491635
gPV
CE

PHOTOVOLTAIC FUSE-LINKS



gPV FUSE-LINKS FOR PHOTOVOLTAIC APPLICATIONS

PV fuse-links for photovoltaic installations from DF Electric have been developed to offer a compact, safety and economic protection solution in photovoltaic installations where, due to the increase of the power and technologic evolution, no-load voltages above 800V DC are reached. Also meet the requirements for instruments (multimeters) and traction equipment auxiliary circuits. The range comprises 10x38 & 14x51 fuse-links with rated currents between 1A and 20A. Rated voltage is 600 V DC or 1000V DC (direct current). Provide protection against overloads as well as short-circuits. Made with ceramic tube with high withstand to internal pressure and thermal shock, that allows a high breaking capacity in a reduced physical space. Contacts are made of silver plated copper and melting elements are made of pure silver in order to avoid the aging and thus keep unalterable the electric characteristics. For these fuse-links we recommend the utilization of PMX 1000V fuse holders in single pole version or two-pole version.

| 10x38 | I_n (A) | REFERENCE | BREAKING CAPACITY (kA) | PACKING Uni./BOX |
|-------------|--------------|-----------|---------------------------|---------------------|
| 1000V DC | 1 | 491601 | 30 | 10/100 |
| | 2 | 491602 | 30 | 10/100 |
| | 3 | 491604 | 30 | 10/100 |
| | 4 | 491605 | 30 | 10/100 |
| | 5 | 491606 | 30 | 10/100 |
| | 6 | 491610 | 30 | 10/100 |
| | 8 | 491615 | 30 | 10/100 |
| | 10 | 491620 | 30 | 10/100 |
| | 12 | 491625 | 30 | 10/100 |
| | 15 | 491629 | 30 | 10/100 |
| | 16 | 491630 | 30 | 10/100 |
| | 20 | 491635 | 30 | 10/100 |



| | | | | |
|------------|--------|--------|--------|--------|
| 600V DC | 1 | 491901 | 30 | 10/100 |
| | 2 | 491902 | 30 | 10/100 |
| | 3 | 491904 | 30 | 10/100 |
| | 4 | 491905 | 30 | 10/100 |
| | 5 | 491906 | 30 | 10/100 |
| | 6 | 491910 | 30 | 10/100 |
| | 8 | 491915 | 30 | 10/100 |
| | 10 | 491920 | 30 | 10/100 |
| | 12 | 491925 | 30 | 10/100 |
| | 15 | 491929 | 30 | 10/100 |
| | 16 | 491930 | 30 | 10/100 |
| | 20 | 491935 | 30 | 10/100 |
| | 25 | 491940 | 30 | 10/100 |
| 30 | 491944 | 30 | 10/100 | |
| 32 | 491945 | 30 | 10/100 | |



| 14x51 | I_n (A) | REFERENCE | BREAKING CAPACITY (kA) | PACKING Uni./BOX |
|-------------|--------------|-----------|---------------------------|---------------------|
| 1100V DC | 15 | 491647 | 10 | 10/50 |
| | 20 | 491648 | 10 | 10/50 |
| 1000V DC | 25 | 491650 | 30 | 10/50 |
| | 32 | 491655 | 30 | 10/50 |



STANDARDS
IEC 60269-1
IEC 60269-6
UL 2579

APPROVALS



TECHNICAL

t-I CHARACTERISTICS

PAGE 09

TECHNICAL

AMBIENT TEMPERATURE
DERATING FACTOR

PAGE 12

COMPATIBLE

PV FUSE HOLDERS FOR
PHOTOVOLTAIC
APPLICATIONS

PAGE 05

COMPATIBLE

CLIP CONTACT FOR ϕ 10
FUSE-LINKS

PAGE 07

PHOTOVOLTAIC FUSE-LINKS

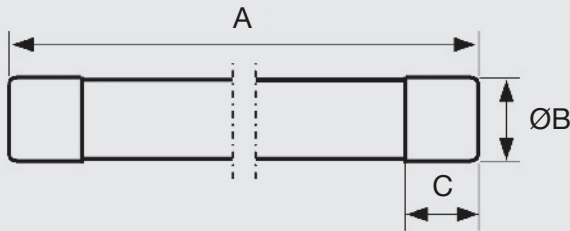
gPV FUSE-LINKS FOR PHOTOVOLTAIC APPLICATIONS

| 10x85 | I_n (A) | REFERENCE | BREAKING CAPACITY (kA) | PACKING Uni./BOX |
|-------------|--------------|-----------|---------------------------|---------------------|
| 1500V DC | 2 | 492202 | 10 | 4/24 |
| | 4 | 492205 | 10 | 4/24 |
| | 6 | 492210 | 10 | 4/24 |
| | 8 | 492215 | 10 | 4/24 |
| | 10 | 492220 | 10 | 4/24 |
| | 12 | 492225 | 10 | 4/24 |
| | 15 | 492229 | 10 | 4/24 |
| | 16 | 492230 | 10 | 4/24 |
| 1200V DC | 20 | 492235 | 10 | 4/24 |
| | 25 | 492240 | 10 | 4/24 |



TECHNICAL gPV FUSE-LINKS FOR PHOTOVOLTAIC APPLICATIONS DIMENSIONS

10x38
14x51
10x85



| SIZE | A | B | C |
|-------|----|------|----|
| 10x38 | 38 | 10,3 | 10 |
| 14x51 | 51 | 14,3 | 10 |
| 10x85 | 85 | 10,3 | 10 |

STANDARDS
IEC 60269-1
IEC 60269-6
UL 2579

APPROVALS
Cd-Pb FREE
RoHS compliant

TECHNICAL
t-I CHARACTERISTICS
PAGE 10

TECHNICAL
AMBIENT TEMPERATURE
DERATING FACTOR
PAGE 12

COMPATIBLE
CLIP CONTACT FOR $\phi 10$
FUSE-LINKS
PAGE 07

PHOTOVOLTAIC FUSE-LINKS

gPV FUSE-LINKS FOR PHOTOVOLTAIC APPLICATIONS

NH

1000V DC

NH gPV 1000V DC fuse-links for photovoltaic installations have been developed to offer a compact, safety and economic protection solution in second level panels of photovoltaic installations. The range comprises NH1 fuse-links with rated currents between 25A and 200A, NH2 with rated currents between 200A and 250A and NH3 fuse-links with rated currents between 200A and 400 A. Rated voltage is 1000V DC (direct current). They provide protection against overloads as well as short-circuits (gPV class according to IEC 60269 Standard), with a minimum fusing current of 1,35·In. Made with ceramic body with high withstand to internal pressure and thermal shock. Contacts are made of silver plated copper or brass and melting elements are made of pure silver in order to avoid the aging and thus keep unalterable the electric characteristics. For these fuse-links we recommend the utilization of 1000V NH ST fuse bases.

NH1

| In (A) | REFERENCE | BREAKING CAPACITY (kA) | PACKING Uni./BOX |
|--------|-----------|------------------------|------------------|
| 25 | 373210 | 30 | 1/30 |
| 32 | 373215 | 30 | 1/30 |
| 40 | 373225 | 30 | 1/30 |
| 50 | 373230 | 30 | 1/30 |
| 63 | 373235 | 30 | 1/30 |
| 80 | 373240 | 30 | 1/30 |
| 100 | 373245 | 30 | 1/30 |
| 125 | 373250 | 30 | 1/30 |
| 160 | 373255 | 30 | 1/30 |
| 200 | 373260 | 30 | 1/30 |

NH2

| | | | |
|-----|--------|----|------|
| 200 | 373350 | 30 | 1/15 |
| 250 | 373360 | 30 | 1/15 |

NH3

| | | | |
|-----|--------|----|------|
| 200 | 373425 | 30 | 1/15 |
| 250 | 373435 | 30 | 1/15 |
| 315 | 373445 | 30 | 1/15 |
| 355 | 373450 | 30 | 1/15 |
| 400 | 373455 | 30 | 1/15 |



373245



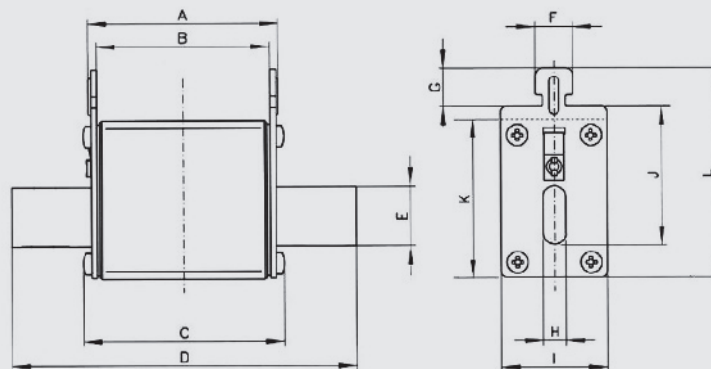
373350

TECHNICAL gPV FUSE-LINKS FOR PHOTOVOLTAIC APPLICATIONS DIMENSIONS

NH1

NH2

NH3



| SIZE | A | B | C | D | E | F | G | H | I | J | K | L |
|------|----|----|------|-----|----|----|-----|---|----|----|----|----|
| NH1 | 68 | 62 | 71,5 | 135 | 20 | 10 | 9,5 | 6 | 39 | 40 | 52 | 64 |
| NH2 | 68 | 62 | 71,5 | 150 | 25 | 10 | 9,5 | 6 | 53 | 48 | 60 | 72 |
| NH3 | 68 | 62 | 73 | 150 | 32 | 10 | 9,5 | 6 | 70 | 60 | 75 | 87 |

STANDARDS
IEC 60269-1
IEC 60269-6
UL 2579

APPROVALS



TECHNICAL
t-I CHARACTERISTICS

PAGE 11

TECHNICAL
AMBIENT TEMPERATURE
DERATING FACTOR

PAGE 12

COMPATIBLE
NH FUSE BASES FOR
PHOTOVOLTAIC
APPLICATIONS

PAGE 08

PHOTOVOLTAIC FUSE HOLDERS

PMX FUSE HOLDERS FOR PHOTOVOLTAIC APPLICATIONS

The first feature that PV Modular fuse holders offers, is the 1000V DC or 1100V DC rated voltages. They have been developed to offer a compact, safety and economic protection solution in photovoltaic installations where due to the increase of the power and technologic evolution, no-load voltages above 800V DC can be achieved. Modular fuse holders for 10x38 & 14x51 gPV fuses according IEC/EN 60269 standard. Compact design, with reduced distances. Manufactured with a high quality materials: Silver plated copper contacts and plastic materials with high temperature resistance and selfextinguishable. All the materials are according to the European Directive RoHS (Restriction of the use of certain hazardous substances in electrical material). UL certification (File E359201).

1000V DC

10x38

WITHOUT INDICATOR

| POLES | MODULES | REFERENCE | DESCRIPTION | I_n (A) | U (V DC) | PACKING Uni./BOX |
|-------|---------|---------------|-------------|--------------|-------------|---------------------|
| 1 | 1 | 485150 | SINGLE-POLE | 32 | 1000 | 12/192 |
| 2 | 2 | 485151 | TWO-POLES | 32 | 1000 | 6/96 |

WITH INDICATOR

| | | | | | | |
|---|---|---------------|-------------|----|------|--------|
| 1 | 1 | 485152 | SINGLE-POLE | 32 | 1000 | 12/192 |
| 2 | 2 | 485153 | TWO-POLES | 32 | 1000 | 6/96 |



1100V DC

14x51

WITHOUT INDICATOR

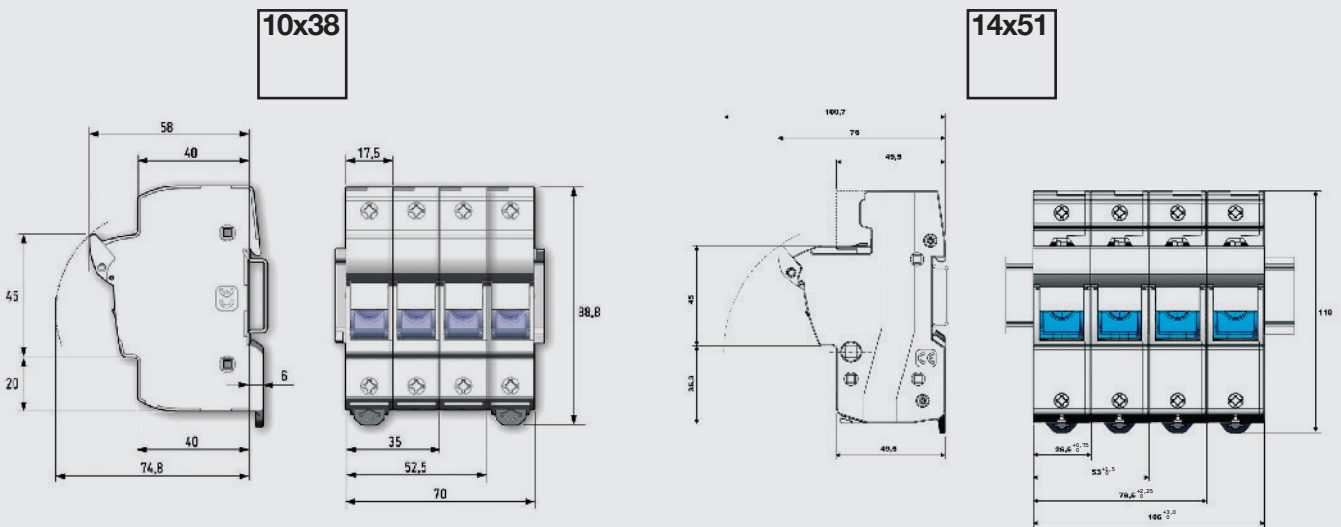
| | | | | | | |
|---|-----|---------------|-------------|----|------|------|
| 1 | 1,5 | 485250 | SINGLE-POLE | 50 | 1100 | 6/90 |
| 2 | 3 | 485251 | TWO-POLES | 50 | 1100 | 3/45 |

WITH INDICATOR

| | | | | | | |
|---|-----|---------------|-------------|----|------|------|
| 1 | 1,5 | 485252 | SINGLE-POLE | 50 | 1100 | 6/90 |
| 2 | 3 | 485253 | TWO-POLES | 50 | 1100 | 3/45 |



TECHNICAL PMX FUSE HOLDERS FOR PHOTOVOLTAIC APPLICATIONS DIMENSIONS



STANDARDS
IEC 60269-1
IEC 60269-2
EN 60269-1
EN 60269-2
UL4248-18

APPROVALS

RoHS compliant

COMPATIBLE
gPV FUSE-LINKS FOR PHOTOVOLTAIC APPLICATIONS

COMPATIBLE
CONNECTION ACCESSORIES: PHASE BUSBARS AND ACCESSORIES
SEE CYLINDRICAL

PAGE **02**

PHOTOVOLTAIC FUSE HOLDERS

PML FUSE HOLDERS FOR PHOTOVOLTAIC APPLICATIONS 1500 VDC

- ▶ Fuse holder for cylindrical fuse link size 10x85 gVP and 10/14x85 gPV.
- ▶ Modern compact design.
- ▶ Ventilation zones optimized for a better heat dissipation.
- ▶ Manufactured with a high quality materials.
 - Silver plated copper contacts.
 - Plastic materials with high temperature resistance and self-extinguishable.
 - All the materials are according to the European Directive RoHS (Restriction of the use of certain hazardous substances in electrical material) and also halogen free.

1500V DC

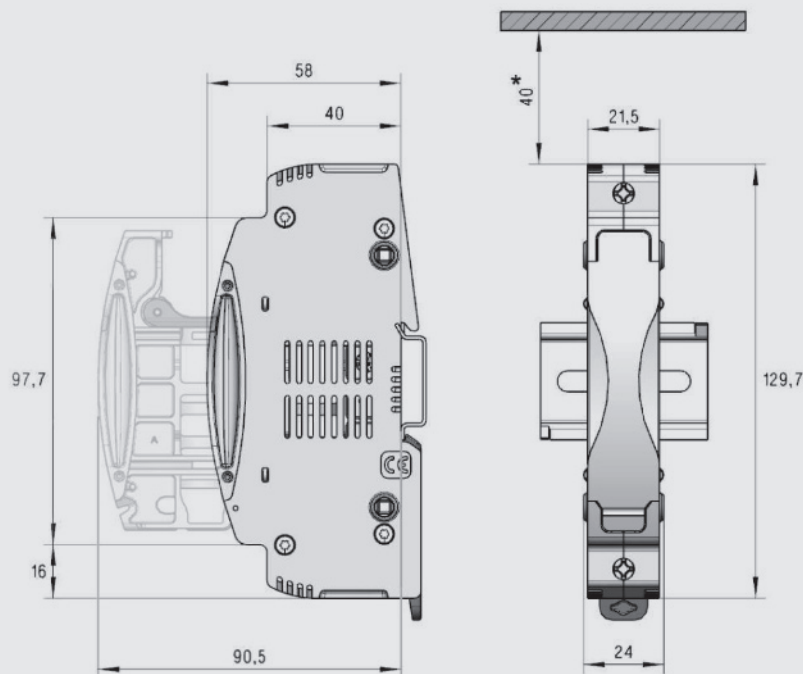
**10x85
10/14x85**

| POLES | MODULE (mm) | REFERENCE | DESCRIPTION | I _n (A) | U (V DC) | PACKING Uni./BOX |
|-------|-------------|-----------|--------------------------------|--------------------|----------|------------------|
| 1 | 24 | 485701 | PML 10/14x85 FUSEHOLDER 1 POLE | 32 | 1500 | 6/84 |



PATENTED DESIGN

TECHNICAL PML FUSE HOLDERS FOR PHOTOVOLTAIC APPLICATIONS 1500 VDC DIMENSIONS



STANDARDS
IEC/EN 60269-1
IEC/EN 60269-2
UL4248-1
UL4248-19
UL486E

APPROVALS
RoHS compliant
HF halogen free

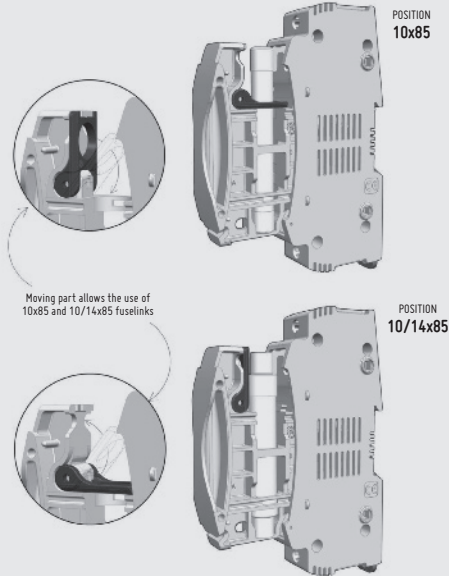
COMPATIBLE
gPV FUSE-LINKS FOR PHOTOVOLTAIC APPLICATIONS
PAGE 02

COMPATIBLE
CONNECTION ACCESSORIES: PHASE BUSBARS AND ACCESSORIES
SEE CYLINDRICAL

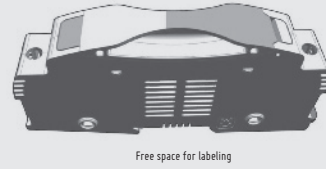
PHOTOVOLTAIC FUSE HOLDERS

TECHNICAL PML FUSE HOLDERS FOR PHOTOVOLTAIC APPLICATIONS 1500 VDC

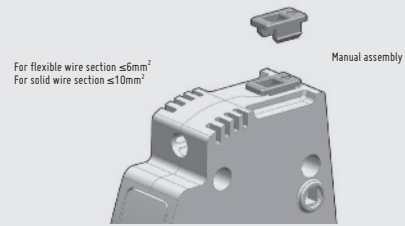
FUSE-LINK SIZE SELECTOR



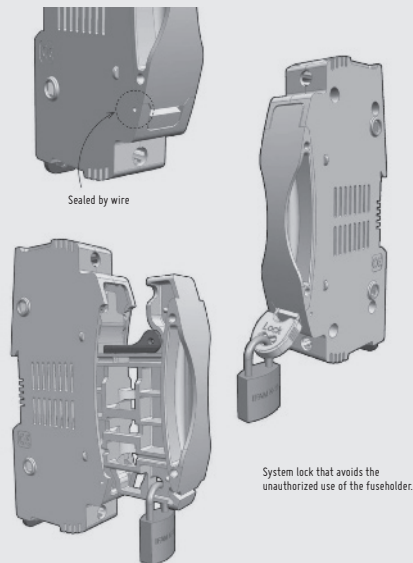
FREE SPACE FOR LABELING



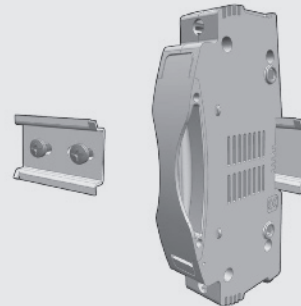
SPECIAL IP20 PROTECTION



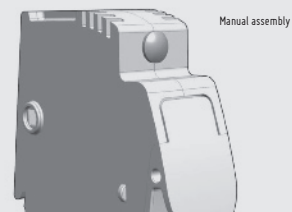
LOCK OF THE FUSE HOLDER



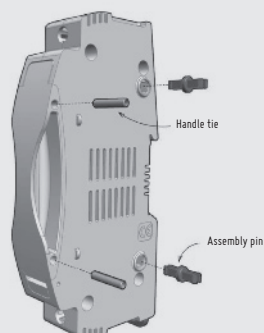
SCREW FIXATION ACCESSORY



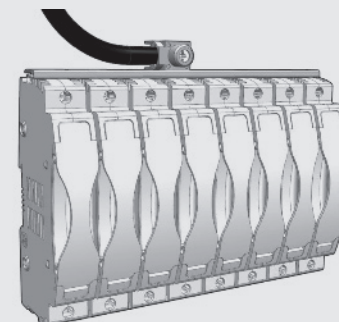
SCREWS PROTECTION ACCESSORY



MULTIPOLAR ASSEMBLY



BUSBAR



PHOTOVOLTAIC FUSE BASES

CLIP CONTACT FOR Ø10 FUSE-LINKS

Clip contact for Ø10 cylindrical fuse links. Screw fixation and PCB versions. Manufactured in tinned bronze. All the materials are according to the European Directive RoHS (Restriction of the use of certain hazardous substances in electrical material).

10x38
10x85

| REFERENCE | DESCRIPTION | I_n (A) | P_d max (W) | PACKING Uni./BOX |
|-----------|---------------------------------|--------------|------------------|---------------------|
| 482001 | Ø10 CLIP CONTACT SCREW FIXATION | 25 | 4 | 50/200 |
| 482002 | Ø10 CLIP CONTACT FOR PCB | 25 | 4 | 50/200 |



482001



482002

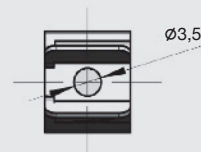
TECHNICAL

CLIP CONTACT FOR Ø10 FUSE-LINKS DIMENSIONS

10x38
10x85

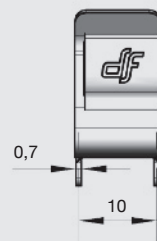
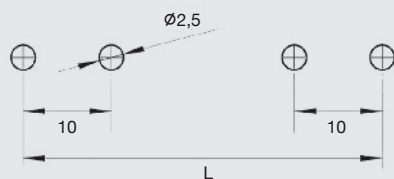
Ø10 CLIP CONTACT SCREW FIXATION

| SIZE | L (mm) |
|-------|-----------|
| 10x38 | 32 |
| 10x85 | 79,6 |



Ø10 CLIP CONTACT FOR PCB

| SIZE | L (mm) |
|-------|-----------|
| 10x38 | 42 |
| 10x85 | 89,6 |



PHOTOVOLTAIC FUSE BASES

ST 1000V DC NH FUSE BASES FOR PHOTOVOLTAIC APPLICATIONS

Fuse bases for NH fuse-links. Available in sizes NH1(250 A), NH2(400 A) and NH3(500 A). Manufactured with a high quality materials. Silver plated copper contacts. Plastic materials with high temperature resistance and self-extinguishable. All the materials are according to the European Directive RoHS. For DIN rail mounting or with screw fixing. Single-phase type. Connection by screws. Contacts with double spring in order to obtain an optimum operation. Wide range of accessories that enables IP20 protection index: contact covers, fuse link covers and partition walls. Multi-pole units can be made with connection accessories. Manufactured according IEC, VDE and DIN standards. UL certification (File E359201).

| | DESCRIPTION | REFERENCE | U (VDC) | PACKING |
|--------------------|--|---------------|---------|---------|
| SINGLE POLE | | | | |
| NH1 250A | DIN RAIL-SCREW FIXING / SCREW CONNECTION | 354172 | 1000 | 1 |
| NH2 400A | DIN RAIL-SCREW FIXING / SCREW CONNECTION | 354175 | 1000 | 1 |
| NH3 500A | DIN RAIL-SCREW FIXING / SCREW CONNECTION | 354180 | 1000 | 1 |



354175

NH FUSE BASES ACCESSORIES MICROSWITCHES FOR NH LINKS

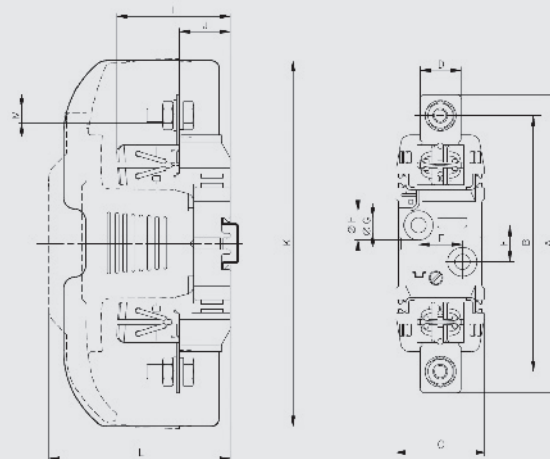
| REFERENCE | DESCRIPTION | PACKING |
|---------------|--------------------------------------|------------------|
| 357010 | MICROSWITCH FOR NH1 & NH3 FUSE LINKS | Uni./BOX 1/12 |



357010

TECHNICAL ST 1000V DC NH FUSE BASES FOR PHOTOVOLTAIC APPLICATIONS DIMENSIONS

- NH1 250A**
- NH2 400A**
- NH3 500A**



| SIZE | A | B | C | D | E | F | G | H | I | J | K | L | M |
|------|-----|-----|----|----|----|----|------|------|------|----|-----|-----|-----|
| NH1 | 200 | 175 | 48 | 28 | 30 | 25 | 10,1 | 20,5 | 77,5 | 35 | 250 | 106 | M10 |
| NH2 | 225 | 200 | 60 | 32 | 30 | 25 | 10,5 | 20,5 | 88 | 35 | 250 | 123 | M12 |
| NH3 | 240 | 210 | 60 | 38 | 30 | 25 | 10,5 | 20,5 | 97 | 35 | 270 | 143 | M12 |

STANDARDS
IEC 60269-1
IEC 60269-2
EN 60269-1
EN 60269-2
UL4248

STANDARDS
VDE 0636
DIN 43620

APPROVALS

COMPATIBLE
gPV NH1 & NH3 FUSE-LINKS FOR PHOTOVOLTAIC APPLICATIONS
PAGE **04**

COMPATIBLE
TERMINAL COVERS, FUSE-LINKS COVERS AND IP20 PROTECTION KITS
SEE NH

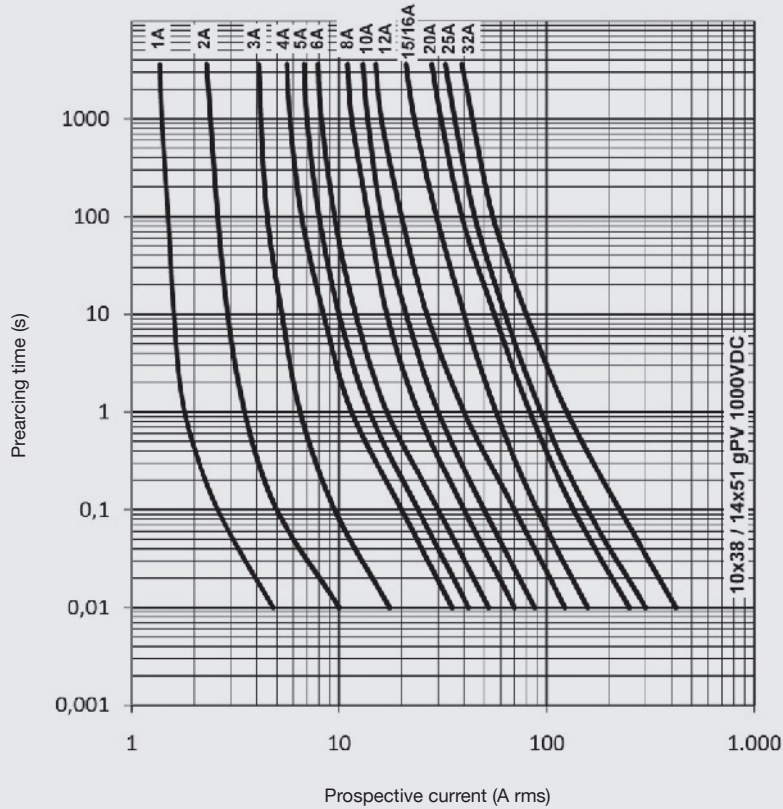
PHOTOVOLTAIC FUSE-LINKS



TECHNICAL **gPV** FUSE-LINKS FOR PHOTOVOLTAIC APPLICATIONS
t-I CHARACTERISTICS & POWER DISSIPATION

10x38

14x51



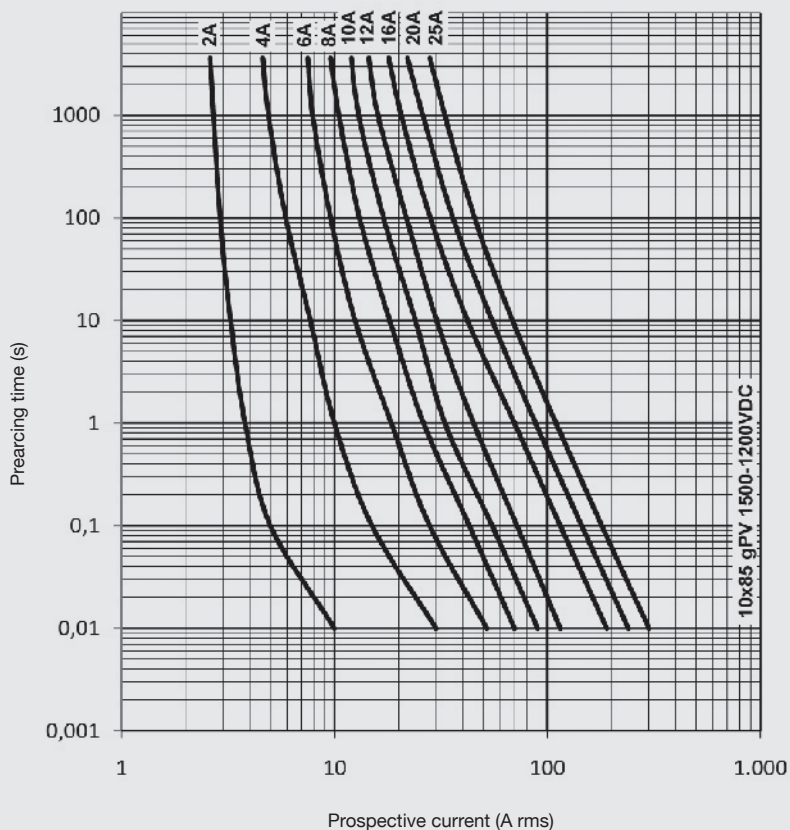
| RATED CURRENT (A) | REFERENCE | | POWER DISSIPATION (W @ 0,7 In) | | POWER DISSIPATION (W @ In) | | PREARcing I ² t (A ² s) | | OPERATING I ² t (A ² s) | |
|----------------------|-----------|---------|-----------------------------------|---------|-------------------------------|---------|--|---------|--|---------|
| | 1000V DC | 600V DC | 1000V DC | 600V DC | 1000V DC | 600V DC | 1000V DC | 600V DC | 1000V DC | 600V DC |
| 1 | 491601 | 491901 | 0,31 | 0,31 | 0,76 | 0,76 | 0,35 | 0,35 | 1,3 | 0,8 |
| 2 | 491602 | 491902 | 0,78 | 0,62 | 1,45 | 1,54 | 0,62 | 1,78 | 1,0 | 3,9 |
| 3 | 491604 | 491904 | 0,66 | 0,54 | 1,66 | 1,35 | 1,9 | 9,0 | 3,1 | 19,6 |
| 4 | 491605 | 491905 | 0,64 | 0,73 | 1,57 | 1,84 | 6,9 | 3,0 | 11 | 6,6 |
| 5 | 491606 | 491906 | 0,60 | 0,93 | 1,65 | 2,22 | 14 | 4,4 | 22 | 9,6 |
| 6 | 491610 | 491910 | 0,76 | 0,96 | 1,84 | 2,40 | 24 | 8,5 | 38 | 18,8 |
| 8 | 491615 | 491915 | 0,80 | 1,02 | 1,92 | 2,55 | 62 | 25 | 99 | 55,0 |
| 10 | 491620 | 491920 | 0,94 | 1,03 | 2,2 | 2,58 | 10 | 11 | 48 | 27,9 |
| 12 | 491625 | 491925 | 0,98 | 1,04 | 2,4 | 2,60 | 18 | 25 | 94 | 62,8 |
| 15 | 491629 | 491929 | 1,0 | 1,07 | 2,6 | 2,44 | 46 | 25 | 110 | 82,8 |
| 16 | 491630 | 491930 | 1,1 | 1,08 | 2,7 | 2,70 | 46 | 33 | 110 | 82,8 |
| 20 | 491635 | 491935 | 1,2 | 1,16 | 2,9 | 2,90 | 118 | 85 | 282 | 212 |
| 25 | - | 491940 | - | 1,10 | - | 2,74 | - | 280 | - | 460 |
| 30 | - | 491944 | - | 1,70 | - | 4,00 | - | 400 | - | 650 |
| 32 | - | 491945 | - | 1,76 | - | 4,40 | - | 400 | - | 650 |
| 10x38 | | | | | | | | | | |
| 15 | 491647* | - | 1,34 | - | 3,14 | - | 48 | - | 112 | - |
| 20 | 491648* | - | 1,55 | - | 3,68 | - | 99 | - | 367 | - |
| 25 | 491650 | - | 1,6 | - | 3,8 | - | 275 | - | 650 | - |
| 32 | 491655 | - | 2,0 | - | 4,7 | - | 550 | - | 1300 | - |
| 14x51 | | | | | | | | | | |

* 1100V DC

PHOTOVOLTAIC FUSE-LINKS

TECHNICAL **gPV** FUSE-LINKS FOR PHOTOVOLTAIC APPLICATIONS
t-I CHARACTERISTICS & POWER DISSIPATION

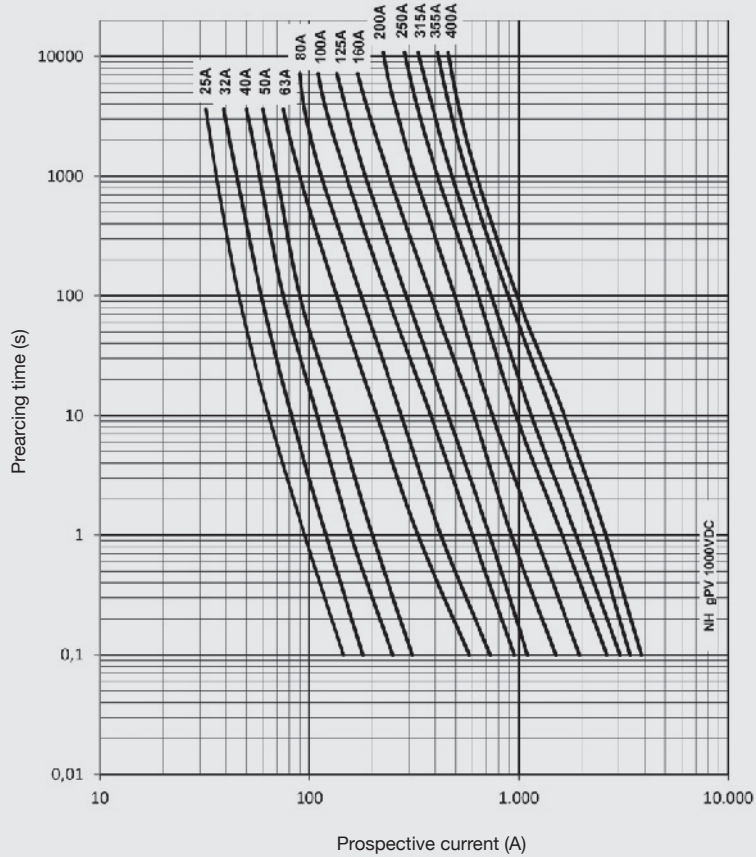
10x85



| RATED CURRENT (A) | REFERENCE | POWER DISSIPATION (W @ 0,7 In) | POWER DISSIPATION (W @ In) | PREARcing I ² t (A ² s) | OPERATING I ² t (A ² s) | |
|----------------------|-----------|-----------------------------------|-------------------------------|--|--|------|
| 1500V DC | 2 | 492202 | 1,28 | 3,42 | 0,8 | 1,1 |
| | 4 | 492205 | 1,16 | 2,91 | 13 | 17 |
| | 6 | 492210 | 1,10 | 2,65 | 65 | 84 |
| | 8 | 492215 | 1,16 | 2,79 | 175 | 225 |
| | 10 | 492220 | 1,81 | 4,38 | 209 | 269 |
| | 12 | 492225 | 1,83 | 4,43 | 400 | 515 |
| 1200V DC | 16 | 492230 | 1,75 | 4,13 | 136 | 269 |
| | 20 | 492235 | 2,13 | 5,14 | 242 | 478 |
| | 25 | 492240 | 2,28 | 5,48 | 545 | 1075 |

TECHNICAL **gPV** FUSE-LINKS FOR PHOTOVOLTAIC APPLICATIONS
t-I CHARACTERISTICS & POWER DISSIPATION

- NH1
- NH2
- NH3



| | RATED CURRENT (A) | REFERENCE | POWER DISSIPATION (W @ 0,7 I _n) | POWER DISSIPATION (W @ I _n) | PREARCING I ² t (A ² s) | OPERATING I ² t (A ² s) |
|------------|----------------------|-------------|--|--|--|--|
| | | 1000V DC | 1000V DC | 1000V DC | 1000V DC | 1000V DC |
| NH1 | 25 | 373210 | 5,2 | 12,5 | 62 | 94 |
| | 32 | 373215 | 6,3 | 15,5 | 122 | 184 |
| | 40 | 373225 | 6,7 | 16,6 | 302 | 454 |
| | 50 | 373230 | 7,5 | 18 | 562 | 844 |
| | 63 | 373235 | 8,2 | 20 | 1210 | 1815 |
| | 80 | 373240 | 10 | 27 | 2250 | 3375 |
| | 100 | 373245 | 11 | 28 | 4000 | 6000 |
| | 125 | 373250 | 12,5 | 32 | 6500 | 9700 |
| | 160 | 373255 | 10,0 | 25,0 | 10300 | 19800 |
| | 200 | 373260 | 12,5 | 30,0 | 19900 | 38300 |
| NH2 | 200 | 373350 | 11,4 | 28,0 | 18700 | 36400 |
| | 250 | 373360 | 13,0 | 33,3 | 36800 | 71500 |
| NH3 | 200 | 373425 | 19,5 | 48,0 | 21700 | 31700 |
| | 250 | 373435 | 20,5 | 51,5 | 41000 | 60000 |
| | 315 | 373445 | 26,2 | 66,0 | 76000 | 111500 |
| | 355 | 373450 | 18,0 | 46,5 | 74700 | 130700 |
| | 400 | 373455 | 20,0 | 51,0 | 104400 | 182600 |

PHOTOVOLTAIC FUSE-LINKS

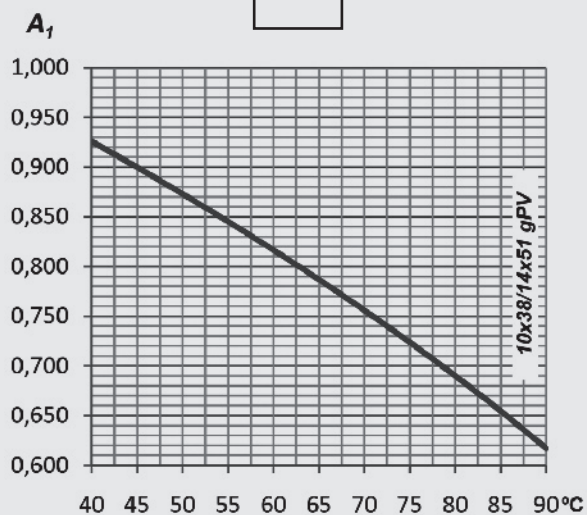
TECHNICAL
gPV FUSE-LINKS FOR PHOTOVOLTAIC APPLICATIONS
AMBIENT TEMPERATURE DERATING FACTOR

10x38
14x51

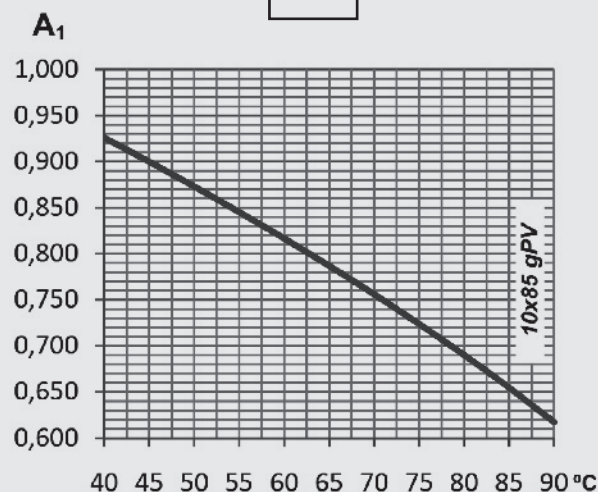
10x85

NH1
NH2
NH3

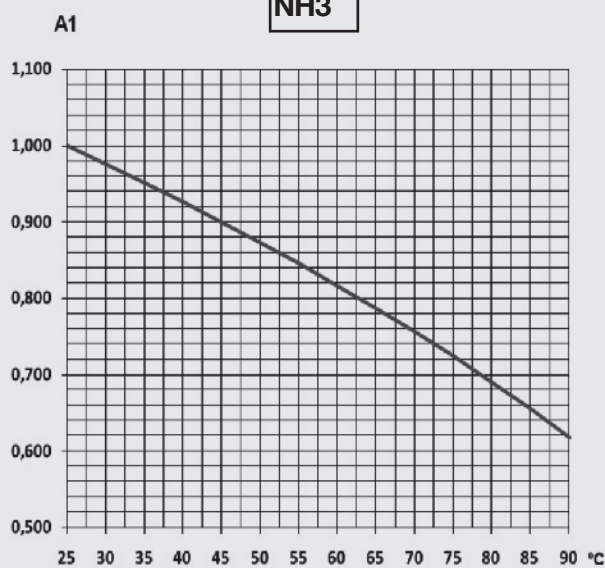
10x38
14x51



10x85



NH1
NH2
NH3



| t_a (°C) | A_1 |
|---------------|-------|
| 40 | 0,92 |
| 45 | 0,90 |
| 50 | 0,87 |
| 55 | 0,85 |
| 60 | 0,82 |
| 65 | 0,79 |
| 70 | 0,76 |
| 75 | 0,72 |
| 80 | 0,69 |

THE PROTECTION FORMULA

BY  **Electric**

ELECTRONIC



CYLINDRICAL



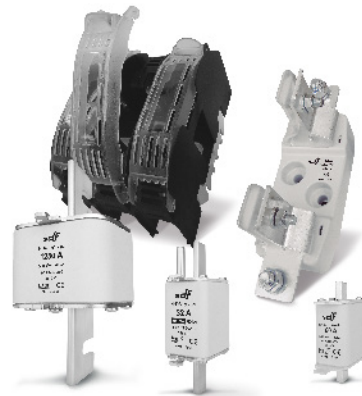
PHOTOVOLTAIC



RAPIDPLUS



NH



SPECIAL FUSES



DOMESTIC



D & DO



TRANSFORMERS





HEAD OFFICE & FACTORY

SILICI, 67-69
08940 CORNELLA DE LLOBREGAT
BARCELONA
SPAIN
Tel. +34 93 377 85 85
Fax +34 93 377 82 82

EXPORT SALES

Tel. +34 93 475 08 64
Fax +34 93 480 07 75
export@df-sa.es

NATIONAL SALES

Tel. 93 475 08 64
Fax 93 480 07 76
comercial@df-sa.es

www.df-sa.es



**PROTECTING
THE WORLD**

