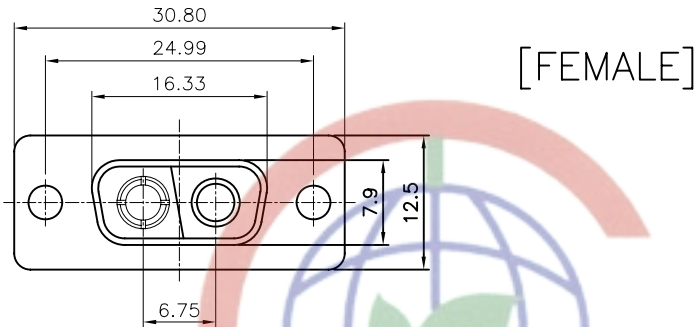
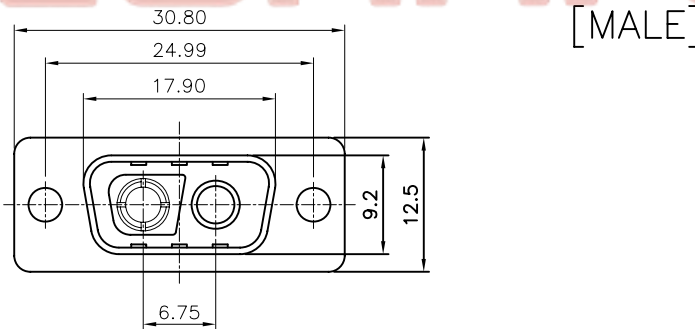
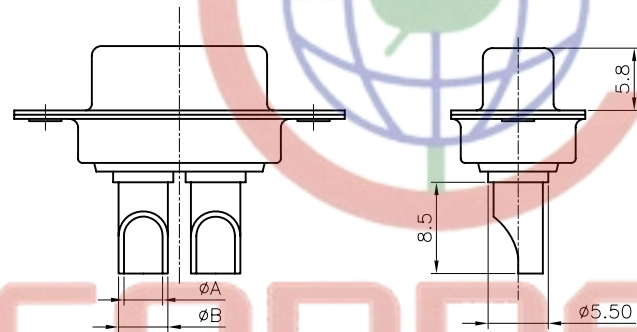


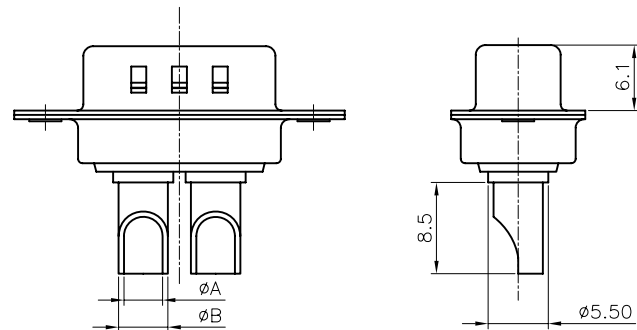
REV.	DESCRIPTION	DRAWN	CHECKED	APPROVED
A	NEW RELEASE	YCH 01/10/08'	~	



[FEMALE]



[MALE]



NOTES:

- ELECTRICAL CHARACTERISTICS:
  - CONTACT RESISTANCE: 20mΩ Max. INITIAL.
  - DIELECTRIC WITHSTANDING VOLTAGE: 500V AC(rms)FOR 1 MINUTE.
  - INSULATION RESISTANCE: 1000MΩ Min.
  - CURRENT RATING: 40A.
  - VOLTAGE RATING: 300V.
- ENVIRONMENT CHARACTERISTICS:
  - TEMPERATURE RANGE: -40° C ~ +105° C.
- MECHANICAL CHARACTERISTICS:
  - DURABILITY: 500 CYCLES.
  - CONTACT RETENTION FORCE: 1Kgf MINIMUM.
- MATERIALS:
  - SHELL: SPCC.
  - CONTACT: COPPER ALLOY.
  - INSULATOR: THERMOPLASTIC UL 94V-0, GLASS FIBER FILLED.
- PART NUMBER CODE:
 

DS1033-04- X X X X X

- CURRENT RATING
- 10A
  - 20A
  - 30A
  - 40A

- CONTACT PLATING
- 8: FULL GOLD FLASH  
C: FULL 3u: GOLD

- SHELL PLATING
- N: FORNT SHELL NICKEL, BACK SHELL TIN

- HOUSING COLOR
- B: BLACK  
W: WHITE  
L: BLUE

- CONNECTOR TYPE
- M: MALE  
F: FEMALE

TYPE	CURRENT RATING	$\phi A$	$\phi B$
1	10A	$\phi 1.7$	$\phi 2.5$
2	20A	$\phi 2.7$	$\phi 3.6$
3	30A	$\phi 3.6$	$\phi 4.5$
4	40A	$\phi 4.6$	$\phi 5.5$

GENERAL TOLERANCE	ANGLE TOLERANCE	PROJECTION	TITLE	MACHINE PIN D-SUB 1+1
X. ±0.60	X. ±5°	mm		SOLDER TYPE
.X ±0.38	.X ±3°	A4	SHEET SIZE	SERIES DS1033-04 SERIES
.XX ±0.25	.XX ±2°			
DRAWING TYPE	CUSTOMER	<b>晨翔电子有限公司</b> <b>CONNFLY ELECTRONIC CO. LTD</b>		
SCALE	1:1 SHEET 1 OF 1			
DRAWING NO.	C-DS1033-04-XXXX-A			

Tel: 86-574-63508787  
 Fax: 86-574-63510817  
 E-mail: sale@zhenqin.com.cn  
<http://www.zhenqin.com.cn>

P.C: 315333