



ISSUE 12; February 2012 - RoHS 2011/65/EU

Description

- Leaded crystal
 - Suitable for real time clock applications
 - Press sealed metal can
 - Available in two sizes 3x8mm and 2x6
 - Please see our CFPX-56 for an SMD alternative

Frequency Range

- Frequency 32.768kHz
- Frequency Tolerance ±20ppm

General Specification

- Load Capacitance (CL) 6.0pF to 12.5pF
- Drive Level 1.0µW max
- Ageing ±5ppm max per year
- Shunt Capacitance (C0) 1.6pF typical

Operable Temperature Range

- 10 to 60°C

Frequency Stability

- Frequency Stability Coefficient: -0.035/°C² typical

Environmental Parameters

- Operable Temperature Range: -10 to 60
- Storage Temperature Range: -40 to 85°C
- Drop: 75cm drop (3 times) onto hard wooden board

Ordering Information (*minimum required)

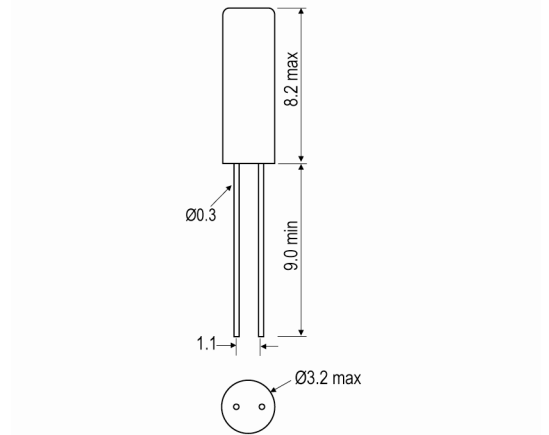
- Frequency*
 - Model*
 - Variant*
 - Frequency Tolerance (@25°C)*
 - Load Capacitance*
- Example
 - 32.768kHz WATCH-3x8
 - 20I-I-12.5

Packing Details

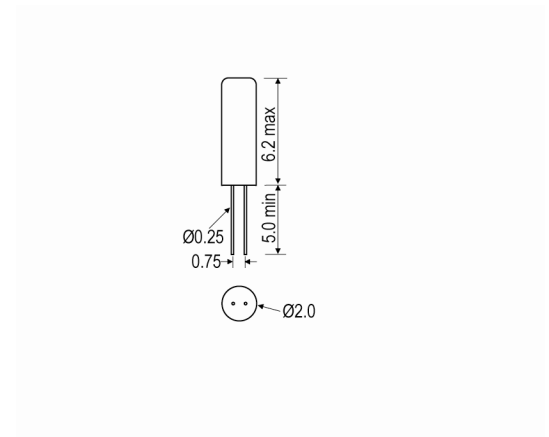
- Pack Style: **Bulk** Loose in bulk pack
- Pack Size 1,000
- Alternative packing options available



Outline (mm) -3X8 = -3X8



-2X6 = -2X6



Sales Office Contact Details:

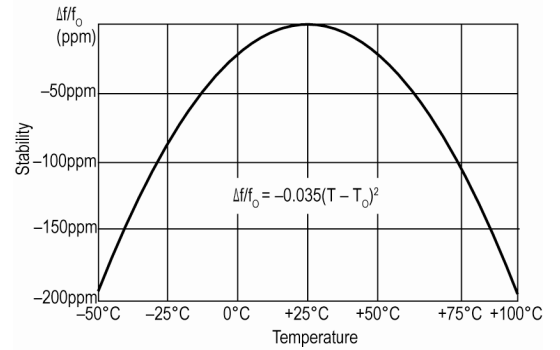
UK: +44 (0)1460 270200
Germany: +49 (0)7264 9145-0

France: Opening 6th March 2012
USA: +1 (0) 650 798 5047

Email: info@iqdfrequencyproducts.com
Web: www.iqdfrequencyproducts.com



Typical Frequency Stability Characteristics



Electrical Specification - maximum limiting values

Frequency Range	Frequency Tolerance	Typical Frequency Stability Coefficient	Temperature Range	ESR Max	Vibration Mode
32.768kHz	±20ppm	-0.035ppm/°C ²	-10 to 60°C	50kΩ	Tuning Fork

This document was correct at the time of printing; please contact your local sales office for the latest version

Sales Office Contact Details:

UK: +44 (0)1460 270200
Germany: +49 (0)7264 9145-0

France: Opening 6th March 2012
USA: +1 (0) 650 798 5047

Email: info@iqdfrequencyproducts.com
Web: www.iqdfrequencyproducts.com