

# Board Level Cooling – High Power Extruded 6390



## BOARD LEVEL COOLING - High Power Extruded 6390

High Power Extruded 6390 is a series of dual radial board level heat sinks designed to cool TO-218, TO-220, TO-220-single gauge, TO-247, and Multiwatt devices. Representative image only.

## ORDERING INFORMATION

Part Number	Device Type
6396BG	TO-218, TO-220, TO-220-single gauge
6396B-P2G	TO-220, TO-220-single gauge
6398BG	TO-220, TO-220-single gauge
6399BG	TO-220, TO-220-single gauge
6400BG	TO-218, TO-220, TO-220-single gauge, TO-247, Multiwatt
6400B-P2G	TO-220, TO-220-single gauge



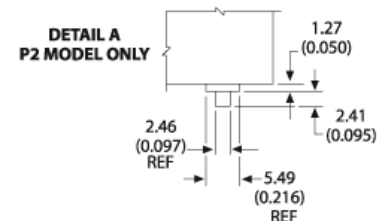
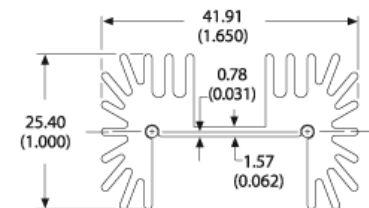
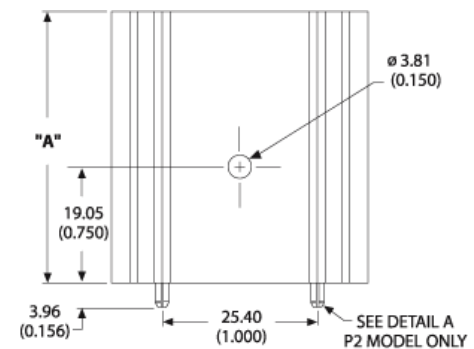
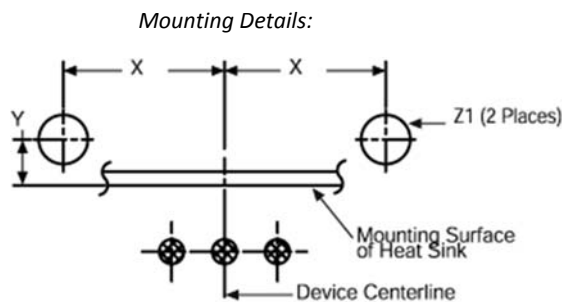
## HEAT SINK DETAILS

Property	Details
Material	Aluminum
Finish	Black Anodize
Device Attachment Options	Requires Mounting Kit
Thermal Interface Material	-

Property	Details
Heat Sink Width (mm)	41.91
Heat Sink Length (mm)	25.4
Heat Sink Height (mm)	See "A" Dim below
Heat Sink Mounting Direction	Vertical

Drawing dimensions are shown in mm, (in)

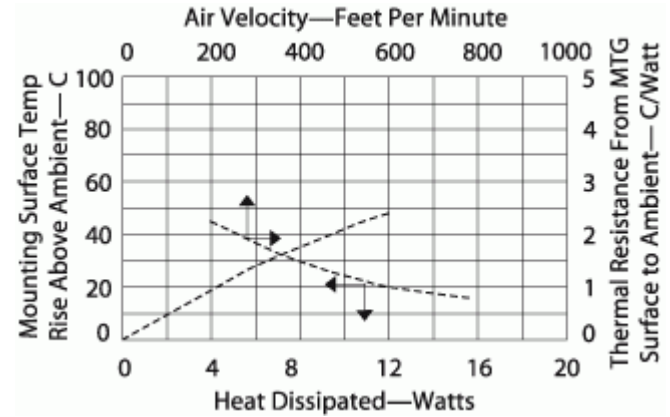
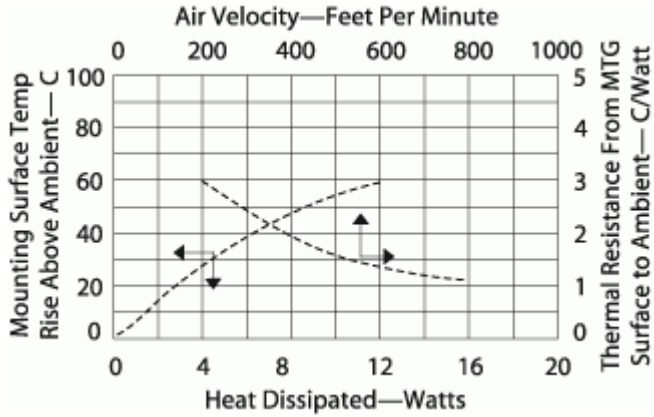
Part Number	"A" Dim	"X" Dim	"Y" Dim	"Z" Dim
6396BG	25.4	12.70 (0.500)	0.79 (0.031)	2.67 (0.105)
6396B-P2G	25.4	12.70 (0.500)	0.79 (0.031)	2.67 (0.105)
6398BG	38.1	12.70 (0.500)	0.79 (0.031)	2.67 (0.105)
6399BG	5.8	-	-	-
6400BG	63.5	-	-	-
6400B-P2G	63.5	12.70 (0.500)	0.79 (0.031)	2.67 (0.105)



# Board Level Cooling – High Power Extruded 6390

Part Number: 6398BG

Part Number: 6399BG



Part Number: 6396BG & 6396B-P2G

Part Number: 6400BG & 6400B-P2G

