

# SuperNine® USB 2.0 type A

## MIL-DTL-38999 Series III Type connectors

### 233-343 Receptacle with solder cup termination



USB 2.0 AND 3.0 CONNECTORS



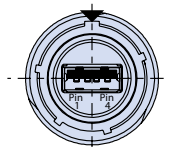
Jam Nut Receptacle  
Front View



Jam Nut Receptacle  
Rear View

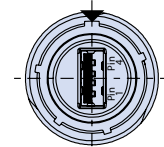
| Part Number Development             |  |    |    |     |   |   |   |   |
|-------------------------------------|--|----|----|-----|---|---|---|---|
| Sample Part Number                  | 233-343                                      | NF | 00 | -15 | 2 | A | N | H |
| Basic Number                        | 233-343                                      |    |    |     |   |   |   |   |
| Finish                              | See Material and Finish table                |    |    |     |   |   |   |   |
| Connector Style <sup>1</sup>        | See Connector Style table                    |    |    |     |   |   |   |   |
| Shell Size                          | 15   |    |    |     |   |   |   |   |
| USB Performance                     | 2 = USB 2.0                                  |    |    |     |   |   |   |   |
| USB Interface Type                  | A = Type A                                   |    |    |     |   |   |   |   |
| Alternate Key Position <sup>1</sup> | A, B, C, D, E, N = Normal; per MIL-DTL-38999 |    |    |     |   |   |   |   |
| USB Orientation                     | H = Horizontal V = Vertical                  |    |    |     |   |   |   |   |

USB Receptacle Orientation Options (Partial Views Shown)



Horizontal

▼ = Master Keyway



Vertical

| Material and Finish |                              |
|---------------------|------------------------------|
| NF                  | Aluminum/cadmium, olive drab |
| M                   | Aluminum/electroless nickel  |
| MT                  | Alumimun/nickel PTFE         |
| ZR                  | Aluminum/black zinc-nickel   |

| Connector Style |   |
|-----------------|---|
| 07              | Rear panel mount, jam nut receptacle          |
| 00              | Wall mount receptacle with slotted holes      |
| DO              | Wall mount receptacle with round holes        |
| CM              | Wall mount receptacle with metric clinch nuts |

| USB 2.0 Wiring |         |                   |             |                              |
|----------------|---------|-------------------|-------------|------------------------------|
| Pin            | Name    | Cable Color (USB) | Description | Recommended Wire Sizes (AWG) |
| 1              | (V Bus) | Red               | +5 V        | 22                           |
| 2              | (D-)    | White             | Data -      | 28                           |
| 3              | (D+)    | Green             | Data +      | 28                           |
| 4              | (GND)   | Black             | Ground      | 22                           |

*All external dimensions, features, etc. compliant with D38999/20, /24, &/26. Consult factory for additional information.*

**NOTES**

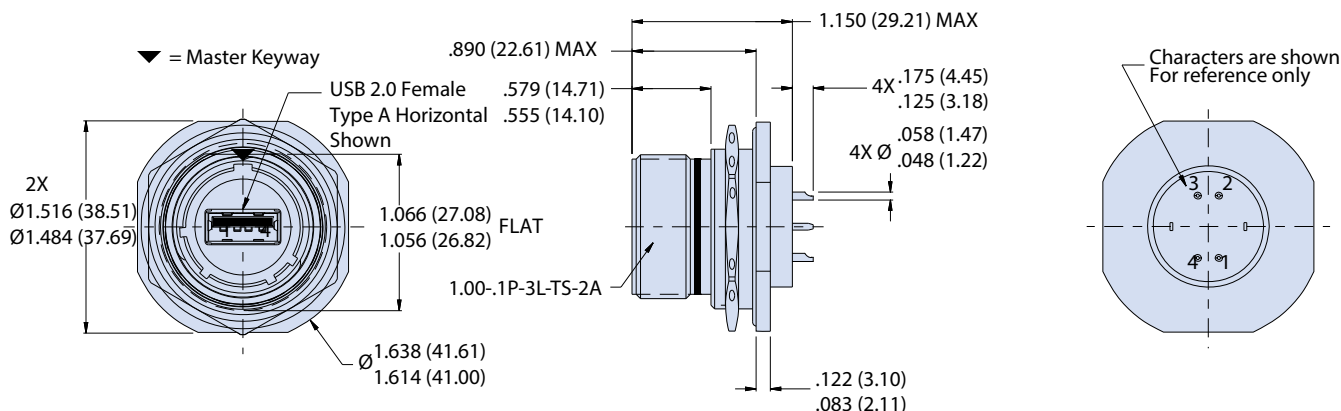
- See Section A for alternate key/keyway positions and panel cutout dimensions
- Front panel mount only
- All external dimensions, features, etc. Compliant with D38999/20, /24 & /26. Consult factory for additional information
- Meets IP67 in unmated condition, IP68 mated
- Receptacle has USB female receptacle
- Materials and finishes
  - Shell, jam nut: aluminum ally
  - insulators: high grade 4 rigid dielectric/n.a.
  - contacts: copper alloy, god plated
  - seals: silicone based elastomer
  - USB (shell/contacts: copper alloy
  - dielectric: hi-temp thermoplastic PA9T UL94V-0
  - Hardware: stainless steel/passivated

# SuperNine<sup>®</sup> USB 2.0 type A MIL-DTL-38999 Series III Type connectors 233-343 Receptacle with solder cup termination



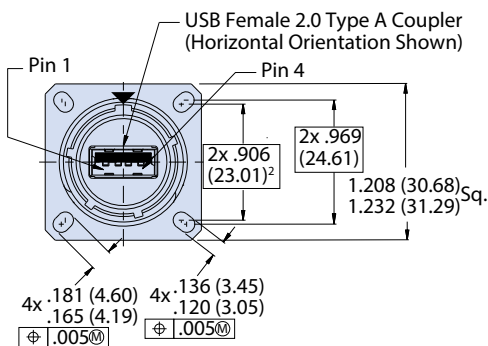
USB 2.0 AND 3.0 CONNECTORS

## 07 - REAR PANEL MOUNT, JAM NUT RECEPTACLE

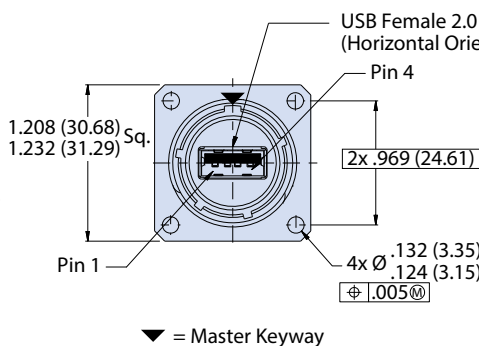


## 00, D0 AND CM - WALL MOUNT RECEPTACLES

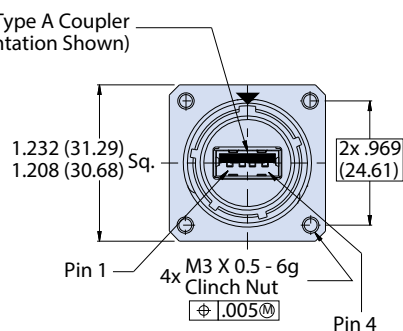
### 00 - Slotted Hole Receptacle Face View



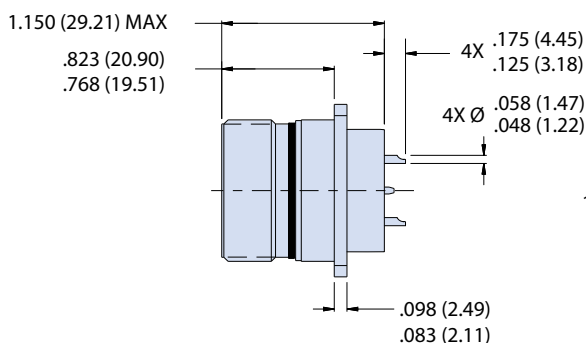
### D0 - Round Hole Receptacle Face View



### CM - Clinch Hole Receptacle Face View



### 00 and D0 - Receptacle Side View



### CM - Receptacle Side View

