

PLEASE CHECK WWW.MOLEX.COM FOR LATEST PART INFORMATION

Part Number: [130055-0001](#)
Status: **Active**
Overview: [industrial ethernet solutions](#)
Description: Brad® RJ-Lnxx™ Ethernet Pass-Through RJ-45 Female Receptacle Shielded

Documents:

[Drawing \(PDF\)](#) [RoHS Certificate of Compliance \(PDF\)](#)

General

Product Family	Industrial Receptacles
Series	130055
IP Rating	IP67
Overview	industrial ethernet solutions
Product Name	Brad®, RJ-Lnxx®
Type	Bulkhead Feed-Through
UPC	78678844313

Physical

Coupling Type	External Thread
Gender	N/A
Keyway	None
Length	N/A
Material - Component	ABS
Mounting Thread Size	1" - 14 UNC
Net Weight	27.100/g
Orientation	Straight
Panel Mount	N/A
Poles	N/A
Temperature Range - Operating	-20°C to +80°C
Wire Size AWG	N/A
Wire/Cable Type	N/A

Electrical

Current - Maximum per Contact	1.5A
Voltage - Maximum	125V DC

Material Info

Old Part Number	ENSP1F5
-----------------	---------

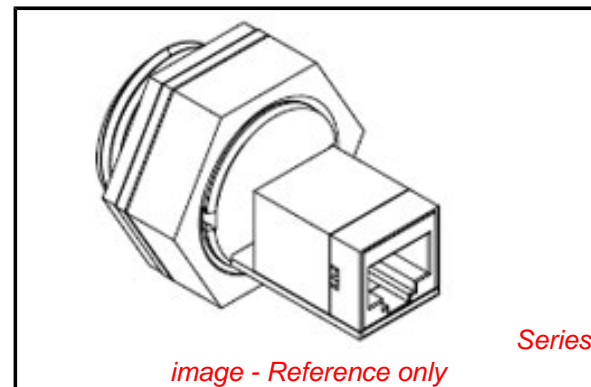


image - Reference only

EU RoHS

**ELV and RoHS
Compliant**

REACH SVHC

Not Reviewed

Low-Halogen Status

Not Reviewed

China RoHS



**Need more information on product
environmental compliance?**

Email productcompliance@molex.com
 For a multiple part number RoHS Certificate of
 Compliance, [click here](#)

Please visit the [Contact Us](#) section for any
 non-product compliance questions.

Search Parts in this Series

130055Series