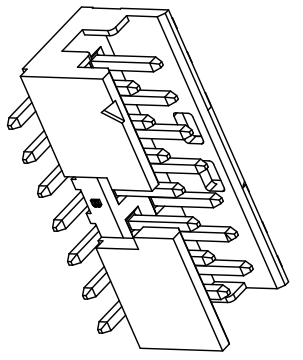
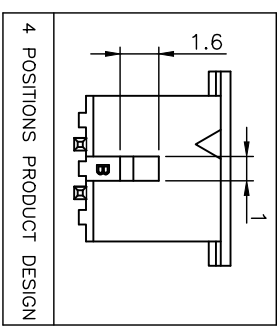
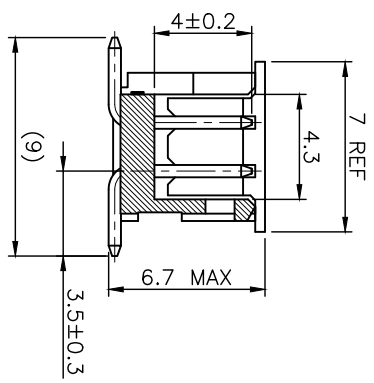
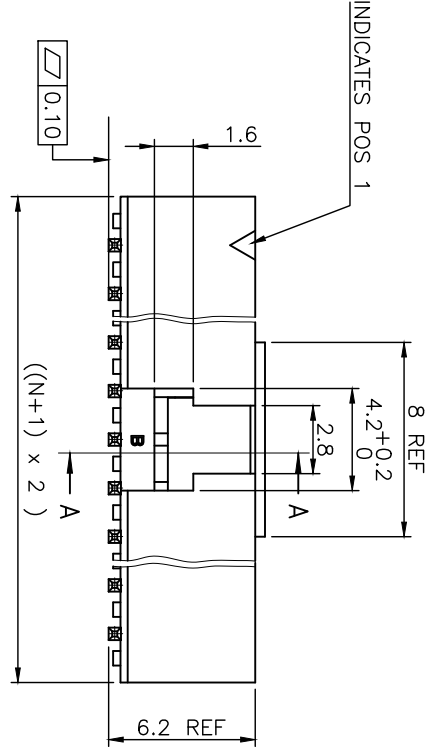
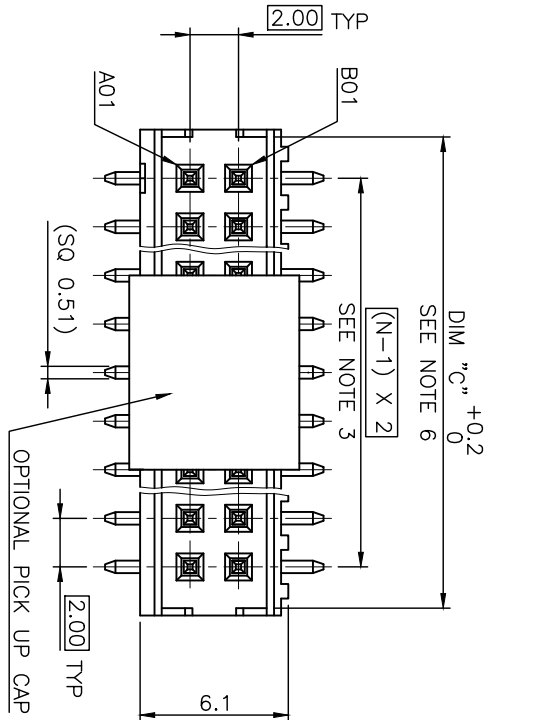


PRODUCT NUMBER
98424-Y52-XX-XXXLF

- PLATING _____
- S = 0.38µm GOLD/GXT ON CONTACT AREA
2µm MIN MATTE TIN ON TAIL
- G = 0.76µm GOLD/GXT ON CONTACT AREA
2µm MIN MATTE TIN ON TAIL
- F = GOLD FLASH ON CONTACT AREA
2µm MIN MATTE TIN ON TAIL
- T = 2.0-6.0µm FULL MATTE TIN
- 1.27µm Ni MIN UNDERLAYER
- ROHS COMPATIBLE, SEE NOTE 8
- POLARIZATION (SEE NOTE 7)
- PACKAGING OPTIONAL LETTER (SEE NOTE 5)
- TOTAL NB OF POSITIONS, 04 TO 50
- COLOR OPTION NOTE 1

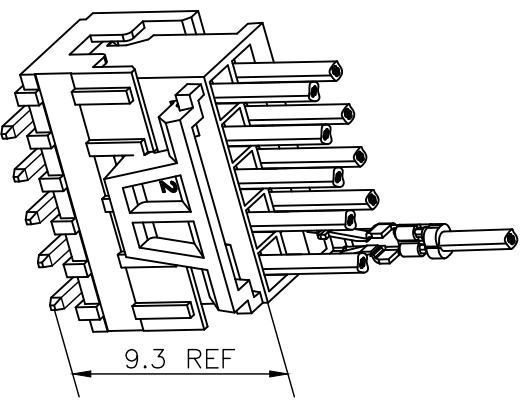
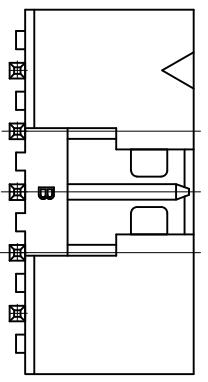
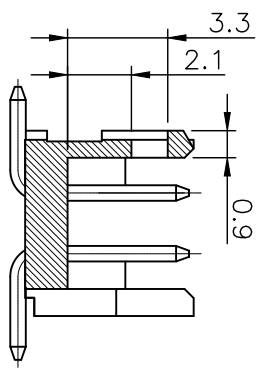
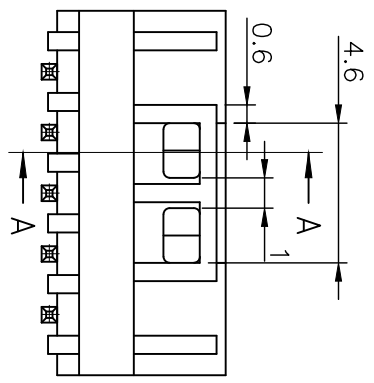
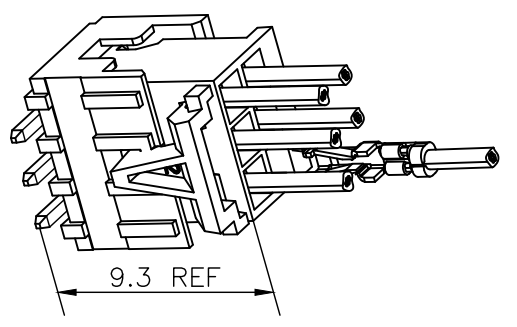
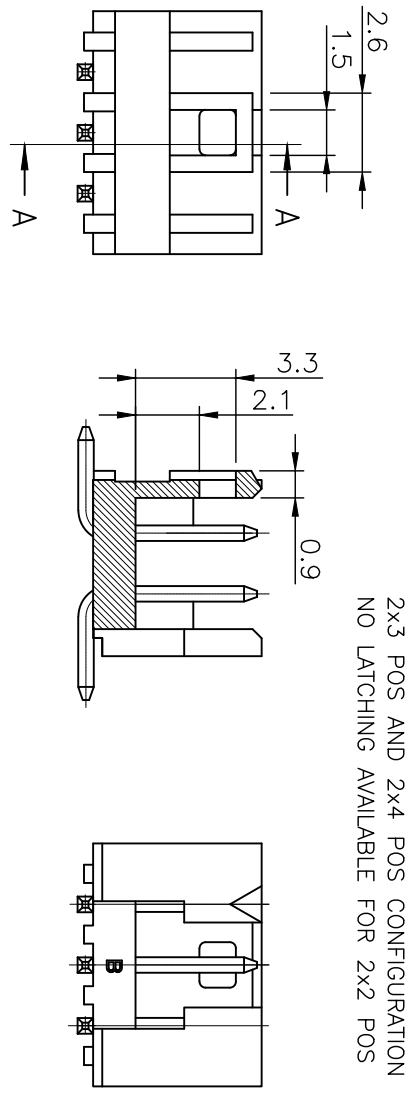


NOTES:

- MATERIAL HOUSING: HIGH TEMP. THERMOPLASTIC UL-94V0
- STANDARD COLOR CREAM
B = OPTIONAL COLOR BLACK
- MATERIAL TERMINAL: COPPER ALLOY
- TO DETERMINE DIMENSIONS:
N = NUMBER OF POSITIONS PER ROW
- 7N MIN. PIN RETENTION IN EITHER DIRECTION.
- PACKAGING:
= STANDARD PACKAGING IN POLYBAGS
- POLYBAGS PACKAGING WHEN POLARISATION FEATURE APPLICABLE
U = TUBE AVAILABLE FROM 08 TO 50 POS
A = TAPE AND REEL WITH PICK UP CAP, AS AVAILABLE
K = TAPE AND REEL WITHOUT PICK UP CAP, AS AVAILABLE:
HK = TAPE AND REEL WITHOUT PICK UP CAP, CUSTOM WIDTH 32MM ONLY AVAILABLE FOR 98424-Y52-04HKL
C = TAPE AND REEL WITH SPECIAL LARGE CAP, ONLY FOR 98424-Y52-06CLF FOR ALL SPECIAL PACKAGING, FCI TO BE CONTACTED
UV = TUBE WITHOUT PICK UP CAP FOR CUSTOMER DEDICATED PART
AV = TAPE & REEL WITH PICK UP CAP FOR CUSTOMER DEDICATED PART
KV = TAPE & REEL WITHOUT PICK UP CAP FOR CUSTOMER DEDICATED PART
EXAMPLE: N = 7
DIM "C" = (N x 2) + 1.4
DIM "C" = (7 x 2) + 1.4 = 15.4 mm
- FOR POLARIZATION, SPECIFIED PIN
EXAMPLE : A03 = ROW A, POSITION 03 TO OMIT PIN OMIT FROM PRODUCT NUMBER IF THIS FEATURE IS NOT APPLICABLE
- ROHS COMPATIBLE PRODUCT SPECIFICATIONS
- PLATING:
- "LF" MEANS THE PRODUCT IS LEAD-FREE,
2µm MINIMUM MATTE TIN OVER 1.27µm MINIMUM NICKEL UNDERPLATE.
- MANUFACTURING PROCESS COMPATIBILITY
- THE HOUSING WILL WITHSTAND EXPOSURE TO 260°C PEAK TEMPERATURE FOR 30 SECONDS MAX IN A CONVECTION, INFRARED OR VAPOR PHASE OR REFLOW OVEN.
- LABELLING:
- MEETS PACKAGING SPECS AS PER GS-14-920
d - THIS PRODUCT MEETS EUROPEAN DIRECTIVES AND OTHER COUNTRY REGULATIONS AS DISCRIBED IN GS-47-0004.

mat'l. code	SEE NOTES	surface	tolerance	projection	product family
thr	ecn no. dr	ISO 1302	ISO 406 ISO	mm	MINITEK
W	B-26204 JCA 17.02.27	tolerances unless otherwise specified	XX ±0.3	mm	SHR HEADER
X	F-35976 DDE 20.01.24	angles	±0.13	mm	2.00 VERTICAL SMT
Y	F-40048 DDE 21.02.19	linear	XXXX ±0.05	scale 1:1	
T	B-19797 AMA 14.12.16	dr	L.MULIN	04.09.27	98424
U	B-19988 LMU 15.01.13	engn	J.COMPAIGNON	04.09.27	sheet 1 of 2 size
V	F-23051 AMA 16.01.15	qppd	JMC	04.09.27	A3
sheet revision	X B				CUSTOMER Drawing
index sheet	1 2				

2x3 POS AND 2x4 POS CONFIGURATION
NO LATCHING AVAILABLE FOR 2x2 POS



2x5 POS UP TO 2x25 POS CONFIGURATION

LATCHING FEATURES WHEN USED IN COMBINATION
WITH ACTIVE LATCH HOUSING 10073599

mat'l. code		surface		tolerance		projection		product family	
SEE NOTES		ISO 1302		ISO 406		100		MINITEK	
thr	ecn no	dr	date	tolerances unless otherwise specified		mm		title	
A	F08-0113	LMU	08.01.17	linear	XX	±0.3	→	SHR HEADER	
B	F-35976	DDE	20.01.24	XXXX	±0.13	←	←	2.00 VERTICAL SMT	
				XXXX	±0.05	scale 1:1		dwg no	
								98424	
sheet	revision			dr	L.WULIN	07.11.06		sheet 2 of - size	
index	sheet			enfr	J.COMPAGNON	07.11.06		A3	
				chr	J.M.C	07.11.06		CUSTOMER Drawing	
				qppd					