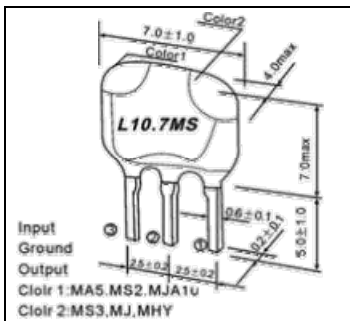


# LT10.7 SERIES CERAMIC FILTER

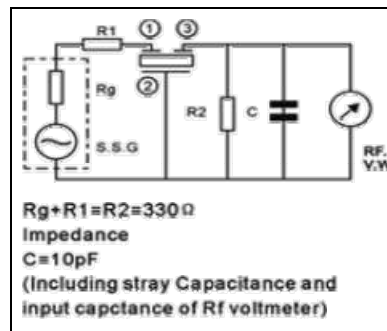
## TECHNICAL CHARACTERISTICS

Part Number		3db Band Width (KHz)	20db Band Width (KHz)	Insertion Loss (db)	Spurious Affenuation (9-12MHz) (db) min
Dip Type	SMD Type				
LT10.7MA5	LTCA10.7MA5	$280 \pm 50$	650	6	30
LT10.7MS2	LTCA10.7MS2	$230 \pm 50$	600	6	40
LT10.7MS3		$180 \pm 40$	520	7	40
LT10.7MJ		$150 \pm 40$	400	10	38
LT10.7MA5A10	LTCV10.7MA5	$280 \pm 50$	590	$2.5 \pm 2.0$	30
LT10.7MS2A10	LTCV10.7MS2	$230 \pm 50$	520	$3.0 \pm 2.0$	35
LT10.7MS3A10	LTCV10.7MS3	$180 \pm 40$	470	$3.5 \pm 1.5$	35
LT10.7MJA10		$150 \pm 40$	360	$4.5 \pm 2.0$	35
LT10.7MA19		$\geq 350$	950	$3 \pm 2$	20
LT10.7MA20		$330 \pm 50$	680	$4 \pm 2$	30
LT10.7MHY		$110 \pm 30$	350	$7 \pm 2$	30
LT10.7MFP		$\leq 20$	95	6.0max	24

### DIMENSION (mm)



### TEST CIRCUIT



### CHARACTERISTICS

