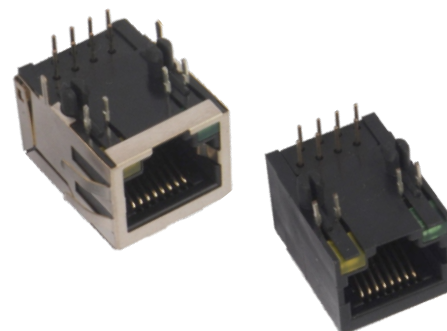


Modular Jacks

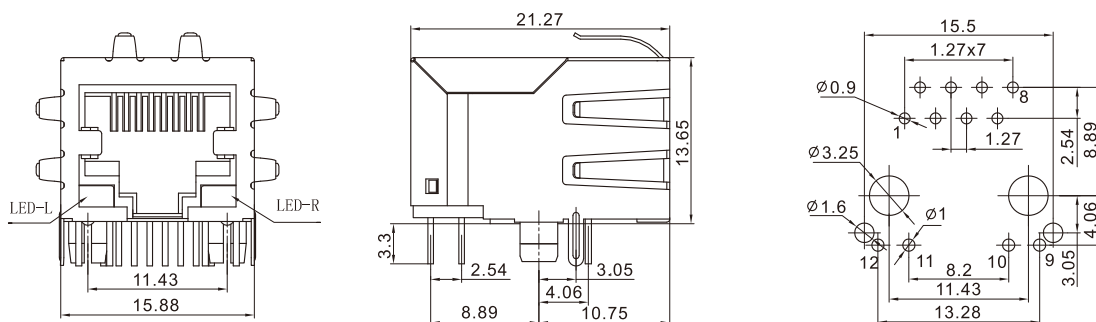
KLS12-107L

Materials:

- HOUSING : PBT (UL 94V-0)
PA46 (UL 94V-0)
PA66 (UL 94V-0)
- CONTACT WIRE :
 - 1. Flat Pins: 0.35MM THICKNESS PHOSPHOR BRONZE ALLOY SELECTIVE GOLD PLATING OVER NICKEL
 - 2. Round Pins: DIAMETER 0.46MM PHOSPHOR BRONZ GOLD PLATING OVER NICKEL
- SHIELD : 0.2-0.25MM THICKNESS BRASS WITH NICKEL PLATED



XII



PC BOARD LAYOUT

CODE	LED-L (LEFT)	LED-R (RIGHT)	CODE	LED-L (LEFT)	LED-R (RIGHT)
0	NO LED	NO LED	A	GREEN/RED (绿/红)	GREEN/RED (绿/红)
1	GREEN (绿色)	YELLOW (黄色)	B	GREEN/YELLOW (绿/黄)	GREEN/YELLOW (绿/黄)
2	YELLOW (黄色)	GREEN (绿色)	C	YELLOW (黄色)	GREEN/ORANGE (绿/橙)
3	GREEN (绿色)	GREEN (绿色)	D	YELLOW (黄色)	GREEN/YELLOW (绿/黄)
4	RED (红色)	GREEN (绿色)	E	GREEN (绿色)	YELLOW/ORANGE (黄/橙)
5	YELLOW (黄色)	YELLOW (黄色)	F	GREEN (绿色)	GREEN/ORANGE (绿/橙)
6	GREEN (绿色)	RED (红色)			



ORDER INFORMATION

KLS12-107L-X-8PXC-X-X-X-X-X-X-X

