



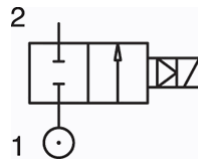
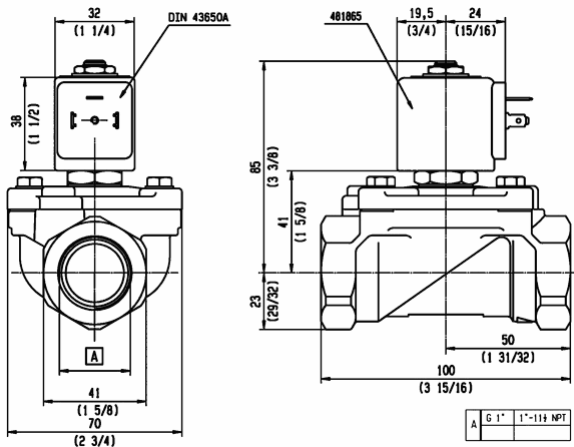
## 2/2 Normally Closed

Valves for dry or lubricated air, neutral gases and liquids

Order Code : 221G6136-2995-481865C2

<b>Valve type</b>	2/2 Normally Closed	<b>Fluids</b>	air water oil
		<b>Actuation type/Voltage</b>	24 VDC
		<b>Voltage tolerance</b>	+/-10%
<b>Port size</b>	1"	<b>Options</b>	
<b>Body Material</b>	316L Stainless St.		SIL
<b>Pressure min</b>	0	<b>Ambient T°min</b>	-10
<b>Pressure max</b>		<b>Ambient T°max</b>	50
<b>Orifice diameter</b>	25	<b>Kv</b>	/ 170
<b>T°fluid min</b>	-10	<b>ATEX zone</b>	
<b>T°fluid max</b>	100	<b>ATEX protection</b>	
<b>Power Max</b>	9W	<b>ATEX class</b>	F 155°C
<b>Sealing material</b>	FKM	<b>ATEX protection dust</b>	
<b>IP Level</b>	IP65	<b>ATEX protection gas</b>	

2/2



Valve only compatible with hydraulic oil and air/neutral gases