



Certifications & Ratings

- RoHS compliant
- NEMA 4X (Watertight only)
- IP66 (Watertight only)

Application

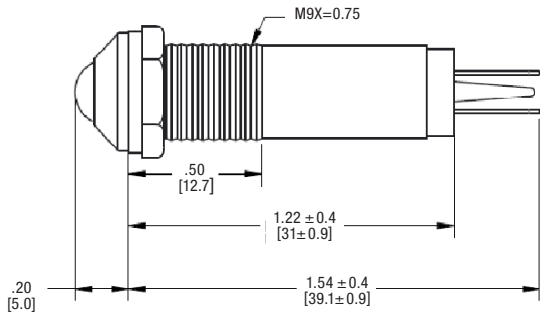
The 609 Series LED Panel Mount Indicators are designed for a variety of applications such as:

- Main power indication
 - Remote power indication
 - Status indication
 - Maintenance and warning indication
 - Instrumentation
- ... and many more!

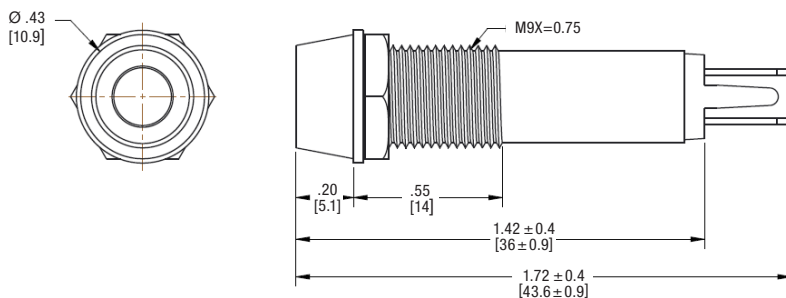
Dimensions

inches [mm]

Protruding



Recessed



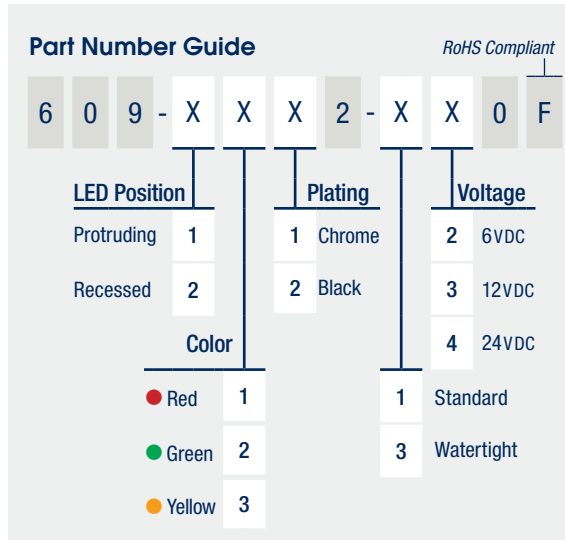
Mechanical Information

- Mounting Hole Size:** 0.374" (9.5 mm)
- Max Panel Thickness:** 0.374" (9.5 mm);
with Gasket: 0.318" (8.0 mm)
- Mounting Torque:** 0.362 lbs/ft (5 kg/cm)

Specifications

- Voltage Options:** 6, 12 & 24 V DC (no resistor required)
- Operating Temp:** -30°C to $+85^{\circ}\text{C}$ (-22°F to $+185^{\circ}\text{F}$)
- Storage Temp:** -40°C to $+85^{\circ}\text{C}$ (-40°F to $+185^{\circ}\text{F}$)
- Electrical Connection:** Solder terminals
- Housing:** Brass—Chrome or Black Plated
- Terminals:** Copper—Nickel Plated
- Lock washer:** Iron—Nickel Plated
- Nut:** Brass—Nickel Plated

Ordering Information 609 Series



Protruding LED

Part Number	Part Number	Color	Voltage (V DC)	Current (mA)	Intensity Typ. (mcd)	Plating		
Standard	Watertight							
609-1112-120F	609-1112-320F	Red	6	15	85	Chrome		
609-1212-120F	609-1212-320F	Green			115			
609-1312-120F	609-1312-320F	Yellow			90			
609-1112-130F	609-1112-330F	Red	12		85		Chrome	
609-1212-130F	609-1212-330F	Green			115			
609-1312-130F	609-1312-330F	Yellow			90			
609-1112-140F	609-1112-340F	Red	24		85	Chrome		
609-1212-140F	609-1212-340F	Green			115			
609-1312-140F	609-1312-340F	Yellow			90			
609-1122-120F	609-1122-320F	Red	6		15		Black	
609-1222-120F	609-1222-320F	Green						115
609-1322-120F	609-1322-320F	Yellow						90
609-1122-130F	609-1122-330F	Red	12			85		Black
609-1222-130F	609-1222-330F	Green				115		
609-1322-130F	609-1322-330F	Yellow				90		
609-1122-140F	609-1122-340F	Red	24	85		Black		
609-1222-140F	609-1222-340F	Green		115				
609-1322-140F	609-1322-340F	Yellow		90				

Recessed LED

Part Number	Part Number	Color	Voltage (V DC)	Current (mA)	Intensity Typ. (mcd)	Plating		
Standard	Watertight							
609-2112-120F	609-2112-320F	Red	6	15	85	Chrome		
609-2212-120F	609-2212-320F	Green			115			
609-2312-120F	609-2312-320F	Yellow			90			
609-2112-130F	609-2112-330F	Red	12		85		Chrome	
609-2212-130F	609-2212-330F	Green			115			
609-2312-130F	609-2312-330F	Yellow			90			
609-2112-140F	609-2112-340F	Red	24		85	Chrome		
609-2212-140F	609-2212-340F	Green			115			
609-2312-140F	609-2312-340F	Yellow			90			
609-2122-120F	609-2122-320F	Red	6		15		Black	
609-2222-120F	609-2222-320F	Green						115
609-2322-120F	609-2322-320F	Yellow						90
609-2122-130F	609-2122-330F	Red	12			85		Black
609-2222-130F	609-2222-330F	Green				115		
609-2322-130F	609-2322-330F	Yellow				90		
609-2122-140F	609-2122-340F	Red	24	85		Black		
609-2222-140F	609-2222-340F	Green		115				
609-2322-140F	609-2322-340F	Yellow		90				

Dialight reserves the right to make changes at any time in order to supply the best product possible. The most current version of this document will always be available at: www.dialightsignalsandcomponents.com

Warranty Statement: Except for the warranty expressly provided for [herein/above/below], Dialight disclaims any and all other warranties, express or implied, including, without limitation, any warranties of merchantability, fitness for a particular purpose, title, and noninfringement.

Mouser Electronics

Authorized Distributor

Click to View Pricing, Inventory, Delivery & Lifecycle Information:

Dialight:

[609-1122-130F](#) [609-2212-120F](#) [609-1312-130F](#) [609-2112-120F](#) [609-1212-130F](#) [609-1112-130F](#) [609-2212-130F](#)
[609-2312-130F](#) [609-2112-130F](#) [609-1122-120F](#) [609-1312-140F](#) [609-2212-140F](#) [609-1322-120F](#) [609-1322-130F](#)
[609-2322-130F](#) [609-2122-130F](#) [609-2222-120F](#) [609-2122-120F](#) [609-1222-120F](#) [609-1212-120F](#) [609-1312-120F](#)
[609-1112-120F](#) [609-2312-140F](#) [609-2322-140F](#) [609-2112-140F](#) [609-2122-140F](#) [609-2222-140F](#) [609-1112-140F](#)
[609-1122-140F](#) [609-1322-140F](#) [609-1212-140F](#) [609-1222-140F](#) [609-1222-130F](#) [609-2222-130F](#) [609-2322-120F](#)
[609-2312-120F](#) [609-2222-330F](#) [609-1222-340F](#) [609-1212-340F](#) [609-2222-340F](#) [609-1112-330F](#) [609-2122-330F](#)
[609-1122-330F](#) [609-2122-340F](#) [609-1122-340F](#) [609-1112-340F](#) [609-2122-320F](#) [609-1312-340F](#) [609-2322-330F](#)
[609-2312-340F](#) [609-1322-340F](#) [609-1122-320F](#) [609-2112-330F](#) [609-2222-320F](#) [609-1222-330F](#) [609-2312-330F](#)
[609-2212-330F](#) [609-1212-330F](#) [609-1222-320F](#) [609-1322-320F](#) [609-2322-320F](#) [609-2212-340F](#) [609-2312-320F](#)
[609-1225-140F](#)