



SERIES 77  
**Lipped, 90° Angle Shrink Boots**  
 770-003A Angled Boot, No Eyelet  
 How to Order



90° Boots



Lipped, right angle heat shrink boots provide mechanical and environmental protection from damage and debris. These shrink boots fit most standard boot adapters for circular connectors. All adhesive lined and unlined shrink boots are RoHS compliant. Shrink boots are water-tight when equipped with factory installed or user-installed adhesive. Lipped boots lock into boot groove located on adapter. Choose boot size based on adapter diameter and cable diameter.

C

| How to Order                      |  |             |          |          |           |           |            |
|-----------------------------------|--|-------------|----------|----------|-----------|-----------|------------|
| <b>Sample Part Number</b>         | <b>770</b>   | <b>-003</b> | <b>A</b> | <b>1</b> | <b>03</b> | <b>W1</b> | <b>-DH</b> |
| <b>Product Series</b>             | 770 = Series 77 shrink boot                            |             |          |          |           |           |            |
| <b>Basic Number</b>               | 003 = lipped boot                                      |             |          |          |           |           |            |
| <b>Angular Function</b>           | A = 90°  |             |          |          |           |           |            |
| <b>Material</b>                   | See material and adhesives table                       |             |          |          |           |           |            |
| <b>Boot Size</b>                  | 02, 03, 04, 05, 06, 07, 08, 09; see dimensions table   |             |          |          |           |           |            |
| <b>Adhesive Lined</b>             | Omit for no adhesive; see material and adhesives table |             |          |          |           |           |            |
| <b>Potting Port or Drain Hole</b> | PP = potting port    DH = drain holes    Omit for none |             |          |          |           |           |            |

| Material and Adhesive Compatibility |  |   |                           |                               |                                  |  |
|-------------------------------------|--|---|---------------------------|-------------------------------|----------------------------------|--|
| Material Code                       | Material Description (Compound No.)          | Hot Melt Adhesives  |                           |                               | High Performance Epoxy Adhesives |  |
|                                     |  | W1  | W2                        | W3 (TACOM approved)           | R                                | U  |
|                                     |  | High Temperature<br>-55°C to 125°C  | Standard<br>-55°C to 70°C | Elastomeric<br>-55°C to 125°C | Pre-Coat<br>-75°C to 150°C       | Two-Part<br>-75°C to 155°C   |
| 1                                   | High-Performance Semi-Rigid Elastomer (2025) | ●   | ●                         |                               | ●                                | Type U epoxy adhesive is compatible with all boot materials. Ordered separately, user-installed (779-001). Order boot with no adhesive lining. |
| 2                                   | Zero Halogen Semi-Rigid Polyolefin (2010)    | ●   | ●                         |                               | ●                                |  |
| 3                                   | General Purpose Flexible Polyolefin (2040)   |   | ●                         |                               |                                  |  |
| 5                                   | Viton Fluoroelastomer Blend (2050)           | ●   |                           | ●                             | ●                                |  |
| 6                                   | High Performance Elastomer Alloy (2051)      | ●   |                           | ●                             |                                  |  |
| 7                                   | Semi-Rigid Polyolefin (2071)                 | ●   | ●                         |                               |                                  |  |
| 8                                   | Low Outgassing Fluoropolymer Alloy (2008)    | Material Type 8 not available with pre-coat adhesive. Use Type U two-part epoxy |                           |                               |                                  |  |
| 9                                   | Low Temp Flexible Polyolefin (2013)          |   | ●                         |                               |                                  |  |

**NOTES**

1. See **Modification Codes** listed in Section A for material color options available for **Type 1 (compound 2025)** material.

| AS85049/141 Cross Ref. |                         |                 |
|------------------------|-------------------------|-----------------|
| Boot Size              | Glenair US Part Marking | AS85049/141 Ref |
| 02                     | A02                     |                 |
| 03                     | A03                     | 01              |
| 04                     | A04                     | 02              |
| 05                     | A05                     | 03              |
| 06                     | A06                     | 04              |
| 07                     | A07                     | 05              |
| 08                     | A08                     | 06              |
| 09                     | A09                     | 07              |



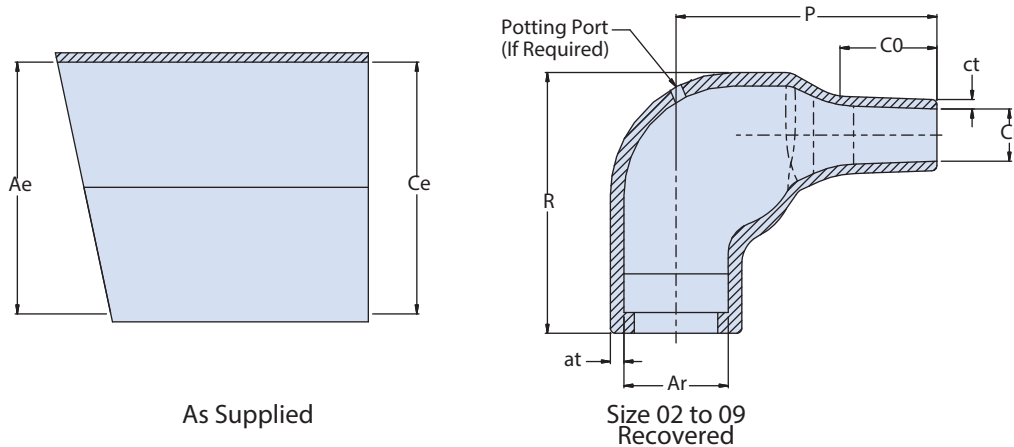
SERIES 77

# Lipped, 90° Angle Shrink Boots



## 770-003A Angled Boot, No Eyelet Dimensions

### Lipped Right Angle Adapter Shrink Boots: Dimensions



90° Boots

C

| Dimensions |            |              |              |              |            |             |            |              |               |              |
|------------|------------|--------------|--------------|--------------|------------|-------------|------------|--------------|---------------|--------------|
| Boot Size  | Shell Size | Ae DIA MIN   | Ce DIA MIN   | Ar DIA MAX   | at ±30%    | Cr DIA MAX  | ct ±20%    | CO REF       | P±20%         | R Ref        |
| 02         | 7          | .669 (17.0)  | .669 (17.0)  | .315 (8.0)   | .051 (1.3) | .138 (3.5)  | .028 (0.7) | .276 (7.0)   | .787 (20.0)   | .787 (20.0)  |
| 03         | 9          | .945 (24.0)  | .945 (24.0)  | .394 (10.0)  | .063 (1.6) | .197 (5.0)  | .035 (0.9) | .394 (10.0)  | .984 (25.0)   | .984 (25.0)  |
| 04         | 11-15      | 1.181 (30.0) | 1.181 (30.0) | .532 (13.5)  | .071 (1.8) | .217 (5.5)  | .039 (1.0) | .472 (12.0)  | 1.260 (32.0)  | 1.063 (27.0) |
| 05         | 13-17      | 1.260 (32.0) | 1.260 (32.0) | .709 (18.0)  | .071 (1.8) | .276 (7.0)  | .047 (1.2) | .591 (15.0)  | 1.535 (39.0)  | 1.260 (32.0) |
| 06         | 17-21      | 1.417 (36.0) | 1.417 (36.0) | .886 (22.5)  | .079 (2.0) | .335 (8.5)  | .047 (1.2) | .630 (16.0)  | 1.929 (49.0)  | 1.496 (38.0) |
| 07         | 21-23      | 1.693 (43.0) | 1.693 (43.0) | 1.102 (28.0) | .087 (2.2) | .394 (10.0) | .059 (1.5) | .709 (18.0)  | 2.165 (55.0)  | 1.850 (47.0) |
| 08         | 23-25      | 2.165 (55.0) | 2.165 (55.0) | 1.378 (35.0) | .130 (3.3) | .591 (15.0) | .079 (2.0) | 1.260 (32.0) | 3.150 (80.0)  | 2.165 (55.0) |
| 09         | 25-33      | 2.599 (66.0) | 2.599 (66.0) | 1.752 (44.5) | .150 (3.8) | .661 (16.8) | .079 (2.0) | 1.890 (48.0) | 4.250 (108.0) | 2.680 (68.0) |

For materials Type 2, Type 3 and Type 9, dimension 'Ce' is nominal

### Lipped Right Angle Shrink Boots: Part Marking, Raised Lettering

