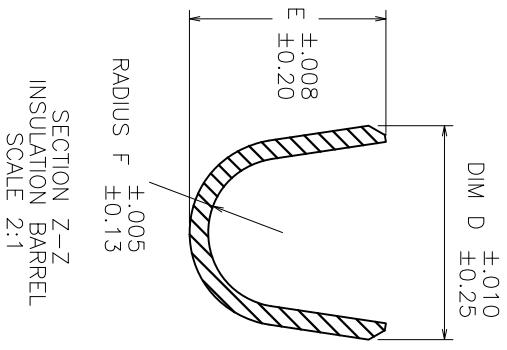
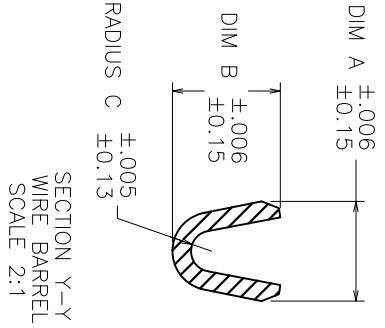
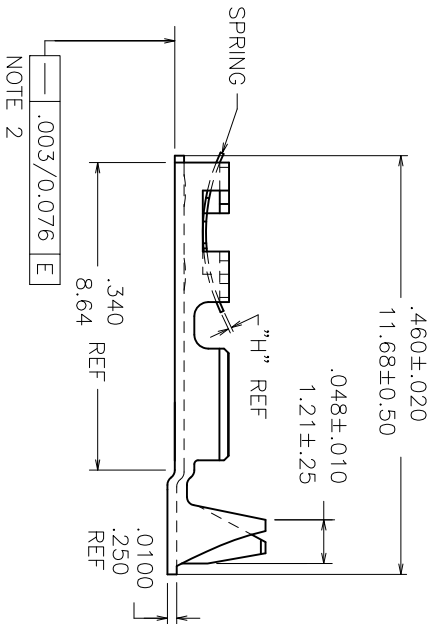
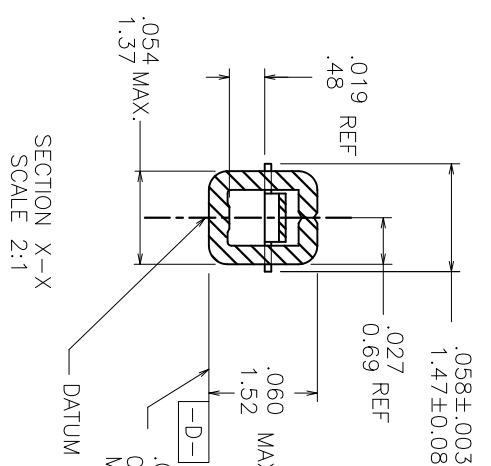
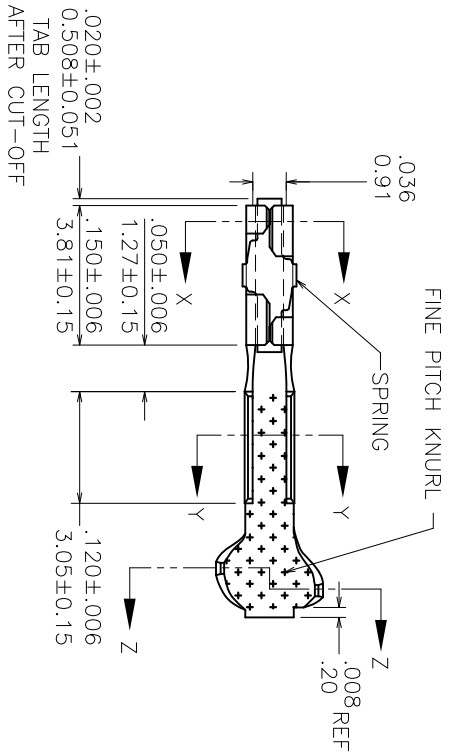


PRODUCT NUMBER  
SEE SHEET 3



NOTE 2  
.003/0.076 E

ltr	ecm no	dr	date	surface	tolerance	projection	product family
AK	F08-0189	HTB	2008-06-23	DR	T	BREWBAKER	2006-04-18
AL	V08-0510	HTB	2008-12-02	ENGR	T	BREWBAKER	2006-04-18
AM	V10-0359	HTB	2010-09-05	CH	T	BREWBAKER	2006-04-18
AN	V12-0006	HTB	2012-01-05	APPD	T	BREWBAKER	2006-04-18
Index	Sheet	1	2	3	4	5	6

mat'l code	SEE TABLE	surface	tolerance	projection	product family		
AK	F08-0189	HTB	2008-06-23	DR	T		
AL	V08-0510	HTB	2008-12-02	ENGR	T		
AM	V10-0359	HTB	2010-09-05	CH	T		
AN	V12-0006	HTB	2012-01-05	APPD	T		
Index	Sheet	1	2	3	4	5	6

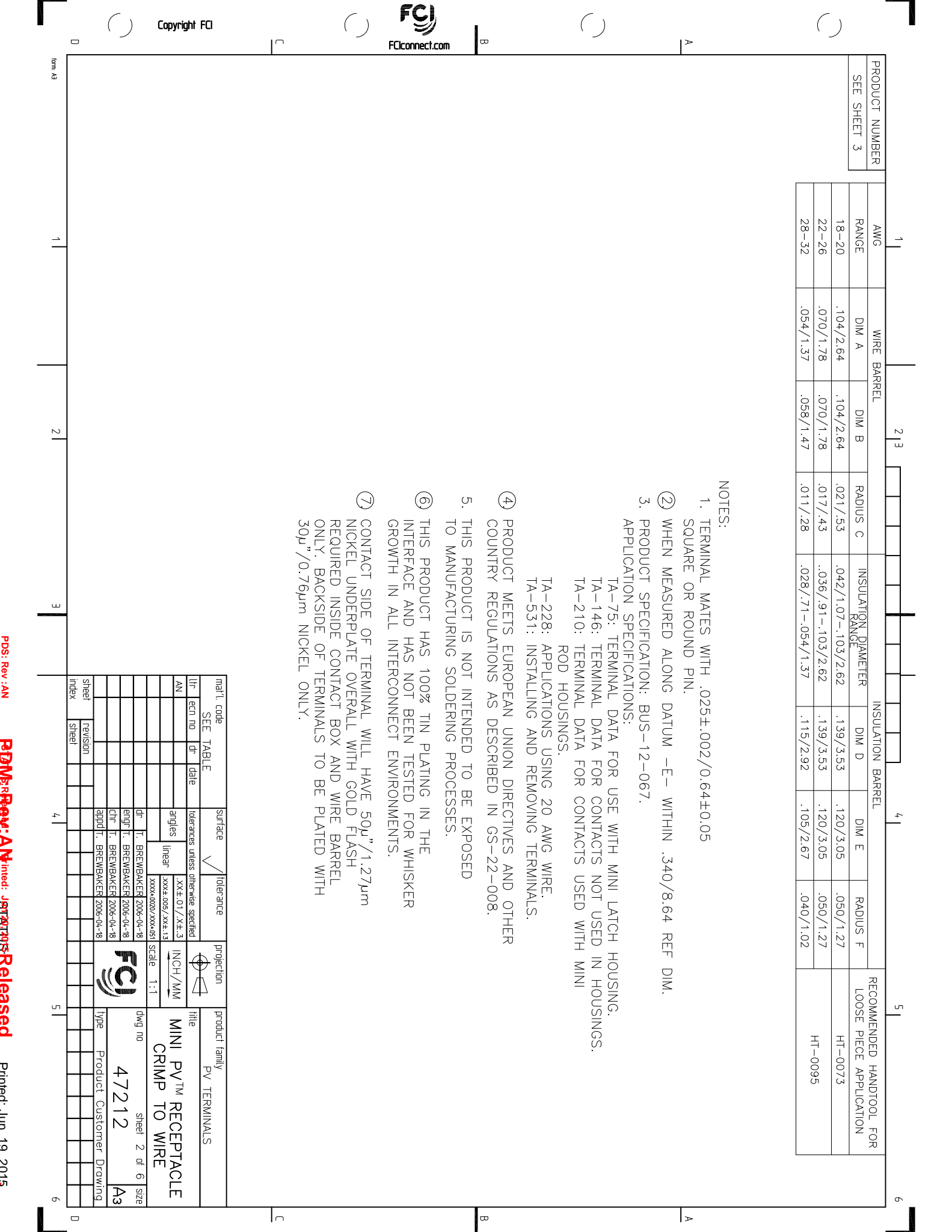
ltr	ecm no	dr	date	surface	tolerance	projection	product family
AG	V07-0218	HTB	2007-03-16		XX±.01/XX±.3	INCH/MM	MINI PV™ RECEPTACLE CRIMP TO WIRE
AH	V08-0113	HTB	2008-03-28	angles	XXX±.005/XX±.13	scale 5:1	
AJ	F08-0159	HTB	2008-04-16	linear	XXXX±.002/XXX±.051		

PRODUCT NUMBER SEE SHEET 3	WIRE BARREL			INSULATION BARREL			RECOMMENDED HANDTOOL FOR LOOSE PIECE APPLICATION	
	AWG RANGE	DIM A	DIM B	DIM C	INSULATION RANGE	DIM D		DIM E
18-20	.104/2.64	.104/2.64	.021/.53	.042/1.07-.103/2.62	.139/3.53	.120/3.05	.050/1.27	HT-0073
22-26	.070/1.78	.070/1.78	.017/.43	.036/.91-.103/2.62	.139/3.53	.120/3.05	.050/1.27	HT-0095
28-32	.054/1.37	.058/1.47	.011/.28	.028/.71-.054/1.37	.115/2.92	.105/2.67	.040/1.02	

NOTES:

1. TERMINAL MATES WITH .025±.002/0.64±0.05 SQUARE OR ROUND PIN.
2. WHEN MEASURED ALONG DATUM -E- WITHIN .340/8.64 REF DIM.
3. PRODUCT SPECIFICATION: BUS-12-067.  
APPLICATION SPECIFICATIONS:  
TA-75: TERMINAL DATA FOR USE WITH MINI LATCH HOUSING.  
TA-146: TERMINAL DATA FOR CONTACTS NOT USED IN HOUSINGS.  
TA-210: TERMINAL DATA FOR CONTACTS USED WITH MINI ROD HOUSINGS.  
TA-228: APPLICATIONS USING 20 AWG WIRE.  
TA-531: INSTALLING AND REMOVING TERMINALS.
4. PRODUCT MEETS EUROPEAN UNION DIRECTIVES AND OTHER COUNTRY REGULATIONS AS DESCRIBED IN GS-22-008.
5. THIS PRODUCT IS NOT INTENDED TO BE EXPOSED TO MANUFACTURING SOLDERING PROCESSES.
6. THIS PRODUCT HAS 100% TIN PLATING IN THE INTERFACE AND HAS NOT BEEN TESTED FOR WHISKER GROWTH IN ALL INTERCONNECT ENVIRONMENTS.
7. CONTACT SIDE OF TERMINAL WILL HAVE 50µ"/1.27µm NICKEL UNDERPLATE OVERALL WITH GOLD FLASH REQUIRED INSIDE CONTACT BOX AND WIRE BARREL ONLY. BACKSIDE OF TERMINALS TO BE PLATED WITH 30µ"/0.76µm NICKEL ONLY.

mat'l code	surfact	tolerance	projection	product family
SEE TABLE	✓			PV TERMINALS
lir ecn no	date	tolerances unless otherwise specified		title
AN		XX±.01/XX±.3	INCH/MM	MINI PV™ RECEPTACLE
	angles	linrar	scale 1:1	CRIMP TO WIRE
		xxxxx.000/xxx*051		Sheet 2 of 6 Size A3
	dr	T. BREWBAKER 2006-04-18		Product Customer Drawing
	enqr	T. BREWBAKER 2006-04-18		
	chr	T. BREWBAKER 2006-04-18		
	apdd	T. BREWBAKER 2006-04-18		
Sheet	revision			
Index	Sheet			



MATERIAL & PLATING	SPRING THICKNESS DIM Ht.0005/0.012	AWG RANGE	REELED NOTE 4	LOOSE NOTE 4	PLATING AVAILABILITY							
					-000	-000LF	-001	-001LF	-002	-002LF		
1/4 HARD BRASS BODY Be/Cu SPRING	CONTACT AREA UNDERPLATING: 50µ"/1.27µ NI CONTACT AREA: 15µ"/0.38µ Au	.0035/0.089	18-20	48241	48250	NO	YES	NO	NO	NO	NO	
			22-26	48242	48251	NO	YES	NO	NO	NO	NO	
			28-32	48243	48252	NO	YES	NO	NO	NO	NO	NO
			18-20	48244	48253	NO	YES	NO	NO	NO	NO	NO
			22-26	48245	48254	NO	YES	NO	NO	NO	NO	NO
			28-32	48246	48255	NO	YES	NO	NO	NO	NO	NO
	INSIDE BOX AREA: -000LF Au FLASH -001LF 15µ"/0.38µ Au -002LF 6µ"/0.15µ Au	.0048/0.122	18-20	48247	48256	NO	YES	NO	NO	NO	NO	
			22-26	48248	48257	NO	YES	NO	NO	NO	NO	
			28-32	48249	48258	NO	YES	NO	NO	NO	NO	
			18-20	48231	48266	NO	YES	NO	NO	NO	NO	
			22-26	48049	48235	NO	YES	NO	NO	NO	NO	
			28-32	48048	48238	NO	YES	NO	NO	NO	NO	
CONTACT AREA UNDERPLATING: 50µ"/1.27µ NI CONTACT AREA: 30µ"/0.76µ Au	.0035/0.089	18-20	48045	48237	NO	YES	NO	NO	NO	NO		
		22-26	48046	48234	NO	YES	NO	NO	NO	NO		
		28-32	48047	48232	NO	YES	NO	NO	NO	NO		
		18-20	48047	48232	NO	YES	NO	NO	NO	NO		
		22-26	48046	48234	NO	YES	NO	NO	NO	NO		
		28-32	48045	48237	NO	YES	NO	NO	NO	NO		
	INSIDE BOX AREA: -000LF Au FLASH -001LF 30µ"/0.76µ Au -002LF 8µ"/0.2µ Au	.0048/0.122	18-20	94017	94019	NO	NO	NO	NO	NO	NO	
			22-26	94018	94020	NO	NO	NO	NO	NO	NO	
			28-32	93259	94021	NO	NO	NO	NO	NO	NO	
			18-20	48052	48233	NO	YES	NO	NO	NO	NO	
			22-26	48051	48236	NO	YES	NO	NO	NO	NO	
			28-32	48050	48239	NO	YES	NO	NO	NO	NO	
REMAINDER: -000LF SEE NOTE 7 -001LF 30µ"/0.76µ Au -002LF Au FLASH	.0065/0.165	18-20	48052	48233	NO	YES	NO	NO	NO	NO		
		22-26	48051	48236	NO	YES	NO	NO	NO	NO		
		28-32	48050	48239	NO	YES	NO	NO	NO	NO		
		18-20	48052	48233	NO	YES	NO	NO	NO	NO		
		22-26	48051	48236	NO	YES	NO	NO	NO	NO		
		28-32	48050	48239	NO	YES	NO	NO	NO	NO		

\* LOOSE PIECE NOT AVAILABLE

mat'l code	SEE TABLE	surface	tolerance	projection	product family
lir	ecm no	dr	date	tolerances unless otherwise specified	title
AN		angles	linear	INCH/MM	MINI PV™ RECEPTACLE CRIMP TO WIRE
			xxxxx.000/xxxxx.051	scale 1:1	47212
		dr	T. BREWBAKER 2006-04-18		Sheet 3 of 6
		enq	T. BREWBAKER 2006-04-18		size
		chr	T. BREWBAKER 2006-04-18		A3
		appt	T. BREWBAKER 2006-04-18		Product Customer Drawing
Sheet	revision				
Index	Sheet				

1	MATERIAL & PLATING	1/4 HARD BRASS BODY	Be/Cu SPRING	SPRING THICKNESS DIM H±.0005/0.012	AWG RANGE	REILED NOTE 4	LOOSE NOTE 4	PLATING AVAILABILITY				
								-000	-000LF	-001	-001LF	-002

1	CONTACT AREA UNDERPLATING: 50µ"/1.27µ NI CONTACT AREA: 40µ"/1.02µ Au	Au FLASH	.0035/0.089	18-20	48276	N/A	NO	NO	NO	NO	YES
				22-26	47457	NO	YES	NO	YES	YES	
1	INSIDE BOX AREA: -000LF Au FLASH -001LF 8µ"/0.2µ Au -002LF 8µ"/0.2µ Au	Au FLASH	.0048/0.122	18-20	47441	NO	YES	NO	YES	NO	YES
				22-26	47439	NO	YES	NO	YES	YES	
1	REMAINDER: -000LF SEE NOTE 7 -001LF 8µ"/0.2µ Au -002LF Au FLASH	Au FLASH	.0058/0.147	18-20	47566	NO	YES	NO	NO	NO	YES
				22-26	47565	NO	YES	NO	YES	YES	
1	DISCONTINUED	DISCONTINUED	.0065/0.165	18-20	47564	NO	YES	NO	YES	YES	
				22-26	47744	NO	YES	NO	YES	YES	

1	CONTACT AREA UNDERPLATING: 50µ"/1.27µ NI CONTACT AREA: 75µ"/1.91µ Au	Au FLASH	.0035/0.089	18-20	47785	48014	NO	YES	NO	NO	NO	OBS.
				22-26	47784	48015	NO	NO	NO	NO	NO	OBS.
1	INSIDE BOX AREA: -001LF Au FLASH -002LF 30µ"/0.76µ Au	Au FLASH	.0048/0.122	18-20	47783	48013	NO	NO	NO	NO	NO	OBS.
				22-26	47220	47707	NO	NO	NO	NO	NO	OBS.
1	REMAINDER: -000LF SEE NOTE 7 -001LF 75µ"/1.91µ Au -002LF 15µ"/0.38µ Au	Au FLASH	.0058/0.147	18-20	47216	47706	NO	YES	NO	NO	NO	OBS.
				22-26	47212	47705	NO	YES	NO	NO	NO	OBS.
1	DISCONTINUED	DISCONTINUED	.0058/0.147	18-20	94028	94031	NO	NO	NO	NO	NO	OBS.
				22-26	94029	94032	NO	NO	NO	NO	NO	OBS.
1	DISCONTINUED	DISCONTINUED	.0058/0.147	18-20	94030	94033	NO	NO	NO	NO	NO	OBS.
				22-26	94030	94033	NO	NO	NO	NO	NO	OBS.

mat'l code		SEE TABLE		surface		tolerance		projection		product family	
lir	ecm no	dr	date	tolerances unless otherwise specified		INCH/MM		title		PV TERMINALS	
AN				angles	linear	scale 1:1		MINI PV™ RECEPTACLE		CRIMP TO WIRE	
				dr	T. BREWBAKER 2006-04-18	scale 1:1		FCI		Sheet 4 of 6 Size	
				eng	T. BREWBAKER 2006-04-18	scale 1:1		47212		A3	
				chr	T. BREWBAKER 2006-04-18	scale 1:1		Product Customer Drawing			
				appd	T. BREWBAKER 2006-04-18	scale 1:1					
Sheet	revision	Sheet	revision								
Index	Sheet	Index	Sheet								

1 2 3 4 5 6

MATERIAL & PLATING		SPRING THICKNESS DIM H. .0005/0.012	AWG RANGE	REELED NOTE 4	LOOSE NOTE 4	PLATING AVAILABILITY					
1/4 HARD BRASS BODY	Be/Cu SPRING					-000	-000LF	-001	-001LF	-002	-002LF
PRE-PLATED: UNDERPLATING: 50N "/1.27µ IN OVERPLATING:" 100-200µ"/2.54-5.08µ 60/40 TIN LEAD "LF NOT AVAILABLE" SEE LEAD-FREE EQUIVALENTS BELOW	Sn PLATED	.0048/0.122	22-26	47445	47747	NO	NO	NO	NO	NO	OBS.
			28-32	47446	47748	NO	NO	NO	NO	NO	OBS.
			18-20	47221	47716	NO	NO	NO	NO	NO	OBS.
			22-26	47217	47715	NO	NO	NO	NO	NO	OBS.
			28-32	47213	47714	NO	NO	NO	NO	NO	OBS.
			18-20	94034	94037	NO	NO	NO	NO	NO	OBS.
			22-26	94035	94038	NO	NO	NO	NO	NO	OBS.
			28-32	94036	94039	NO	NO	NO	NO	NO	OBS.
			18-20	47648	47749	NO	NO	NO	NO	NO	OBS.
			22-26	47649	47750	NO	NO	NO	NO	NO	OBS.
PRE-PLATED: -000LF 100-160µ" 2.54-4.06µ Sn (LEAD-FREE) NOTE 6	Sn PLATED	.0035/0.089	22-26	47445	47747	NO	YES	NO	NO	NO	OBS.
			28-32	47446	47748	NO	YES	NO	NO	NO	OBS.
			18-20	47221	47716	NO	YES	NO	NO	NO	OBS.
			22-26	47217	47715	NO	YES	NO	NO	NO	OBS.
			28-32	47213	47714	NO	YES	NO	NO	NO	OBS.
			18-20	94034	94037	NO	NO	NO	NO	NO	OBS.
			22-26	94035	94038	NO	NO	NO	NO	NO	OBS.
			28-32	94036	94039	NO	NO	NO	NO	NO	OBS.
			18-20	47648	47749	NO	YES	NO	NO	NO	OBS.
			22-26	47649	47750	NO	YES	NO	NO	NO	OBS.
.0065/0.165	Sn PLATED	.0065/0.165	28-32	47650	47751	NO	YES	NO	NO	NO	OBS.

mat'l code		SEE TABLE		surface		tolerance		projection		product family	
lfr	ecm no	dr	date	tolerances unless otherwise specified	angles	linear	xxxxx.000/xxx.051	INCH/MM	scale	1:1	title
AN				XX±.01/XX±.3							MINI PV™ RECEPTACLE CRIMP TO WIRE
				xxxx.005/xx±.13							Sheet 5 of 6 Size 47212
				dr T. BREWBAKER 2006-04-18							Product Customer Drawing
				enjr T. BREWBAKER 2006-04-18							A3
				chr T. BREWBAKER 2006-04-18							
				aprd T. BREWBAKER 2006-04-18							
Sheet	revision										
Index	Sheet										

MATERIAL & PLATING		SPRING THICKNESS		AWG RANGE		RELEED NOTE 4		LOOSE-PIECE NOTE 4	
1/4 HARD BRASS BODY	Be/Cu SPRING	DIM	Ht.	.0005/0.012					
UNDERPLATING: 50u" X 1.27u" Ni CONTACT AREAS 30u" / 0.176u" Cr INSIDE BOX AREA: -600 Au FLASH REMAINDER: -600 Au FLASH		CONTACT AREAS Au FLASH		.0048 / 0.122 .0065 / 0.165		18-20	48231-600	48266-600	OBS.
						22-26	48049-600	48235-600	OBS.
						28-32	48048-600	48238-600	OBS.
						18-20	48047-600	48232-600	OBS.
						22-26	48046-600	48234-600	OBS.
				28-32	48045-600	48237-600	OBS.		
				18-20	94017-600	94019-600	OBS.		
				22-26	94018-600	94020-600	OBS.		
				28-32	93259-600	94021-600	OBS.		
				18-20	48052-600	48233-600	OBS.		
				22-26	48051-600	48236-600	OBS.		
				28-32	48050-600	48239-600	OBS.		

mat'l code		SEE TABLE		surface		tolerance		projection		product family	
lir	ecn no	dr	date	tolerances unless otherwise specified	inches	mm	inches	mm	title	product family	revision
AN				XX±.01 / X±.3	INCH/MM				MINI PV™ RECEPTACLE	PV TERMINALS	
				linear XXX±.005 / X±.13					CRIMP TO WIRE		
				xxxx.0020 / xxx.051							
				dr T. BREWBAKER 2006-04-18							
				enqr T. BREWBAKER 2006-04-18							
				chr T. BREWBAKER 2006-04-18							
				appt T. BREWBAKER 2006-04-18							
sheet		revision									
index		sheet									



dwg no 47212  
sheet 6 of 6  
size A3  
type Product Customer Drawing