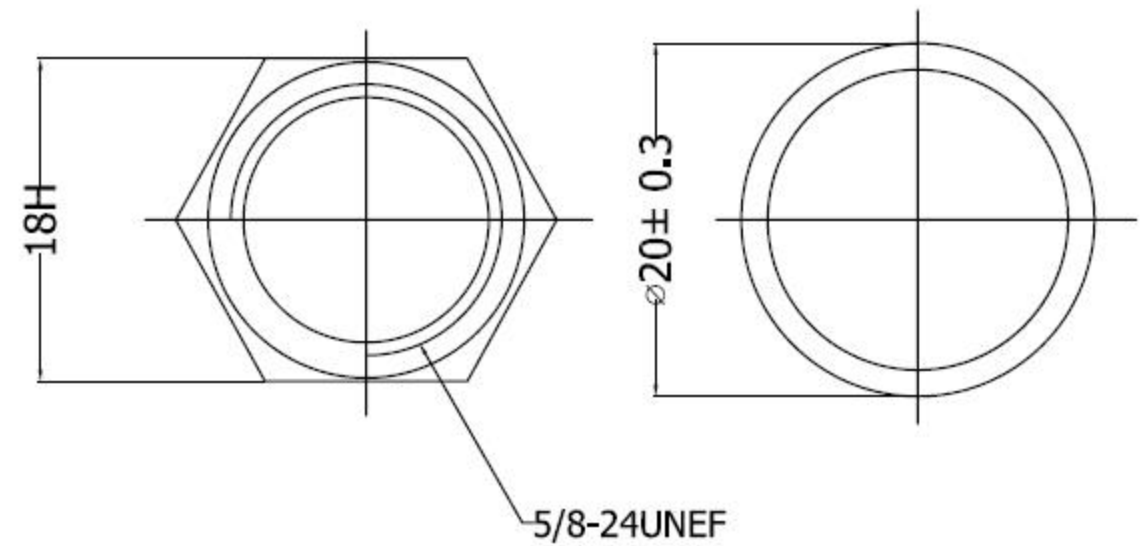


	58/U	59/U	6/U	174/U	213/U
A	∅3.1	∅3.9	∅5.0	∅2.8	∅7.5
B	∅4.5	∅5.5	∅6.8	∅3.8	∅9.5
C	∅5.5	∅6.5	∅7.5	∅4.5	∅11.5
D	∅6.3	∅7.3	∅8.5	∅5.1	∅12.5
E	12.7	12.7	12.7	10	14.5
F	∅1.05	∅1.05	∅1.2	∅0.6	∅2.5



P/NO.:	NCP-0313		
CUSTOMER:	CHIP & DIP		
CUST. P/N.:	GN-313		
APP.	Erlc	UNITS	m/m

NEW CENTRESS
INTERNATIONAL CO., LTD.

1.0	NEW DRAWING	2008/12/24	CHK. Carmen	DATE	2008/12/24	DES.: N FEMALE BULKHEAD CRIMP TYPE			
VER.NO.	DESCRIPTION	DATE	DRAW. Christina	SHEET	1/1	DRAW NO.: NCP-0313		VER	1.0