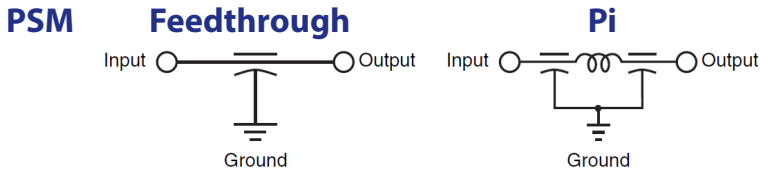
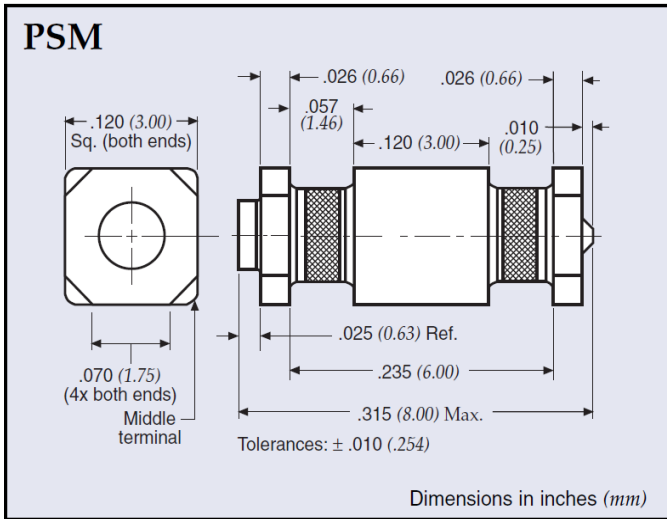
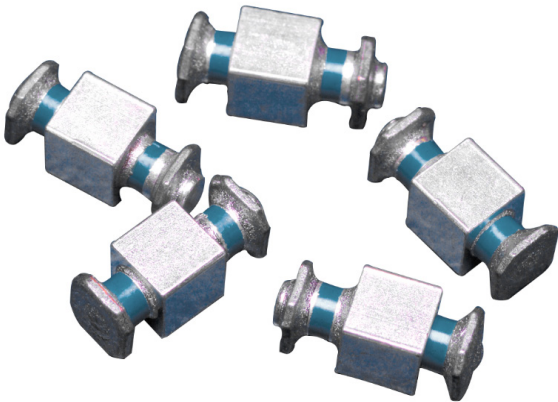


Surface Mount Low Pass Filters

PSM Series

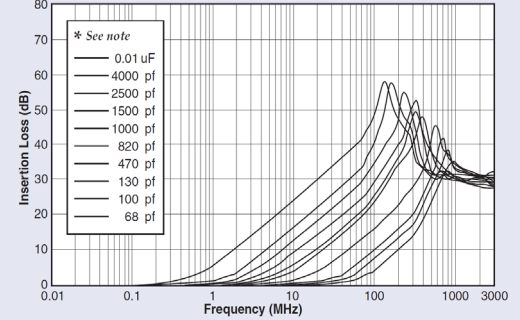


Voltage Rating DC	200 VDC @ -55°C to +125°C
DWV	700 VDC
Current Rating	20 Amps (Feedthrough) max. 10 Amps (Pi) max.
Insulation Resistance	1.0 GΩ @ 25°C
Dissipation Factor	4.0% maximum
D.C.R	Max. .0005Ω, typ. .0002Ω

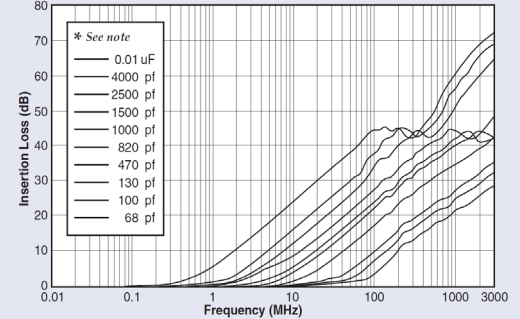


Feedthrough Insertion Loss

Typical SMT Applications



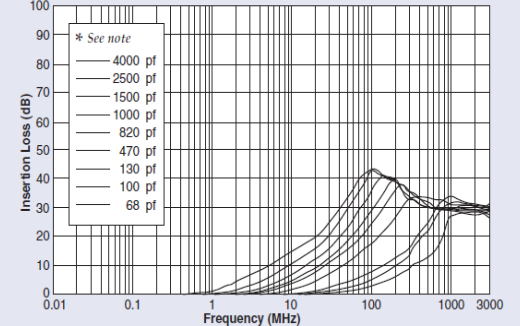
Shielded or Partition Applications



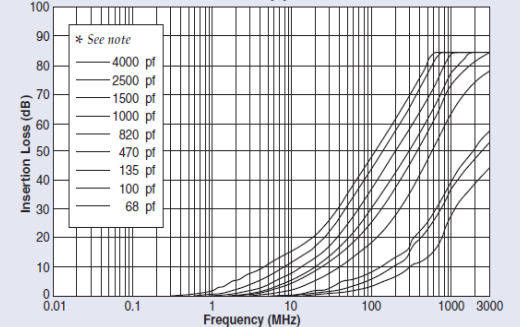
* Capacitance values for insertion loss curves are displayed left to right in the order shown.

Pi Insertion Loss

Typical SMT Applications



Shielded or Partition Applications



Surface Mount Low Pass Filters

PSM Series

PSM Ordering Information Example: PSM4-402Z-20T0

PSM	4	-	402Z	-	20	T	0																																	
Style	Circuit Configuration		Capacitance		Current Rating	Packaging	Tape and Reel																																	
<p>PSM (Power)</p> <p>† Also available through APITech's authorized distributors.</p>	<p>1 - Pi</p> <p>4 - Feedthrough</p>		<table border="1" style="width: 100%; border-collapse: collapse; text-align: center;"> <thead> <tr> <th>Code</th> <th>Value*</th> <th>Tolerance</th> </tr> </thead> <tbody> <tr><td>680M</td><td>68 pF</td><td>±20%</td></tr> <tr><td>101M</td><td>100 pF</td><td>±20%</td></tr> <tr><td>131P</td><td>130 pF</td><td>+100/-0%</td></tr> <tr><td>471P</td><td>470 pF</td><td>+100/-0%</td></tr> <tr><td>821M</td><td>820 pF</td><td>±20%</td></tr> <tr><td>102M</td><td>1000 pF</td><td>±20%</td></tr> <tr><td>152M</td><td>1500 pF</td><td>±20%</td></tr> <tr><td>252P</td><td>2500 pF</td><td>+100/-0%</td></tr> <tr><td>402Z</td><td>4000 pF</td><td>+80/20%</td></tr> <tr><td>103Z**</td><td>.01 µF</td><td>+80/-20%</td></tr> </tbody> </table>	Code	Value*	Tolerance	680M	68 pF	±20%	101M	100 pF	±20%	131P	130 pF	+100/-0%	471P	470 pF	+100/-0%	821M	820 pF	±20%	102M	1000 pF	±20%	152M	1500 pF	±20%	252P	2500 pF	+100/-0%	402Z	4000 pF	+80/20%	103Z**	.01 µF	+80/-20%		<p>10 - 10 Amps (Pi)</p> <p>20 - 20 Amps (Feedthrough)</p>	<p>T - Tape and reel packaging</p> <p>B - Bulk packaging</p>	<p>0 - 500 pieces</p> <p>2 - 2,000 pieces</p> <p><i>Note: Tape and reel packaging - 500 pieces (7") and 2,000 pieces (13")</i></p>
Code	Value*	Tolerance																																						
680M	68 pF	±20%																																						
101M	100 pF	±20%																																						
131P	130 pF	+100/-0%																																						
471P	470 pF	+100/-0%																																						
821M	820 pF	±20%																																						
102M	1000 pF	±20%																																						
152M	1500 pF	±20%																																						
252P	2500 pF	+100/-0%																																						
402Z	4000 pF	+80/20%																																						
103Z**	.01 µF	+80/-20%																																						

Technical Notes

- Soldering recommendations supplied upon request
- Reflow temperature limit is 250°C
- Unit weight is approximately 0.4 grams
- Tape and reel packaging available for automated assembly

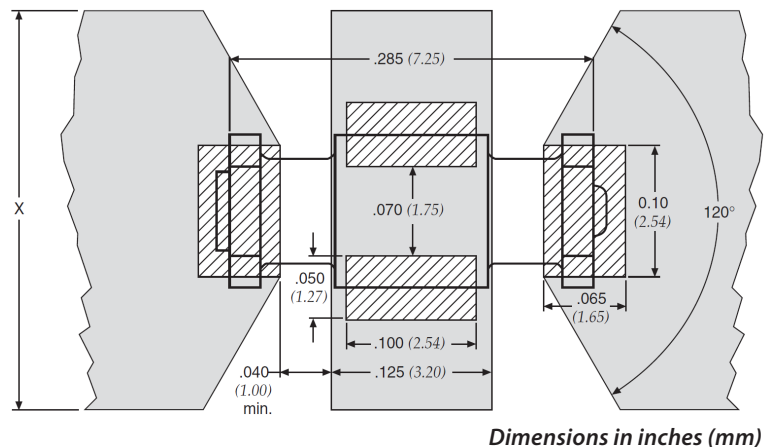
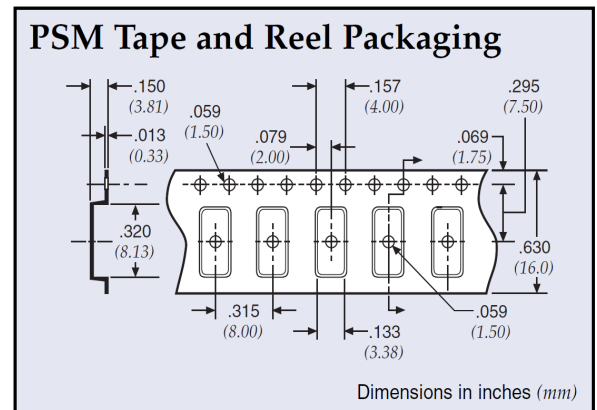
PSM Recommended Board Pattern

- Solder paste pattern
- Recommended pad, must be able to support continuous signal current

X = 0.350" minimum for 1 oz. copper (0.036 mm thickness)

X = 0.200" minimum for 2 oz. copper (0.071 mm thickness)

For low current (10 Amp or less)
 X = 0.130" minimum for 1 oz. copper (0.036 mm thickness for 10 Amp and 0.5 oz. copper - 0.018 mm)



Mouser Electronics

Authorized Distributor

Click to View Pricing, Inventory, Delivery & Lifecycle Information:

Spectrum Control:

[PSM1-102M-10T0](#) [PSM1-402Z-10T0](#) [PSM1-471P-10T0](#) [PSM4-102M-20T0](#) [PSM4-152M-20T0](#) [PSM4-103Z-20T0](#)
[PSM1-101M-10T0](#) [PSM1-101M-10T2](#) [PSM1-402Z-10T2](#) [PSM4-101M-20T0](#) [PSM1-102M-10T2](#) [PSM1-131P-10T0](#)
[PSM1-131P-10T2](#) [PSM1-152M-10T0](#) [PSM1-152M-10T2](#) [PSM1-402Z-20T0](#) [PSM1-402Z-20T2](#) [PSM1-471P-10T2](#)
[PSM1-680M-10T2](#) [PSM1-821M-10T2](#) [PSM4-101M-10T0](#) [PSM4-101M-10T2](#) [PSM4-101M-20T2](#) [PSM4-102M-10T0](#)
[PSM4-102M-10T2](#) [PSM4-102M-20T2](#) [PSM4-103Z-10T0](#) [PSM4-103Z-10T2](#) [PSM4-103Z-20T2](#) [PSM4-131P-10T0](#)
[PSM4-131P-10T2](#) [PSM4-131P-20T0](#) [PSM4-131P-20T2](#) [PSM4-152M-10T2](#) [PSM4-152M-20T2](#) [PSM4-402Z-10T0](#)
[PSM4-402Z-10T2](#) [PSM4-402Z-20T2](#) [PSM4-471P-10T0](#) [PSM4-471P-10T2](#) [PSM4-471P-20T0](#) [PSM4-471P-20T2](#)
[PSM4-680M-10T0](#) [PSM4-680M-10T2](#) [PSM4-680M-20T0](#) [PSM4-680M-20T2](#) [PSM4-821M-10T0](#) [PSM4-821M-10T2](#)
[PSM4-821M-20T0](#) [PSM4-821M-20T2](#) [PSM4-152M-10T0](#) [PSM4-402Z-20T0](#) [PSM1-821M-10T0](#)