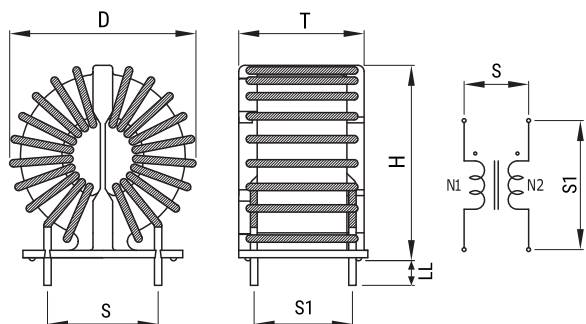


KEMET Part Number: SC-18-25J
(UALSC1825J0000)

KEMET, SC-J, AC Line Filters, Common Mode, 2500 μ H



Dimensions

D	44mm MAX
T	30mm MAX
H	44mm MAX
LL	4.5mm +/-1mm
S	18mm NOM

Packaging Specifications

Packaging:	Tray
Packaging Quantity:	160
Weight:	77 g

General Information

Series:	SC-J
Style:	Through-Hole
RoHS:	Yes
Notes:	Lead Spacing (S/S1) Are For Reference Only.
Miscellaneous:	Temperature Rise Maximum: 60 K

Specifications

Voltage AC:	250 VAC
Inductance:	2.5 mH (10 kHz)
Current:	18 A
Temperature Range:	-25/+120°C
DC Resistance:	10 mOhms