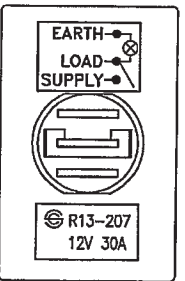
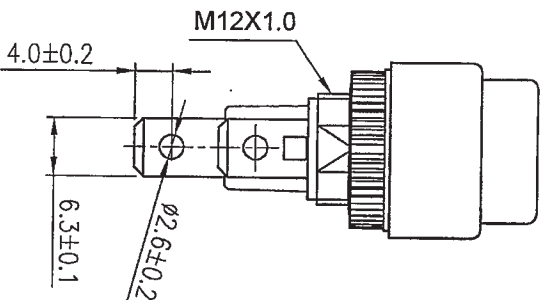
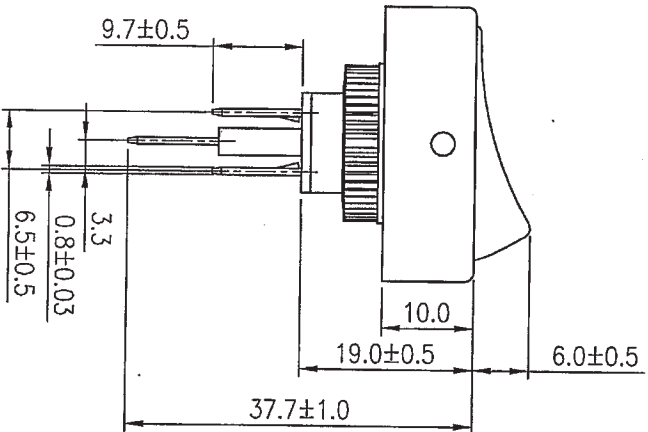
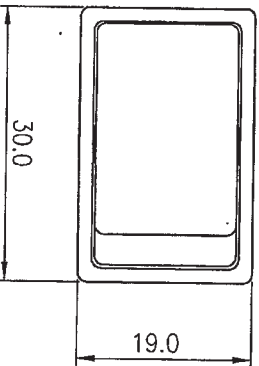


Rating	30A 12VDC	Mounting Hole	Circuit Diagram
Contact Resistance	50m ohm Max.		
Insulation Resistance	DC 500V 100M ohm Min.		
Dielectric Strength	AC 1500V 1 minute		
Switch Function	3P SPST ON-OFF (Bulb dependent)		



原稿
2016.6.06
研發部

Tolerances ±0.3 Unless Otherwise Specified

Material:
Frame: Black,Nylon#66
Actuator: Yellow Clear,PC
Printed: None

Date	Name	Description				No.
Drawn	Checked	Approved	SCI BOM No	1821367	Model Name	ROCKER SWITCH
何珮	何木輝	Sinca	Customer No		Model No.	R13-207B-01
05/21/16	6/1-'16	6/1-'16	Unit	mm	Shin Chin Industrial Co., Ltd.	
					Rev.	0