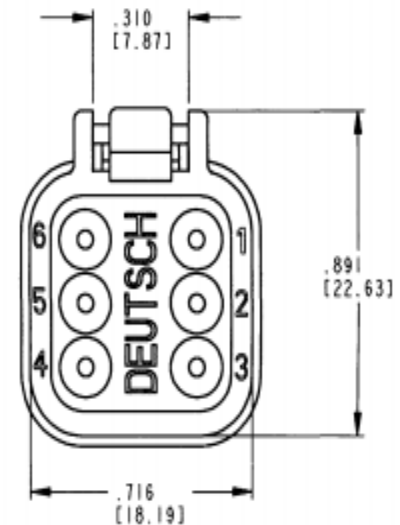


REV  
C DT06-6S

| REVISIONS |                             |         |          |
|-----------|-----------------------------|---------|----------|
| SYM       | DESCRIPTION                 | DATE    | APPROVED |
| NC        | NEW RELEASE PER E.O. A09286 | 12/5/89 | JA       |
| A         | REVISED PER E.O. A09335     | 9/6/90  | JA       |
| B         | REVISED PER E.O. P15019     | 4/4/96  | RDR      |
| C         | REVISED PER E.O. P16035     | 5-13-99 | RDR      |



PLUG INSERTS INTO RECEPTACLE WITHIN THIS DISTANCE.

| CONTACT SIZE | MIN. INSUL O.D. | MAX. INSUL O.D. | WIRE RANGE [mm <sup>2</sup> ] |
|--------------|-----------------|-----------------|-------------------------------|
| 16           | .088 [2.23]     | .145 [3.68]     | 14-20 AWG [2.0-0.5]           |

5. THIS PART MATES WITH THE DT04-6P-\*\*\*\* (\*\*\*\* = ALL MODIFICATIONS).
4. FOR MORE INFO. SEE DRAWING 0425-015-0000 AND 0425-017-0000.
3. CONSULT FACTORY FOR CONTACT SPECIFICATION AND APPLICATION.
2. ALL DIMENSIONS ARE ±.025 [0.63] UNLESS OTHERWISE SPECIFIED.

NOTES: 1. ALL DIMENSIONS ARE IN INCHES (MILLIMETERS).

|                  |                            |                         |  |               |              |
|------------------|----------------------------|-------------------------|--|---------------|--------------|
| SIGNATURE & DATE |                            | 6 WAY PLUG<br>DT SERIES | CP   | MIL CODE      |              |
| DR               | D. SPENCER 29 JAN 99       |                         | The Deutsch Company<br>DEUTSCH I.P.O.<br>3850 INDUSTRIAL AVE.<br>HEMET, CALIF. 92545 |               |              |
| CHK              | <i>[Signature]</i> 57-99   |                         | B  | DT06-6S       |              |
| PE               | <i>[Signature]</i> 57-99   |                         |  | DWG NO. 11139 | SHEET 1 OF 1 |
| APPD             | <i>[Signature]</i> 5-13-99 | ENVELOPE                |  |               |              |
| SCALE            | 3:1 WT                     |                         |  |               |              |