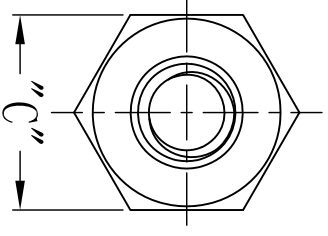
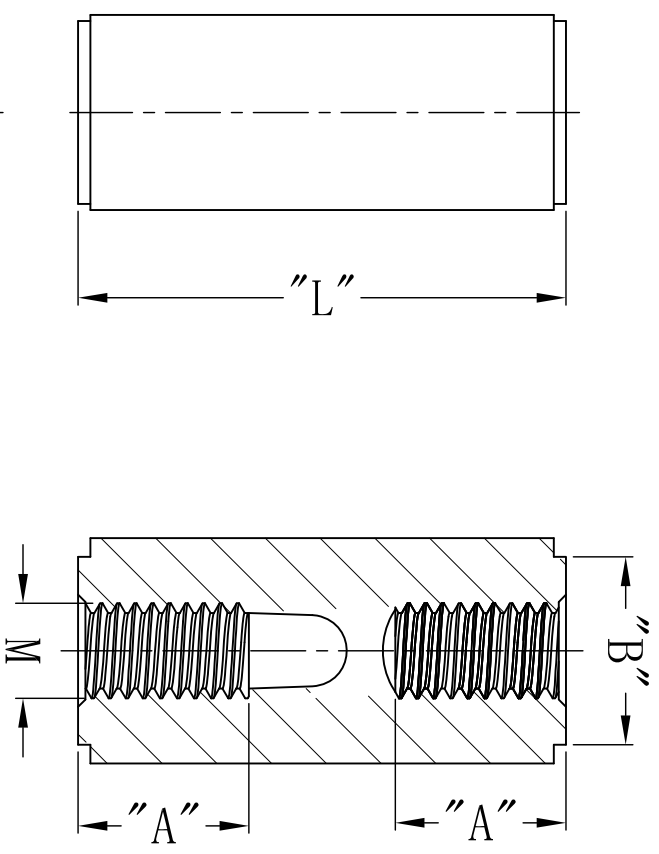


DO NOT SCALE DRAWING

REVISIONS				
ZONE	REV.	DESCRIPTION	DATE	APPROVED
A		DRAWN	08-08-2013	



Part Name	"A"	"B"	"C"	"L"	M
FAHNSNGFFM3-25-6	10	5.85	6	25	M3
FAHNSNGFFM3-30-6				30	
FAHNSNGFFM4-25-8				25	M4
FAHNSNGFFM4-30-8	10	7.8	8	30	
FAHNSNGFFM6-25-10				25	M6
FAHNSNGFFM6-30-10	10	9.7	10	30	

UNLESS OTHERWISE SPECIFIED:
 DIMENSIONS ARE IN MILLIMETERS.
 SURFACE FINISH:
 TOLERANCES:
 15<L<50 = ±0.3 50<L<100 = ±0.4
 15<L<50 = ±0.1 4<L<15 = ±0.2



DESIGN RIGHT. TR FASTENINGS LTD. 2003
 UNDER NO CIRCUMSTANCES MUST THIS
 DRAWING BE COPIED OR DISCLOSED,
 WITHOUT FIRST OBTAINING WRITTEN
 AUTHORITY.

NAME	DATE
DRAWN	08/08/2013
CHKD	
APPVD	

MATERIAL
 PA6 with 30% GLASS FILLED U194HB
 ROHS COMPLIANT

HEAT TREATMENT
 N/A

TITLE
 HEX Threaded Standoff

NOTES

CUSTOMER PART NO.

FINISH
 Black

DWG NO.
 FAHNSNGFFM#-XX-XX

PROJECTION

SHEET 1 OF 1