



Circular Connector Compatible to MS Standard

CONNECTOR

N/MS Series

MB-0148-1

December 2005

[Outline]

Developed as a successor product to our MIL-C-5015 compatible “MS connector”, which had been distributed for over 50 years.

[Features]

-RoHS compliant product.

Hazardous substances contained in MS connectors (lead, cadmium, hexavalent chromium) are not used.

-Compatible with our conventional MS connector.
Shape of outer shell is in common.

-UL Standard qualified product (File No. E67741)

-The head of the part number changed from MS to N/MS.
No change for the left of the part number.

In comparison with MS Connector
--

	MS Connector	N/MS Connector
Color	Dark green(OD color)	Black series interference color*
Outer shell finishing	Hexavalent OD colored chromium treatment over cadmium or zinc plating	Trivalent black colored chrome treatment over zinc plating
Pre-soldering	Pre-soldering on contact (lead contained in soldering)	No pre-soldering on contact
Mark	Company name and part number raised or stamped on outer shell	Mark on cable clamp and bushing. No mark on outer shell.

*Interference color is a complex color like rainbow color, which appears by interference of lights that is seen with oil floating on water.

Technical Information

		Part Number	SJ Drawing
1. Product Drawing	Connector	Insert drawing	SJ100900
		N/MS3100A*-***	SJ100901
		N/MS3101A*-***	SJ100902
		N/MS3101B*-***	SJ100903
		N/MS3102A*-***	SJ100904
		N/MS3106A*-***	SJ100905
		N/MS3106B*-***	SJ100906
		N/MS3108B*-***	SJ100907
	Accessory	N/MS25042-**D	SJ100908
		N/MS25043-**D	SJ100909
		N/MS3057-*A	SJ100910
		N/MS3420-*	SJ100911
2. Specification	N/MS A/B Connector Specification	JACS-50003	
3. Handling Instruction	N/MS A/B Connector Handling Instruction	JAHL-50003	

General Specifications

Please refer to JACS-50003 for further specification information.

	CONTACT SIZE コンタクト サイズ	FOR INDIVIDUAL CONTACT ONLY コンタクト 単体の場合	ASSEMBLED IN INSULATOR インシュレータに 組込んだ場合																																
RATED CURRENT (PER CONTACT) 定格電流 (コンタクト1本当り)	#16	22A MAX	13A MAX																																
	#12	41A MAX	23A MAX																																
	#8	73A MAX	46A MAX																																
	#4	135A MAX	80A MAX																																
	#0	245A MAX	150A MAX																																
RATED VOLTAGE 定格電圧	CLASSIFICATION CODE 分類記号	VDC	VAC																																
	I N S T	250	200																																
	A	700	500																																
	D	1250	900																																
	E	1750	1250																																
	B	2450	1750																																
	C	4200	3000																																
D.W.VOLTAGE 耐電圧	I N S T	1000VAC(1分間)(1 MINUTE)																																	
	A	2000VAC(1分間)(1 MINUTE)																																	
	D	2800VAC(1分間)(1 MINUTE)																																	
	E	3500VAC(1分間)(1 MINUTE)																																	
	B	4500VAC(1分間)(1 MINUTE)																																	
	C	7000VAC(1分間)(1 MINUTE)																																	
INSULATION RESISTANCE 絶縁抵抗	5000MΩ MIN (AT 500VDC)																																		
APPLICABLE WIRE SIZE 適用電線	CONTACT SIZE コンタクト サイズ	WIRE 電線																																	
		AWG No.	mm ²																																
	#16	#16MAX	1.25mm ² MAX																																
	#12	#12MAX	3.5mm ² MAX																																
	#8	#8MAX	8mm ² MAX																																
	#4	#4MAX	22mm ² MAX																																
#0	#0MAX	50mm ² MAX																																	
<p>コネクタ全体に流せる電流の総容量は下記の計算式にて算出下さい。 TOTAL CURRENT CAPACITY ALLOWABLE TO BE USED IN THIS CONNECTOR SHALL BE CALCULATED BY THE FOLLOWING FORMULA:</p> <p>① MORE THAN 15 CONTACTS: 15極以上の場合 TOTAL CURRENT CAPACITY = RATED CURRENT (IN CASE OF INSERT ASSEMBLED WITH CONTACTS) × NUMBER OF CONTACTS × 20% 総容量=定格電流(インサートに組込んだ場合)×極数×20%</p> <p>② LESS THAN 15 CONTACTS: 15極以下の場合 TOTAL CURRENT CAPACITY = RATED CURRENT (IN CASE OF INSERT ASSEMBLED WITH CONTACTS) × NUMBER OF CONTACTS × LAPSE RATE (%) 総容量=定格電流(インサートに組込んだ場合)×極数×減率(%)</p> <table border="1"> <thead> <tr> <th>NO. OF CONTACTS 極数</th> <th>LAPSE RATE (%) 減率(%)</th> <th>NO. OF CONTACTS 極数</th> <th>LAPSE RATE (%) 減率(%)</th> </tr> </thead> <tbody> <tr> <td>1</td> <td>100</td> <td>8</td> <td>60</td> </tr> <tr> <td>2</td> <td>94.3</td> <td>9</td> <td>54.3</td> </tr> <tr> <td>3</td> <td>88.6</td> <td>10</td> <td>48.6</td> </tr> <tr> <td>4</td> <td>82.9</td> <td>11</td> <td>42.9</td> </tr> <tr> <td>5</td> <td>77.1</td> <td>12</td> <td>37.1</td> </tr> <tr> <td>6</td> <td>71.4</td> <td>13</td> <td>31.4</td> </tr> <tr> <td>7</td> <td>65.7</td> <td>14</td> <td>25.7</td> </tr> </tbody> </table>				NO. OF CONTACTS 極数	LAPSE RATE (%) 減率(%)	NO. OF CONTACTS 極数	LAPSE RATE (%) 減率(%)	1	100	8	60	2	94.3	9	54.3	3	88.6	10	48.6	4	82.9	11	42.9	5	77.1	12	37.1	6	71.4	13	31.4	7	65.7	14	25.7
NO. OF CONTACTS 極数	LAPSE RATE (%) 減率(%)	NO. OF CONTACTS 極数	LAPSE RATE (%) 減率(%)																																
1	100	8	60																																
2	94.3	9	54.3																																
3	88.6	10	48.6																																
4	82.9	11	42.9																																
5	77.1	12	37.1																																
6	71.4	13	31.4																																
7	65.7	14	25.7																																

Arrangement

NO. OF CONTACTS 極数	2極						3極						4極							
INSERT ARRANGEMENT インサート配列	18-16	108L-4	128-3	148-9	168-4	18-3	20-23	108L-3	148-7	16-10	168-5	18-21	22-2	28-6	148-2	18-10	20-4	22-22	32-17	36-5
INSERT ARRANGEMENT VIEW インサート配列図 (PIN INSERT VIEWED FROM MATING SIDE ピンインサートを嵌合 側から見た図です)																				
CONTACT COMPOSITION コンタクト構成 (SIZE X NO. OF CONTACTS) サイズ×極数	#12X1極	#16X2極	#16X2極	#16X2極	#16X2極	#12X2極	#8X2極	#16X3極	#16X3極	#12X3極	#16X3極	#12X3極	#8X3極	#4X3極	#16X4極	#12X4極	#12X4極	#8X4極	#4X4極	#8X4極
RATED VOLTAGE WITHSTANDING VOLTAGE 定格電圧・耐電圧	C	INST	A	A	D	D	A	INST	A	A	A	A	D	D	INST	A	D	A	D	A

NO. OF CONTACTS 極数	5極			6極			7極			8極		9極			10極	
INSERT ARRANGEMENT インサート配列	14S-5	16S-B	18-11	14S-6	18-12	20-17	16S-1	20-15	24-2	24-10	18-8	22-23	20-16	20-18	24-11	18-1
INSERT ARRANGEMENT VIEW インサート配列図 (PIN INSERT VIEWED FROM MATING SIDE ピンインサートを嵌合 側から見た図です)																
CONTACT COMPOSITION コンタクト構成 (SIZE X NO. OF CONTACTS) サイズ×極数	#16X5極	#16X5極	#12X5極	#16X6極	#16X6極	#12X5極 #16X1極	#16X7極	#12X7極	#12X7極	#8X7極	#16X7極 #12X1極	#12X8極	#12X2極(H,I) #16X7極(A-B)	#12X3極(B,F,I) #16X4極 (OTHERS)	#8X3極(B,E,F) #12X6極 (OTHERS)	#16X10極
RATED VOLTAGE WITHSTANDING VOLTAGE 定格電圧・耐電圧	INST	A	A	INST	A	A	A	A	D	A	A	D(H) A(OTHERS)	A	A	A	A(B,C,F,I) INST (OTHERS)

NO. OF CONTACTS 極数	11極	14極				16極	17極	19極	22極	24極
INSERT ARRANGEMENT インサート配列	24-20	20-27	22-19	28-20	24-7	20-29	22-14	28-11	24-28	
INSERT ARRANGEMENT VIEW インサート配列図 (PIN INSERT VIEWED FROM MATING SIDE ピンインサートを嵌合 側から見た図です)										
CONTACT COMPOSITION コンタクト構成 (SIZE X NO. OF CONTACTS) サイズ×極数	#12X2極(E,F) #16X9極(OTHERS)	#16X14極	#16X14極	#12X10極(A~H,J,P) #16X4極(K~N)	#12X2極(N,P) #16X14極(OTHERS)	#16X17極	#16X19極	#12X4極(J~M) #16X18極(OTHERS)	#16X24極	
RATED VOLTAGE WITHSTANDING VOLTAGE 定格電圧・耐電圧	D	A	A	A	A	A	A	A	INST	

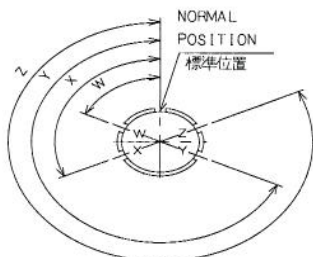
NO. OF CONTACTS 極数	26極	35極	37極	48極	100極
INSERT ARRANGEMENT インサート配列	28-12	32-7	28-21	36-10	48-5
INSERT ARRANGEMENT VIEW インサート配列図 (PIN INSERT VIEWED FROM MATING SIDE ピンインサートを嵌合 側から見た図です)					
CONTACT COMPOSITION コンタクト構成 (SIZE X NO. OF CONTACTS) サイズ×極数	#16X26極	#12X7極(O,P,R~V) #16X28極(OTHERS)	#16X37極	#16X48極	#12X9極(BM,BU,BV,BZ,CA~CC,CE) #8X1極(CD)・#16X90極(OTHERS)
RATED VOLTAGE WITHSTANDING VOLTAGE 定格電圧・耐電圧	A	INST(A,B,H,J) A(OTHERS)	A	A	A

Note *1) Please contact us for other arrangements.

Note *2) CA series are handled conventionally.

Insert rotation Angle

CONTACT SIZE シェルサイズ	INSERT ARRANGEMENT インサート配列	CONTACT COMPOSITION コンタクト構成		RATED VOLTAGE 定格電圧 DW.VOLTAGE 耐電圧	ROTATED ANGLE 回転角度			
		NO. OF CONTACTS	SIZE		W	X	Y	Z
10SL	10SL-3	3	#16	INST	---	---	---	---
	10SL-4	2	#16	INST	---	---	---	---
12S	12S-3	2	#16	A	70	145	215	290
14S	14S-2	4	#16	INST	---	120	240	---
	14S-5	5	#16	INST	---	110	---	---
	14S-6	6	#16	INST	---	---	---	---
	14S-7	3	#16	A	90	180	270	---
	14S-9	2	#16	A	70	145	215	290
16	16-10	3	#12	A	90	180	270	---
16S	16S-1	7	#16	A	80	---	---	280
	16S-4	2	#16	D	35	110	250	325
	16S-5	3	#16	A	70	145	215	290
	16S-8	5	#16	A	---	170	265	---
18	18-1	10	#16	A(B,C,F,O) INST (OTHERS)	70	145	215	290
	18-3	2	#12	D	35	110	250	325
	18-8	8	#12,#16	A	70	---	---	290
	18-10	4	#12	A	---	120	240	---
	18-11	5	#12	A	---	170	265	---
	18-12	6	#16	A	80	---	---	280
	18-16	1	#12	C	---	---	---	---
	18-21	3	#12	A	---	---	---	---
20	20-4	4	#12	D	45	110	250	---
	20-15	7	#12	A	80	---	---	280
	20-16	9	#12,#16	A	80	110	250	280
	20-17	6	#12,#16	A	90	180	270	---
	20-18	9	#12,#16	A	35	110	250	325
	20-23	2	#8	A	35	110	250	325
	20-27	14	#16	A	35	110	250	325
	20-29	17	#16	A	80	---	---	280
22	22-2	3	#8	D	70	145	215	290
	22-14	19	#16	A	80	---	---	280
	22-19	14	#16	A	80	110	250	280
	22-22	4	#8	A	---	110	250	---
	22-23	8	#12	D(H) A(OTHERS)	35	---	250	---
24	24-2	7	#12	D	80	---	---	280
	24-7	16	#12,#16	A	80	110	250	280
	24-10	7	#8	A	80	---	---	280
	24-11	9	#8,#12	A	35	110	250	325
	24-20	11	#12,#16	D	80	110	250	280
24-28	24	#16	INST	80	110	250	280	
28	28-6	3	#4	D	70	145	215	290
	28-11	22	#12,#16	A	80	110	250	280
	28-12	26	#16	A	90	180	270	---
	28-20	14	#12,#16	A	80	110	250	280
	28-21	37	#16	A	80	110	250	280
32	32-7	35	#12,#16	INST (A,B,H,J) A(OTHERS)	80	125	235	280
	32-17	4	#4	D	45	110	250	---
36	36-5	4	#0	A	---	120	240	---
	36-10	48	#16	A	80	125	235	280
48	48-5	100	#8,#12,#16	A	---	---	---	---



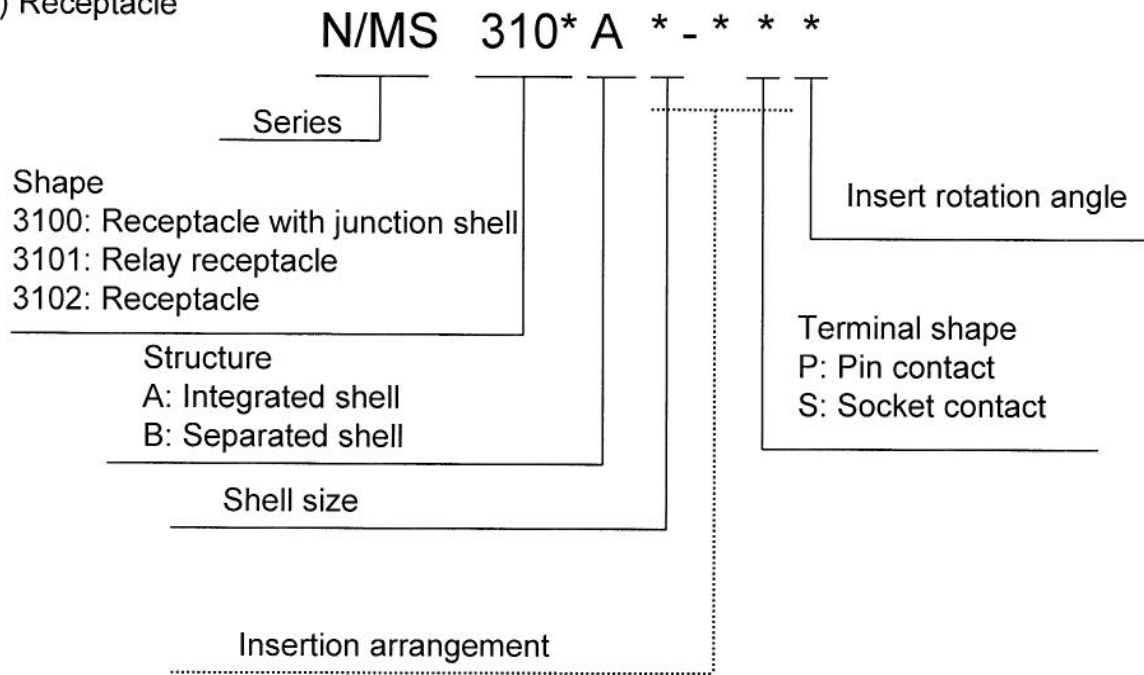
W, X, Y, AND Z IS DESIGNATED TO PRESENT THE ROTATED ANGLE OF SHELL GUIDE KEY AGAINST NORMAL POSITION, REFER THIS TABLE AS THE POSSIBLE ANGLE IS DIFFERENT, DEPENDING ON INSERT ARRANGEMENT, HIS FIGURE OF INSERT ARRANGEMENT IS SHOWN FROM PIN-SIDE MATING FACE.

標準位置に対し、シェルのガイドキーをある角度に変更した位置をW,X,Y,Zの記号で表わします。インサート配列によって変更可能な角度が異なりますので、当表を参照のうえご指示ください。尚、図はインサート配列をピン側嵌合面から見た場合を表わします。

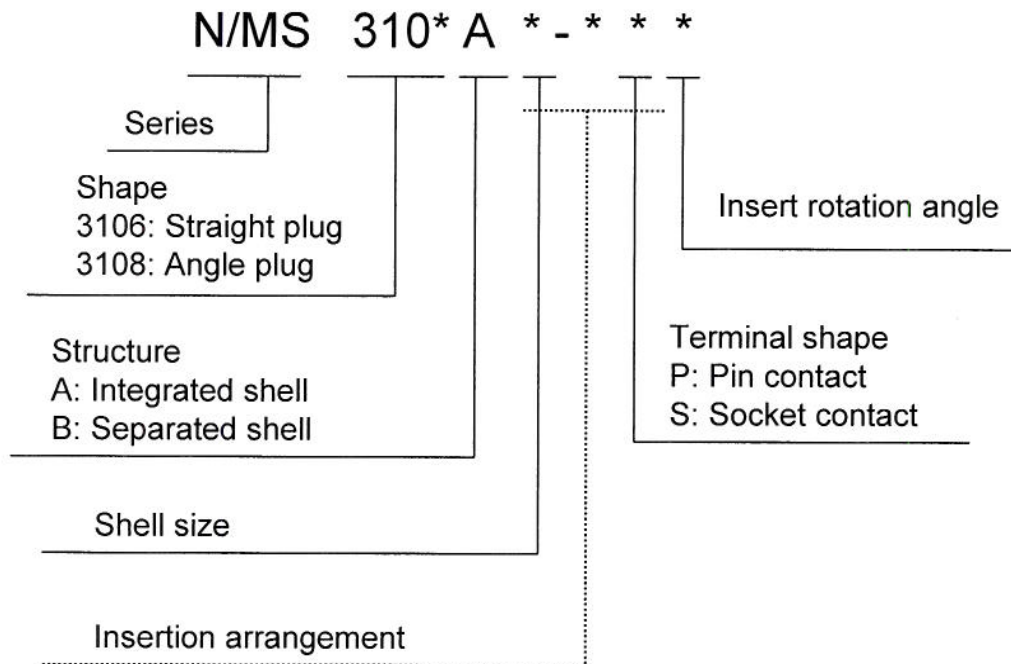
Nomenclature

Connector

1) Receptacle

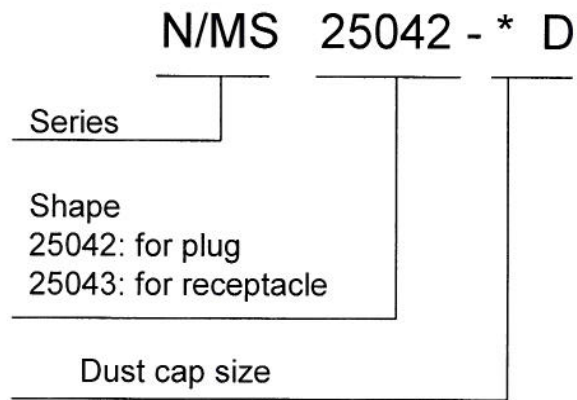


2) Plug

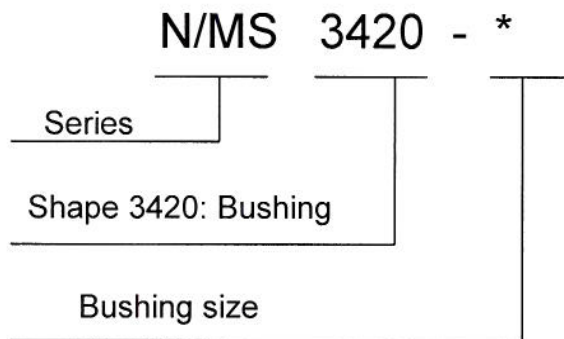


Accessory

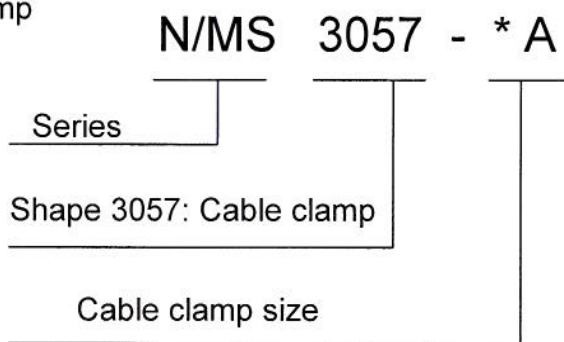
1) Dust cap



2) Bushing



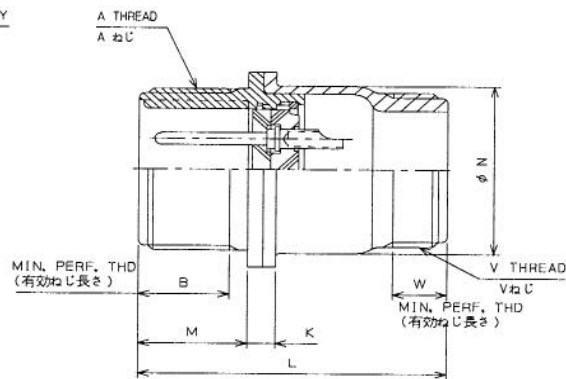
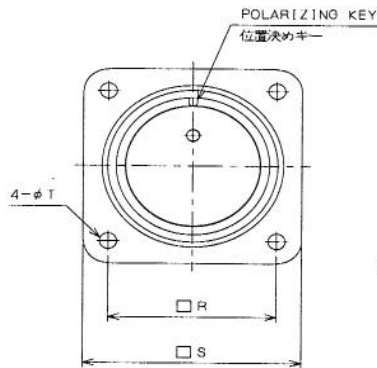
3) Cable clamp



Shape

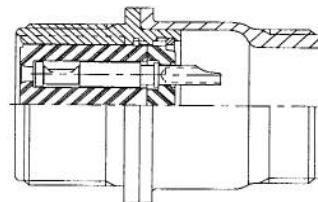
1. Connector

1) N/MS3100A*-***(SJ100901)



PIN INSERT

ピンインサートの場合

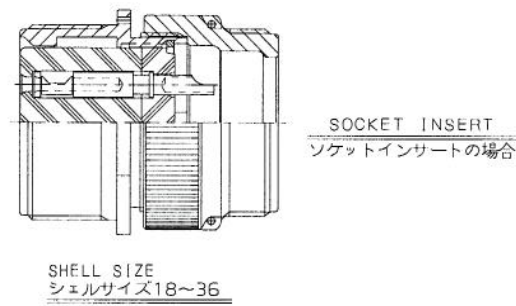
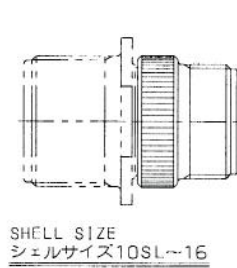
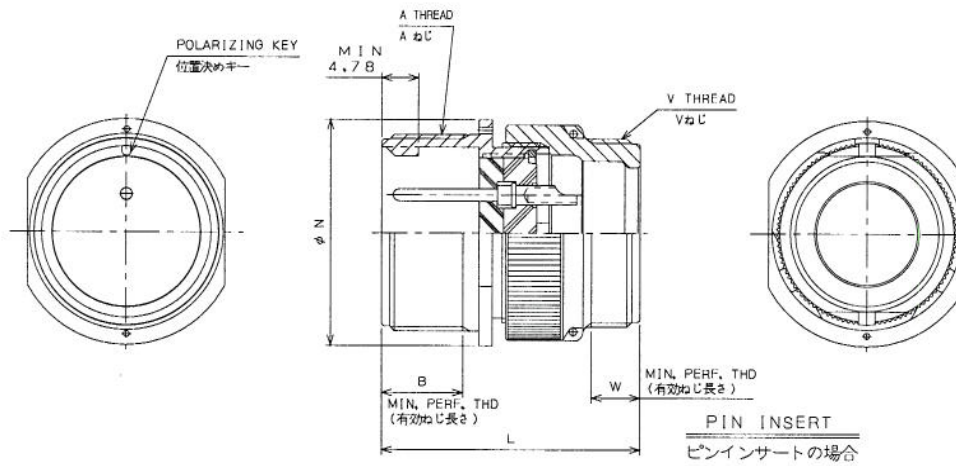


SOCKET INSERT

ソケットインサートの場合

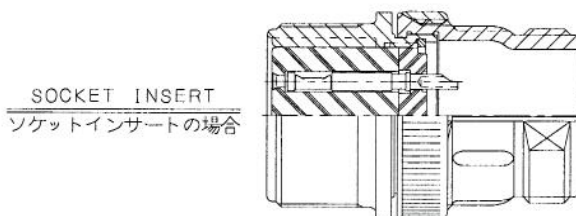
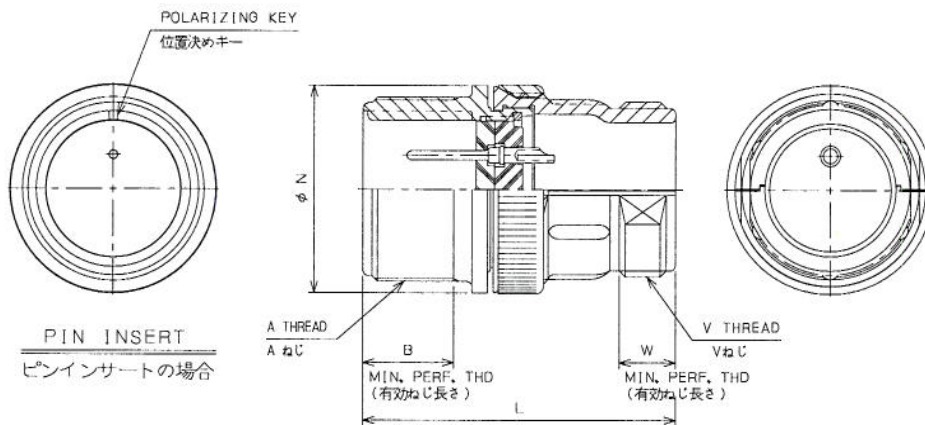
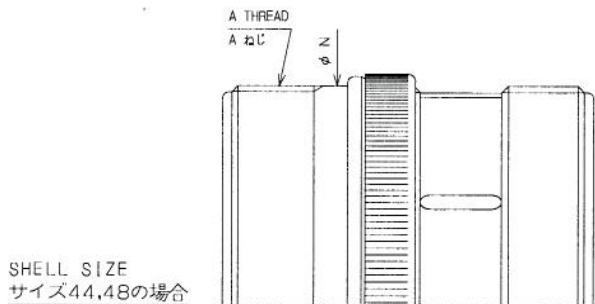
SHELL SIZE シェルサイズ*	A THREAD A ねじ	B ^{MIN.}	K	L ^{MAX.}	M ^{+0.79 0}	N ^{MAX.}	R ^{±0.13}	S ^{±0.79}	T ^{+0.25 -0.13}	V THREAD V ねじ	W ^{MIN.}
10SL	5/8-24UNEF-2A	9.52	3.96/1.57	38.89	14.27	19.86	18.26	25.40	3.05	5/8-24UNEF-2A	9.52
12S	3/4-20UNEF-2A	↑	↑	42.88	↑	19.86	20.62	27.79	↑	5/8-24UNEF-2A	↑
14S	7/8-20UNEF-2A	↓	↑	↓	↓	23.01	23.01	30.18	↑	3/4-20UNEF-2A	↑
16S	1-20UNEF-2A	9.52	↑	42.88	14.27	26.21	24.61	32.54	↑	7/8-20UNEF-2A	↑
12	3/4-20UNEF-2A	15.88	↓	52.37	19.05	19.86	20.62	27.79	↑	5/8-24UNEF-2A	↑
14	7/8-20UNEF-2A	↑	↓	↑	↑	23.01	23.01	30.18	↑	3/4-20UNEF-2A	↑
16	1-20UNEF-2A	↑	3.96/1.57	↓	↑	26.21	24.61	32.54	↑	7/8-20UNEF-2A	↑
18	1 1/8-18UNEF-2A	↑	5.16/2.39	52.37	↑	29.36	26.97	34.92	↑	1-20UNEF-2A	↑
20	1 1/4-18UNEF-2A	↑	↑	55.58	↓	32.56	29.36	38.10	↓	1 3/16-18UNEF-2A	↑
22	1 3/8-18UNEF-2A	↑	↑	55.58	19.05	35.71	31.75	41.28	3.05	1 3/16-18UNEF-2A	↑
24	1 1/2-18UNEF-2A	↑	↓	58.72	20.62	38.91	34.92	44.45	3.73	1 7/16-18UNEF-2A	↓
28	1 3/4-18UNS-2A	↑	5.16/2.39	58.72	20.62	45.26	39.67	50.80	3.73	1 7/16-18UNEF-2A	9.52
32	2-18UNS-2A	↑	9.12/3.18	61.93	22.22	51.61	44.45	57.15	4.39	1 3/4-18UNS-2A	11.13
36	2 1/4-16UN-2A	↑	↑	↓	↑	57.96	49.23	63.50	↑	2-18UNS-2A	12.70
40	2 1/4-16UN-2A	↑	↑	61.93	↑	64.31	55.58	69.85	↑	2 1/4-16UN-2A	12.70
44	2 3/4-16UN-2A	↓	↓	65.07	↓	70.66	60.32	76.20	↓	2 1/2-16UN-2A	14.27
48	3-16UN-2A	15.88	9.12/3.18	65.07	22.22	77.01	66.68	82.55	4.39	3-16UN-2A	15.88

2) N/MS3101A* -***(SJ100902)



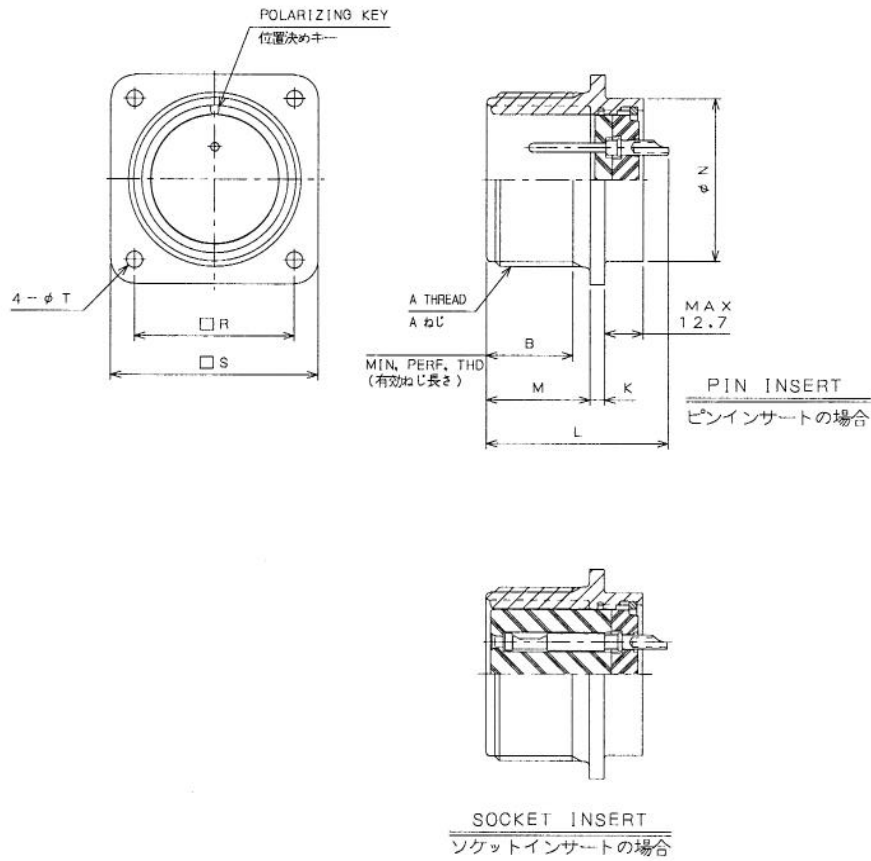
SHELL SIZE シェルサイズ*	A THREAD A ねじ	B ^{MIN.}	L ^{MAX.}	N ^{MAX.}	V THREAD V ねじ	W ^{MIN.}
10SL	5/8-24UNEF-2A	9.52	38.89	24.61	5/8-24UNEF-2A	9.52
12S	3/4-20UNEF-2A	↑	42.88	26.97	5/8-24UNEF-2A	↑
14S	7/8-20UNEF-2A	↓	↑	29.36	3/4-20UNEF-2A	↑
16S	1-20UNEF-2A	9.52	42.88	31.75	7/8-20UNEF-2A	↑
12	3/4-20UNEF-2A	15.88	52.37	26.97	5/8-24UNEF-2A	↑
14	7/8-20UNEF-2A	↑	↑	29.36	3/4-20UNEF-2A	↑
16	1-20UNEF-2A	↑	↓	31.75	7/8-20UNEF-2A	↑
18	1 1/8-18UNEF-2A	↑	52.37	34.14	1-20UNEF-2A	↑
20	1 1/4-18UNEF-2A	↑	55.58	37.31	1 3/16-18UNEF-2A	↑
22	1 3/8-18UNEF-2A	↑	55.58	40.49	1 3/16-18UNEF-2A	↑
24	1 1/2-18UNEF-2A	↑	58.72	43.66	1 7/16-18UNEF-2A	↓
28	1 3/4-18UNS-2A	↑	58.72	50.01	1 7/16-18UNEF-2A	9.52
32	2 -18UNS-2A	↓	61.93	56.36	1 3/4-18UNS-2A	11.13
36	2 1/4-16UN-2A	15.88	61.93	62.71	2 -18UNS-2A	12.70

3 N/MS3101B* -***(SJ100903)



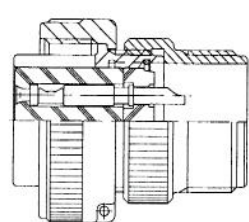
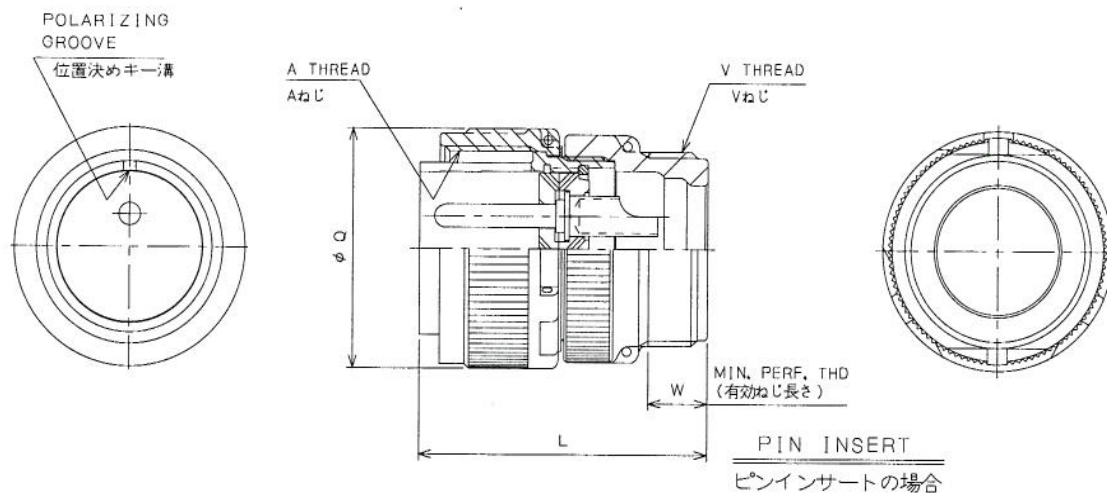
SHELL SIZE シェルサイズ*	A THREAD A ねじ	B ^{MIN.}	L ^{MAX.}	N ^{MAX.}	V THREAD V ねじ	W ^{MIN.}
10SL	5/8-24UNEF-2A	9.52	38.89	24.61	5/8-24UNEF-2A	9.52
12S	3/4-20UNEF-2A	↑	42.88	26.97	5/8-24UNEF-2A	↑
14S	7/8-20UNEF-2A	↑	↑	29.36	3/4-20UNEF-2A	↑
16S	1-20UNEF-2A	9.52	42.88	31.75	7/8-20UNEF-2A	↑
12	3/4-20UNEF-2A	15.88	52.37	26.97	5/8-24UNEF-2A	↑
14	7/8-20UNEF-2A	↑	↑	29.36	3/4-20UNEF-2A	↑
16	1-20UNEF-2A	↑	↑	31.75	7/8-20UNEF-2A	↑
18	1 1/8-18UNEF-2A	↑	52.37	34.14	1-20UNEF-2A	↑
20	1 1/4-18UNEF-2A	↑	55.58	37.31	1 3/16-18UNEF-2A	↑
22	1 3/8-18UNEF-2A	↑	55.58	40.49	1 3/16-18UNEF-2A	↑
24	1 1/2-18UNEF-2A	↑	58.72	43.66	1 7/16-18UNEF-2A	↑
28	1 3/4-18UNS-2A	↑	58.72	50.01	1 7/16-18UNEF-2A	9.52
32	2 -18UNS-2A	↑	61.93	56.36	1 3/4-18UNS-2A	11.13
36	2 1/4-16UN-2A	↑	↑	62.71	2 -18UNS-2A	12.70
40	2 1/4-16UN-2A	↑	61.93	69.06	2 1/4-16UN-2A	12.70
44	2 3/4-16UN-2A	↑	65.07	75.41	2 1/2-16UN-2A	14.27
48	3 -16UN-2A	15.88	65.07	81.76	3 -16UN-2A	15.88

4) N/MS3102A*-*-***(SJ100904)

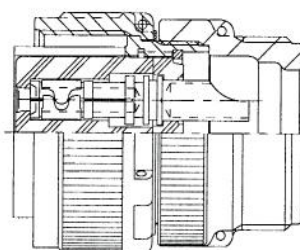


SHELL SIZE シェルサイズ*	A THREAD A ねじ	MIN B	K	MAX L	$M^{+0.79}_0$	$N^{+0}_{-4.78}$	$R^{\pm 0.13}$	$S^{+0.79}$	$T^{+0.25}_{-0.13}$
10SL	5/8-24UNEF-2A	9.52	3.96/1.57	30.25	14.27	19.86	18.26	25.40	3.05
12S	3/4-20UNEF-2A	↑	↑	↑	↑	19.86	20.62	27.79	↑
14S	7/8-20UNEF-2A	↓	↓	↓	↓	23.01	23.01	30.18	↓
16S	1 -20UNEF-2A	9.52		30.25	14.27	26.21	24.61	32.54	
12	3/4-20UNEF-2A	15.88		43.51	19.05	19.86	20.62	27.79	
14	7/8-20UNEF-2A	↑	↓	43.51	↑	23.01	23.01	30.18	
16	1 -20UNEF-2A		3.96/1.57	44.55		26.21	24.61	32.54	
18	1 1/8-18UNEF-2A		5.16/2.39	49.22		29.36	26.97	34.92	
20	1 3/4-18UNEF-2A		↑	↑	↓	32.56	29.36	38.10	↓
22	1 3/8-18UNEF-2A				19.05	35.71	31.75	41.28	3.05
24	1 1/2-18UNEF-2A		↓		20.62	38.91	34.92	44.45	3.73
28	1 3/4-18UNS-2A		5.16/2.39		20.62	45.26	39.67	50.80	3.73
32	2 -18UNS-2A		9.12/3.18	↓	22.22	51.61	44.45	57.15	4.39
36	2 1/4-16UN-2A		↑	49.22	↑	$57.96^{+0}_{-6.35}$	49.23	63.50	↑
40	2 1/2-16UN-2A			55.58		$64.31^{+0}_{-6.35}$	55.58	69.85	↑
44	2 3/4-18UN-2A	↓	↓	55.58	↓	70.66	60.32	76.20	↓
48	3 -16UN-2A	15.88	9.12/3.18	55.58	22.22	77.01	66.68	82.55	4.39

5) N/MS3106A*~***(SJ100905)



SHELL SIZE
シェルサイズ10SL~16

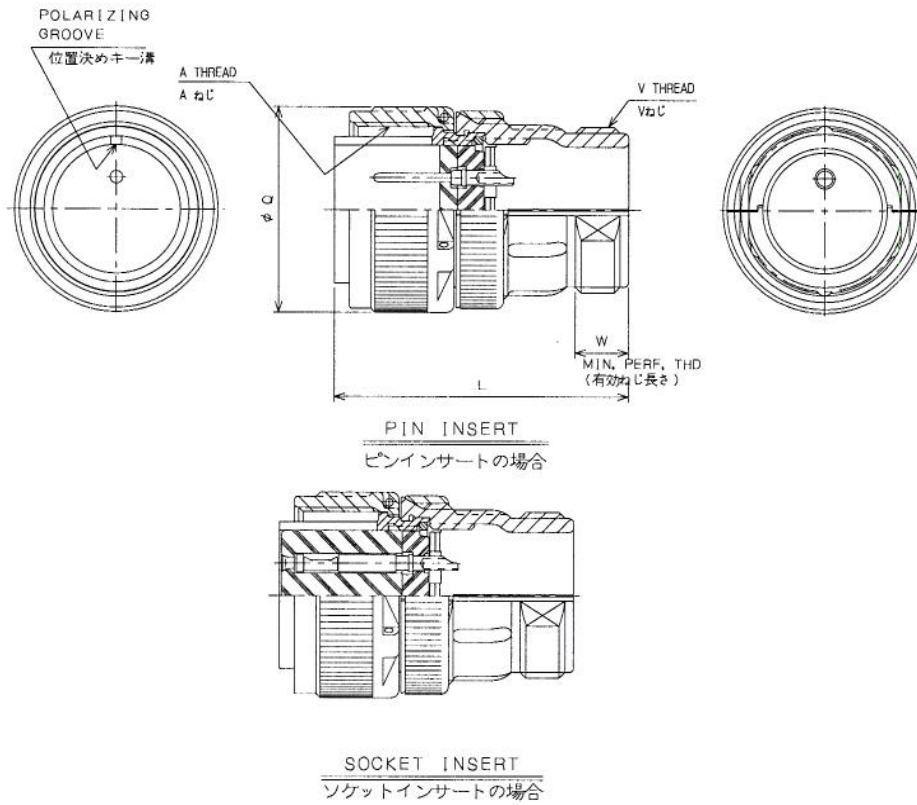


SHELL SIZE
シェルサイズ18S~36

SOCKET INSERT
ソケットインサートの場合

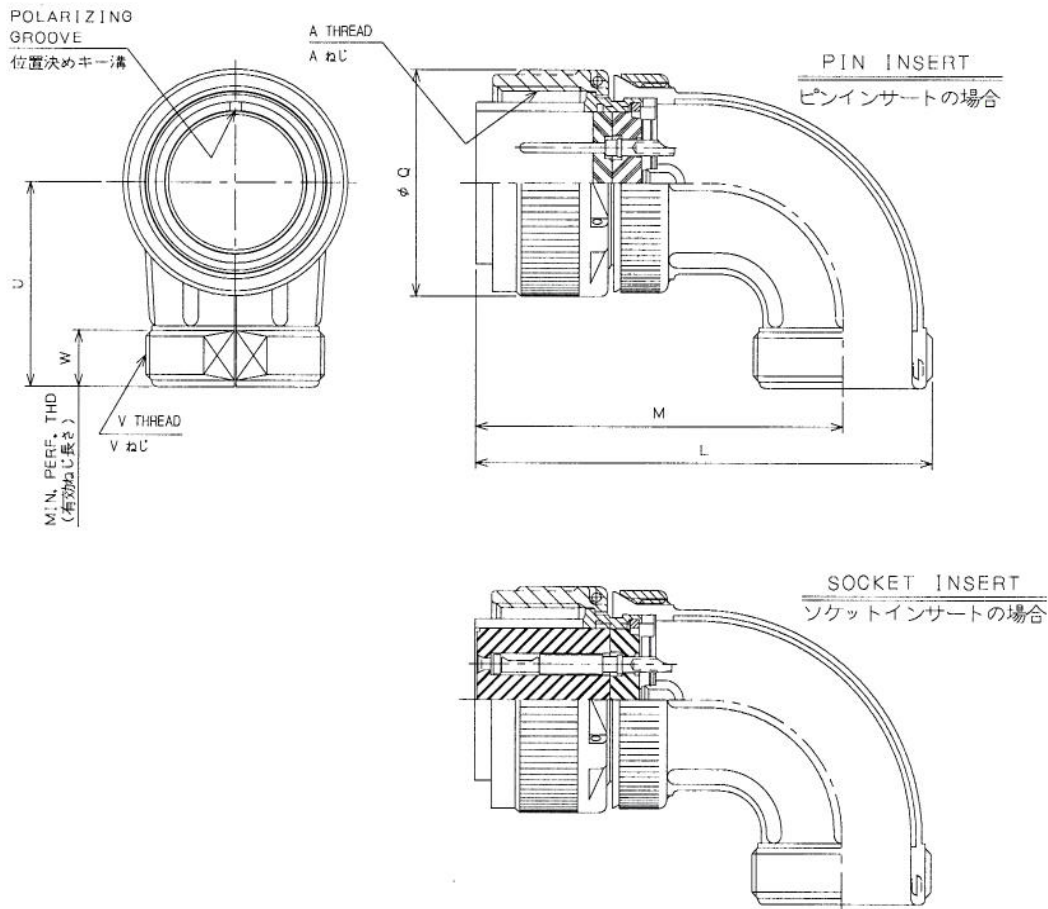
SHELL SIZE シェルサイズ*	A THREAD A ねじ	L ^{MAX}	Q ^{±0.8}	V THREAD V ねじ	W ^{MIN.}
10SL	5/8-24UNEF-2B	38.89	22.2	5/8-24UNEF-2A	9.52
12S	3/4-20UNEF-2B	42.88	24.5	5/8-24UNEF-2A	↑
14S	7/8-20UNEF-2B	↕	28.6	3/4-20UNEF-2A	
16S	1-20UNEF-2B	42.88	31.8	7/8-20UNEF-2A	↓
12	3/4-20UNEF-2B	52.37	25.4	5/8-24UNEF-2A	
14	7/8-20UNEF-2B	↕	28.6	3/4-20UNEF-2A	
16	1-20UNEF-2B	↕	31.8	7/8-20UNEF-2A	↓
18	1 1/8-18UNEF-2B	52.37	34.1	1-20UNEF-2A	
20	1 1/4-18UNEF-2B	55.58	37.3	1 3/16-18UNEF-2A	
22	1 3/8-18UNEF-2B	55.58	40.5	1 3/16-18UNEF-2A	
24	1 1/2-18UNEF-2B	58.72	43.7	1 7/16-18UNEF-2A	↓
28	1 3/4-18UNS-2B	58.72	50.0	1 7/16-18UNEF-2A	
32	2 -18UNS-2B	61.93	56.4	1 3/4-18UNS-2A	11.13
36	2 1/4-16UN-2B	61.93	62.7	2 -18UNS-2A	12.70

6) N/MS3106B*-***(SJ100906)



SHELL SIZE シェルサイズ*	A THREAD A ねじ	L ^{MAX}	Q ^{±0.8}	V THREAD V ねじ	W ^{MIN.}
10SL	5/8-24UNEF-2B	38.89	22.2	5/8-24UNEF-2A	9.52
12S	3/4-20UNEF-2B	42.88	24.5	5/8-24UNEF-2A	↑
14S	7/8-20UNEF-2B	↕	28.6	3/4-20UNEF-2A	
16S	1-20UNEF-2B	42.88	31.8	7/8-20UNEF-2A	↑
12	3/4-20UNEF-2B	52.37	25.4	5/8-24UNEF-2A	
14	7/8-20UNEF-2B	↑	28.6	3/4-20UNEF-2A	↑
16	1-20UNEF-2B	↓	31.8	7/8-20UNEF-2A	
18	1 1/8-18UNEF-2B	52.37	34.1	1-20UNEF-2A	↑
20	1 1/4-18UNEF-2B	55.58	37.3	1 3/16-18UNEF-2A	
22	1 3/8-18UNEF-2B	55.58	40.5	1 3/16-18UNEF-2A	↓
24	1 1/2-18UNEF-2B	58.72	43.7	1 7/16-18UNEF-2A	
28	1 3/4-18UNS-2B	58.72	50.0	1 7/16-18UNEF-2A	9.52
32	2 -18UNS-2B	61.93	56.4	1 3/4-18UNS-2A	11.13
36	2 1/4-16UN-2B	↕	62.7	2 -18UNS-2A	12.70
40	2 1/4-16UN-2B	61.93	69.1	2 1/4-16UN-2A	12.70
44	2 3/4-16UN-2B	65.07	75.4	2 1/2-16UN-2A	14.27
48	3 -16UN-2B	65.07	81.8	3 -16UN-2A	15.88

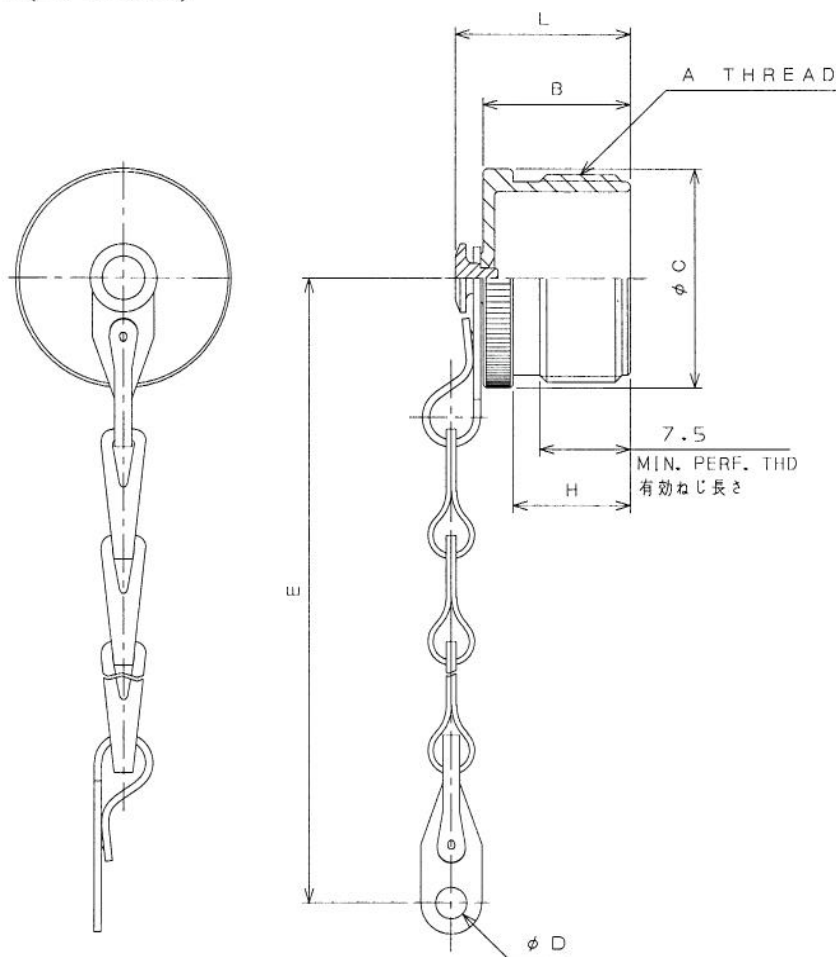
7) N/MS3108B*-***(SJ100907)



SHELL SIZE シェルサイズ*	A THREAD Aねじ	L ^{MAX}	M ± 0.8	Q ± 0.8	U ± 0.8	V THREAD Vねじ	W ^{MIN}
10SL	5/8-24UNEF-2B	46.0	36.9	22.2	25.0	5/8-24UNEF-2A	9.52
12S	3/4-20UNEF-	50.8	41.7	25.4	25.4	5/8-24UNEF-	
14S	7/8-20UNEF-	54.0	43.3	28.6	27.0	3/4-20UNEF-	
16S	1-20UNEF-	60.3	48.0	31.8	28.6	7/8-20UNEF-	
12	3/4-20UNEF-	57.2	46.4	25.4	25.4	5/8-24UNEF-	
14	7/8-20UNEF-	58.7	48.0	28.6	27.0	3/4-20UNEF-	
16	1-20UNEF-	65.1	52.8	31.8	28.6	7/8-20UNEF-	
18	1 1/8-18UNEF-	68.3	54.4	34.1	32.1	1-20UNEF-	
20	1 1/4-18UNEF-	77.0	60.7	37.3	33.7	1 3/16-18UNEF-	
22	1 3/8-18UNEF-	77.0	60.7	40.5	33.3	1 3/16-18UNEF-	
24	1 1/2-18UNEF-	86.5	67.1	43.7	34.9	1 7/16-18UNEF-	
28	1 3/4-18UNS -	86.5	67.1	50.0	38.5	1 7/16-18UNEF-	9.52
32	2-18UNS -	95.2	71.8	56.4	46.4	1 3/4-18UNEF-	11.13
36	2 1/4-16UN -	100.0	73.4	62.7	51.2	2-18UNS -	12.70
40	2 1/2-16UN -	106.4	77.0	69.1	51.2	2 1/4-16UN -	12.70
44	2 3/4-16UN -	112.7	80.2	75.4	56.0	2 1/2-16UN -	14.27
48	3-16UN -2B	125.4	86.5	81.8	59.1	3-16UN -2A	15.88

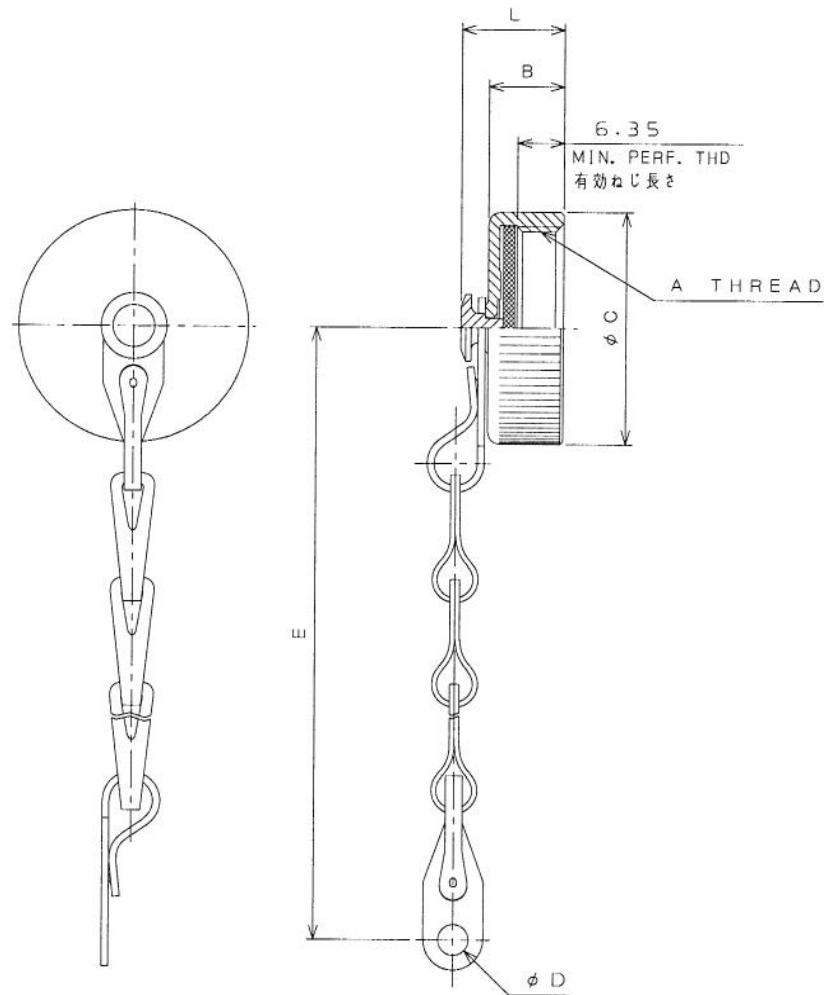
2. Accessory

1) N/MS25042-*D(SJ100908)



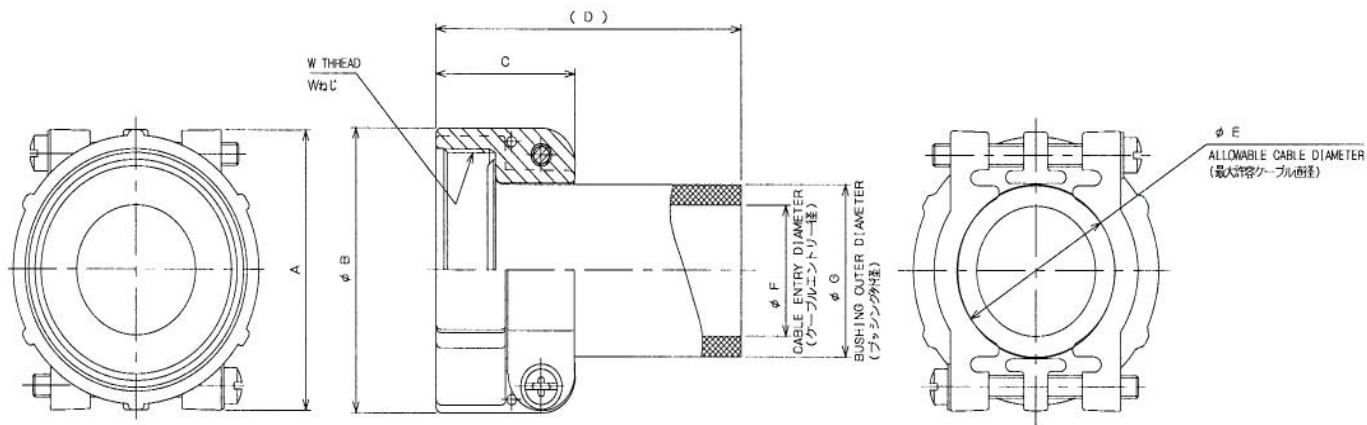
APPLICABLE SHELL SIZE 適合シェルサイズ	PART No. 品名	A THREAD Aねじ	MAX B	MAX C	$+0.25$ $D^{-0.13}$	± 21 E	MIN H	MAX L
10S,10SL	N/MS25042-10D	5/8-24UNEF-2A	16.66	17.45	3.96	101.6	9.65	24.61
12,12S	N/MS25042-12D	3/4-20UNEF-2A	21.44	20.62	↑	114.3	16.00	29.36
14,14S	N/MS25042-14D	7/8-20UNEF-2A	↑	23.80	↑	↑	↑	↑
16,16S	N/MS25042-16D	1-20UNEF-2A	↑	26.97	↓	↓	↑	↑
18	N/MS25042-18D	1 1/8-18UNEF-2A	↑	30.15	3.96	114.3	↑	↑
20	N/MS25042-20D	1 1/4-18UNEF-2A	↑	33.32	4.75	127.0	↑	↑
22	N/MS25042-22D	1 3/8-18UNEF-2A	↑	36.50	↑	127.0	↑	↑
24	N/MS25042-24D	1 1/2-18UNEF-2A	↑	39.67	↓	139.7	↑	↑
28	N/MS25042-28D	1 3/4-18UNS -2A	↑	46.02	4.75	196.8	↑	↑
32	N/MS25042-32D	2-18UNS -2A	↑	52.37	5.54	↑	↓	↑
36	N/MS25042-36D	2 1/4-16UN -2A	↑	58.72	↑	↑	↓	↑
40	N/MS25042-40D	2 1/2-16UN -2A	↑	65.05	↑	↑	16.00	↑
44	N/MS25042-44D	2 3/4-16UN -2A	↓	71.42	↓	↓	14.99	↓
48	N/MS25042-48D	3-16UN -2A	21.44	77.77	5.54	196.8	14.99	29.36

2) N/MS25043-*D(SJ100909)



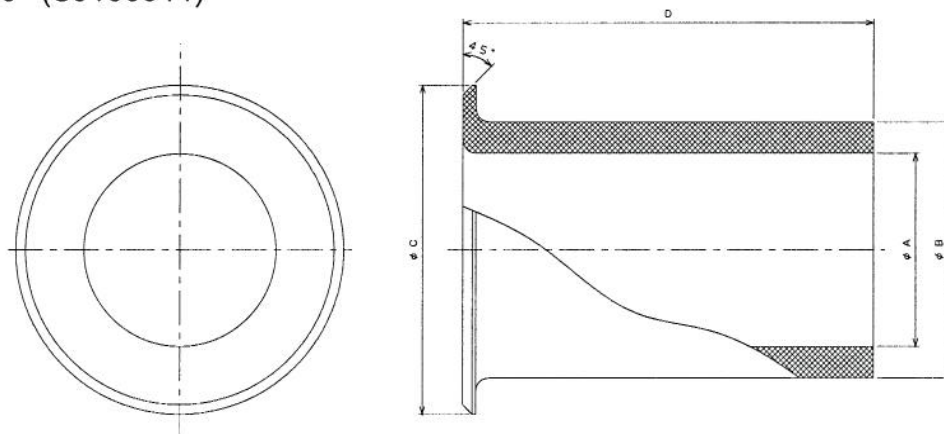
APPLICABLE SHELL SIZE 適合シェルサイズ	PART No. 品名	A THREAD Aねじ	MAX B	MAX C	$+0.25$ -0.13 D	± 21 E	MAX L
10S,10SL	N/MS25043-10D	5/8-24UNEF-2B	11.91	20.70	3.56	101.6	19.05
12,12S	N/MS25043-12D	3/4-20UNEF-2B	↑	25.40	↑	114.3	↑
14,14S	N/MS25043-14D	7/8-20UNEF-2B	↑	28.58	↑	↑	↑
16,16S	N/MS25043-16D	1-20UNEF-2B	↑	30.18	↑	↑	↑
18	N/MS25043-18D	1 1/8-18UNEF-2B	↑	34.14	↓	114.3	↑
20	N/MS25043-20D	1 1/4-18UNEF-2B	↓	37.31	↓	127.0	↑
22	N/MS25043-22D	1 3/8-18UNEF-2B	↓	40.49	3.56	127.0	↓
24	N/MS25043-24D	1 1/2-18UNEF-2B	11.91	43.66	4.34	139.7	19.05
28	N/MS25043-28D	1 3/4-18UNS -2B	13.49	50.01	4.34	196.8	20.62
32	N/MS25043-32D	2-18UNS -2B	↑	56.36	4.75	↑	↑
36	N/MS25043-36D	2 1/4-16UN -2B	↑	62.71	↑	↑	↑
40	N/MS25043-40D	2 1/2-16UN -2B	↓	69.06	↓	↓	↓
44	N/MS25043-44D	2 3/4-16UN -2B	↓	75.41	↓	↓	↓
48	N/MS25043-48D	3-16UN -2B	13.49	80.98	4.75	196.8	20.62

3) N/MS3057-*A(SJ100910)



PART NUMBER 品名	APPLICABLE SHELL SIZE 適合シェルサイズ	CLAMP WIDTH クランプ幅 A ±0.8	DIAMETER ABOVE RIB リップの上 φ B ±0.8	C ±0.8	TOTAL LENGTH 全長 (D)	ALLOWABLE CABLE DIAMETER 最大許容ケーブル径 φ E	SCREW SIZE ねじサイズ		BUILT-IN BUSHING 内蔵ブッシング(N/MS3420)		
							W THREAD W ねじ	QTY. 個	BUSHING PART NUMBER ブッシング品名	φ F	φ G
N/MS3057-4A	10SL, 12S, 12	22.2	20.6	20.6	78.6	7.9	5/8-24UNEF-2B	1	N/MS3420-4	5.6	7.7
N/MS3057-6A	14S, 14	27.0	24.6	22.2	75.4	11.1	3/4-20UNEF-2B	1	N/MS3420-6	7.9	10.9
N/MS3057-8A	16S, 16	29.4	27.8	23.8	71.9	14.3	7/8-20UNEF-2B	1	N/MS3420-8	11.1	14.0
N/MS3057-10A	18	31.8	30.2	23.8	68.8	15.9	1-20UNEF-2B	1	N/MS3420-10	14.3	15.6
N/MS3057-12A	20, 22	36.7	34.9	23.8	65.7	19.0	1-3/16-18UNEF-2B	1	N/MS3420-12	15.9	18.8
N/MS3057-16A	24, 28	42.4	42.1	26.2	63.7	23.8	1-7/16-18UNEF-2B	2	N/MS3420-12, -16	15.9	23.6
N/MS3057-20A	32	51.6	51.6	27.8	62.2	31.8	1-3/4-18UNS-2B	2	N/MS3420-16, -20	19.1	31.5
N/MS3057-24A	36	57.9	56.4	29.4	60.6	34.9	2-18UNS-2B	2	N/MS3420-20, -24	23.8	34.7
N/MS3057-28A	40	68.3	63.5	42.9	59.4	41.3	2-1/4-16UN-2B	3	N/MS3420-20, -24, -28	23.8	41.0
N/MS3057-40A	48	88.9	83.3	44.4	56.5	60.3	3-16UN-2B	3	N/MS3420-28, -32, -40	34.9	60.1

4) N/MS3420-*(SJ100911)



PART NUMBER 品名	φ A ±0.4	φ B ±0.4	φ C ±0.4	D ±0.8
N/MS3420-4	5.6	7.7	12.8	69.8
-6	7.9	10.9	15.7	66.7
-8	11.1	14.0	18.9	63.5
-10	14.3	15.6	22.1	60.3
-12	15.9	18.8	27.0	57.2
-16	19.1	23.6	33.4	54.0
-20	23.8	31.5	40.5	50.8
-24	31.8	34.7	46.9	47.6
-28	34.9	41.0	53.0	44.4
-32	41.3	47.4	59.3	41.3
N/MS3420-40	47.6	60.1	72.0	38.1

N/MS Product Line up

品名
N/MS3100A10SL-3P
N/MS3100A10SL-4P
N/MS3100A12S-3P
N/MS3100A12S-3S
N/MS3100A14S-2P
N/MS3100A14S-2S
N/MS3100A14S-5P
N/MS3100A14S-5S
N/MS3100A14S-6P
N/MS3100A14S-6S
N/MS3100A14S-7P
N/MS3100A14S-7S
N/MS3100A16-10P
N/MS3100A16S-1P
N/MS3100A16S-1S
N/MS3100A18-10S
N/MS3100A18-11P
N/MS3100A18-11S
N/MS3100A18-16P
N/MS3100A18-1P
N/MS3100A18-1S
N/MS3100A18-21S
N/MS3100A18-3S
N/MS3100A20-15P
N/MS3100A20-15S
N/MS3100A20-16P
N/MS3100A20-27P
N/MS3100A20-27S
N/MS3100A20-29P
N/MS3100A20-29S
N/MS3100A22-14P
N/MS3100A22-14S
N/MS3100A22-23S
N/MS3100A24-11S
N/MS3100A24-20P
N/MS3100A24-20S
N/MS3100A24-28P
N/MS3100A24-28S
N/MS3100A28-11S
N/MS3100A28-12S
N/MS3100A28-21P
N/MS3100A32-7P
N/MS3100A32-7S
N/MS3100A36-5S
N/MS3101A10SL-3P
N/MS3101A10SL-4P
N/MS3101A12S-3S
N/MS3101A24-2P
N/MS3101B12S-3P
N/MS3101B12S-3S
N/MS3101B14S-2P
N/MS3101B14S-2S
N/MS3101B14S-5P
N/MS3101B14S-5S
N/MS3101B14S-6P

品名
N/MS3101B14S-6S
N/MS3101B14S-7P
N/MS3101B14S-7S
N/MS3101B14S-9P
N/MS3101B16-10P
N/MS3101B16-10S
N/MS3101B16S-1P
N/MS3101B16S-1S
N/MS3101B16S-1SW
N/MS3101B16S-4P
N/MS3101B16S-4S
N/MS3101B16S-5P
N/MS3101B16S-8P
N/MS3101B16S-8S
N/MS3101B18-10P
N/MS3101B18-10S
N/MS3101B18-11P
N/MS3101B18-11S
N/MS3101B18-11SX
N/MS3101B18-16P
N/MS3101B18-16S
N/MS3101B18-1P
N/MS3101B18-1S
N/MS3101B18-21P
N/MS3101B18-21S
N/MS3101B18-8P
N/MS3101B18-8S
N/MS3101B20-15P
N/MS3101B20-15S
N/MS3101B20-16P
N/MS3101B20-16S
N/MS3101B20-17P
N/MS3101B20-17S
N/MS3101B20-18P
N/MS3101B20-18S
N/MS3101B20-23P
N/MS3101B20-27P
N/MS3101B20-27S
N/MS3101B20-29P
N/MS3101B20-29PW
N/MS3101B20-29S
N/MS3101B20-29SW
N/MS3101B20-4P
N/MS3101B20-4S
N/MS3101B22-14P
N/MS3101B22-14S
N/MS3101B22-19P
N/MS3101B22-19S
N/MS3101B22-22P
N/MS3101B22-22S
N/MS3101B22-23P
N/MS3101B22-23S
N/MS3101B22-2P
N/MS3101B22-2S
N/MS3101B24-10P

品名
N/MS3101B24-10S
N/MS3101B24-11P
N/MS3101B24-11S
N/MS3101B24-20P
N/MS3101B24-20S
N/MS3101B24-20SZ
N/MS3101B24-28P
N/MS3101B24-28S
N/MS3101B24-2P
N/MS3101B24-2S
N/MS3101B24-7P
N/MS3101B24-7S
N/MS3101B28-11P
N/MS3101B28-11S
N/MS3101B28-12P
N/MS3101B28-12S
N/MS3101B28-20P
N/MS3101B28-20S
N/MS3101B28-21P
N/MS3101B28-21PX
N/MS3101B28-21PY
N/MS3101B28-21S
N/MS3101B28-21SW
N/MS3101B28-6P
N/MS3101B28-6S
N/MS3101B32-7P
N/MS3101B32-7S
N/MS3101B36-10P
N/MS3101B36-10S
N/MS3101B36-5S
N/MS3101B48-5S
N/MS3102A10SL-3P
N/MS3102A10SL-4P
N/MS3102A12S-3P
N/MS3102A12S-3PW
N/MS3102A12S-3PX
N/MS3102A12S-3PY
N/MS3102A12S-3S
N/MS3102A12S-3SW
N/MS3102A12S-3SY
N/MS3102A14S-2P
N/MS3102A14S-2S
N/MS3102A14S-2SX
N/MS3102A14S-2SY
N/MS3102A14S-5P
N/MS3102A14S-5S
N/MS3102A14S-5SX
N/MS3102A14S-6P
N/MS3102A14S-6S
N/MS3102A14S-7P
N/MS3102A14S-7PW
N/MS3102A14S-7PX
N/MS3102A14S-7S
N/MS3102A14S-7SW
N/MS3102A14S-7SX

品名
N/MS3102A14S-7SY
N/MS3102A14S-9P
N/MS3102A14S-9S
N/MS3102A16-10P
N/MS3102A16-10PW
N/MS3102A16-10PX
N/MS3102A16-10S
N/MS3102A16-10SW
N/MS3102A16-10SX
N/MS3102A16-10SY
N/MS3102A16S-1P
N/MS3102A16S-1PW
N/MS3102A16S-1S
N/MS3102A16S-1SW
N/MS3102A16S-1SZ
N/MS3102A16S-4P
N/MS3102A16S-4S
N/MS3102A16S-5P
N/MS3102A16S-5S
N/MS3102A16S-8P
N/MS3102A16S-8S
N/MS3102A16S-8SX
N/MS3102A18-10P
N/MS3102A18-10PX
N/MS3102A18-10S
N/MS3102A18-11P
N/MS3102A18-11PX
N/MS3102A18-11S
N/MS3102A18-11SX
N/MS3102A18-11SY
N/MS3102A18-12P
N/MS3102A18-16P
N/MS3102A18-16S
N/MS3102A18-1P
N/MS3102A18-1PW
N/MS3102A18-1PX
N/MS3102A18-1S
N/MS3102A18-1SW
N/MS3102A18-1SX
N/MS3102A18-1SY
N/MS3102A18-21P
N/MS3102A18-21S
N/MS3102A18-3P
N/MS3102A18-3S
N/MS3102A18-8P
N/MS3102A18-8S
N/MS3102A20-15P
N/MS3102A20-15S
N/MS3102A20-15SW
N/MS3102A20-16P
N/MS3102A20-16PW
N/MS3102A20-16S
N/MS3102A20-17P
N/MS3102A20-17S
N/MS3102A20-18P

N/MS Product Line up

品名	品名	品名	品名
N/MS3102A20-18S	N/MS3102A22-2SX	N/MS3102A28-6SW	N/MS3106A20-15P
N/MS3102A20-18SW	N/MS3102A22-2SY	N/MS3102A32-17P	N/MS3106A20-15S
N/MS3102A20-18SX	N/MS3102A22-2SZ	N/MS3102A32-17S	N/MS3106A20-15SW
N/MS3102A20-18SY	N/MS3102A24-10P	N/MS3102A32-7P	N/MS3106A20-16P
N/MS3102A20-18SZ	N/MS3102A24-10PW	N/MS3102A32-7S	N/MS3106A20-16S
N/MS3102A20-23P	N/MS3102A24-10PZ	N/MS3102A36-10P	N/MS3106A20-23P
N/MS3102A20-23S	N/MS3102A24-10S	N/MS3102A36-10S	N/MS3106A20-23S
N/MS3102A20-27P	N/MS3102A24-10SW	N/MS3102A36-10SW	N/MS3106A20-27P
N/MS3102A20-27PW	N/MS3102A24-10SZ	N/MS3102A36-10SX	N/MS3106A20-27S
N/MS3102A20-27PX	N/MS3102A24-11P	N/MS3102A36-10SY	N/MS3106A20-29P
N/MS3102A20-27PY	N/MS3102A24-11S	N/MS3102A36-5P	N/MS3106A20-29S
N/MS3102A20-27S	N/MS3102A24-20P	N/MS3102A36-5PX	N/MS3106A20-29SW
N/MS3102A20-27SW	N/MS3102A24-20S	N/MS3102A36-5S	N/MS3106A20-4P
N/MS3102A20-27SX	N/MS3102A24-20SX	N/MS3102A36-5SX	N/MS3106A20-4S
N/MS3102A20-27SY	N/MS3102A24-20SY	N/MS3102A36-5SY	N/MS3106A22-14P
N/MS3102A20-27SZ	N/MS3102A24-28P	N/MS3102A48-5P	N/MS3106A22-14S
N/MS3102A20-29P	N/MS3102A24-28PW	N/MS3102A48-5S	N/MS3106A22-19P
N/MS3102A20-29PW	N/MS3102A24-28PX	N/MS3106A10SL-3S	N/MS3106A22-19S
N/MS3102A20-29PZ	N/MS3102A24-28PZ	N/MS3106A10SL-4S	N/MS3106A22-22P
N/MS3102A20-29S	N/MS3102A24-28S	N/MS3106A12S-3P	N/MS3106A22-22S
N/MS3102A20-29SW	N/MS3102A24-28SW	N/MS3106A12S-3S	N/MS3106A22-23P
N/MS3102A20-29SZ	N/MS3102A24-28SX	N/MS3106A14S-2P	N/MS3106A22-23S
N/MS3102A20-4P	N/MS3102A24-28SY	N/MS3106A14S-2S	N/MS3106A22-2P
N/MS3102A20-4PW	N/MS3102A24-28SZ	N/MS3106A14S-5P	N/MS3106A22-2S
N/MS3102A20-4PX	N/MS3102A24-2P	N/MS3106A14S-5S	N/MS3106A24-10P
N/MS3102A20-4PY	N/MS3102A24-2S	N/MS3106A14S-6P	N/MS3106A24-10S
N/MS3102A20-4S	N/MS3102A24-7P	N/MS3106A14S-6S	N/MS3106A24-11P
N/MS3102A20-4SW	N/MS3102A24-7PX	N/MS3106A14S-7P	N/MS3106A24-11S
N/MS3102A20-4SX	N/MS3102A24-7S	N/MS3106A14S-7S	N/MS3106A24-20P
N/MS3102A20-4SY	N/MS3102A28-11P	N/MS3106A14S-9P	N/MS3106A24-20S
N/MS3102A22-14P	N/MS3102A28-11S	N/MS3106A14S-9S	N/MS3106A24-28P
N/MS3102A22-14PW	N/MS3102A28-11SX	N/MS3106A16-10P	N/MS3106A24-28S
N/MS3102A22-14S	N/MS3102A28-12P	N/MS3106A16-10S	N/MS3106A24-2P
N/MS3102A22-14SW	N/MS3102A28-12S	N/MS3106A16S-1P	N/MS3106A24-2PW
N/MS3102A22-14SZ	N/MS3102A28-12SW	N/MS3106A16S-1PW	N/MS3106A24-2S
N/MS3102A22-19P	N/MS3102A28-12SX	N/MS3106A16S-1S	N/MS3106A24-2SW
N/MS3102A22-19S	N/MS3102A28-12SY	N/MS3106A16S-4P	N/MS3106A24-7P
N/MS3102A22-22P	N/MS3102A28-20P	N/MS3106A16S-4S	N/MS3106A24-7S
N/MS3102A22-22PX	N/MS3102A28-20S	N/MS3106A16S-5P	N/MS3106A28-11P
N/MS3102A22-22PY	N/MS3102A28-20SW	N/MS3106A16S-5S	N/MS3106A28-11S
N/MS3102A22-22S	N/MS3102A28-20SX	N/MS3106A16S-8P	N/MS3106A28-12P
N/MS3102A22-22SX	N/MS3102A28-21P	N/MS3106A16S-8S	N/MS3106A28-12S
N/MS3102A22-22SY	N/MS3102A28-21PW	N/MS3106A18-10P	N/MS3106A28-20P
N/MS3102A22-23P	N/MS3102A28-21PX	N/MS3106A18-10S	N/MS3106A28-20S
N/MS3102A22-23PW	N/MS3102A28-21PY	N/MS3106A18-11P	N/MS3106A28-21P
N/MS3102A22-23S	N/MS3102A28-21PZ	N/MS3106A18-11S	N/MS3106A28-21PY
N/MS3102A22-23SW	N/MS3102A28-21S	N/MS3106A18-16P	N/MS3106A28-21S
N/MS3102A22-23SY	N/MS3102A28-21SW	N/MS3106A18-1P	N/MS3106A28-6P
N/MS3102A22-2P	N/MS3102A28-21SX	N/MS3106A18-1S	N/MS3106A28-6S
N/MS3102A22-2PW	N/MS3102A28-21SY	N/MS3106A18-21P	N/MS3106A32-7P
N/MS3102A22-2PX	N/MS3102A28-21SZ	N/MS3106A18-21S	N/MS3106A32-7S
N/MS3102A22-2PY	N/MS3102A28-6P	N/MS3106A18-3P	N/MS3106A36-10P
N/MS3102A22-2PZ	N/MS3102A28-6PW	N/MS3106A18-3S	N/MS3106A36-10S
N/MS3102A22-2S	N/MS3102A28-6PY	N/MS3106A18-8P	N/MS3106A36-5P
N/MS3102A22-2SW	N/MS3102A28-6S	N/MS3106A18-8S	N/MS3106B10SL-3S

N/MS Product Line up

品名
N/MS3106B10SL-4S
N/MS3106B12S-3P
N/MS3106B12S-3PW
N/MS3106B12S-3PX
N/MS3106B12S-3PY
N/MS3106B12S-3S
N/MS3106B12S-3SW
N/MS3106B12S-3SX
N/MS3106B12S-3SY
N/MS3106B14S-2P
N/MS3106B14S-2PX
N/MS3106B14S-2PY
N/MS3106B14S-2S
N/MS3106B14S-2SX
N/MS3106B14S-5P
N/MS3106B14S-5S
N/MS3106B14S-5SX
N/MS3106B14S-6P
N/MS3106B14S-6S
N/MS3106B14S-7P
N/MS3106B14S-7PW
N/MS3106B14S-7PX
N/MS3106B14S-7PY
N/MS3106B14S-7S
N/MS3106B14S-7SW
N/MS3106B14S-9P
N/MS3106B14S-9S
N/MS3106B16-10P
N/MS3106B16-10PW
N/MS3106B16-10PX
N/MS3106B16-10PY
N/MS3106B16-10S
N/MS3106B16-10SW
N/MS3106B16-10SX
N/MS3106B16-10SY
N/MS3106B16S-1P
N/MS3106B16S-1PW
N/MS3106B16S-1PZ
N/MS3106B16S-1S
N/MS3106B16S-1SW
N/MS3106B16S-1SZ
N/MS3106B16S-4P
N/MS3106B16S-4S
N/MS3106B16S-5P
N/MS3106B16S-5S
N/MS3106B16S-8P
N/MS3106B16S-8PX
N/MS3106B16S-8S
N/MS3106B18-10P
N/MS3106B18-10S
N/MS3106B18-11P
N/MS3106B18-11PX
N/MS3106B18-11PY
N/MS3106B18-11S
N/MS3106B18-11SX

品名
N/MS3106B18-12P
N/MS3106B18-12S
N/MS3106B18-16P
N/MS3106B18-16S
N/MS3106B18-1P
N/MS3106B18-1PW
N/MS3106B18-1PX
N/MS3106B18-1PY
N/MS3106B18-1S
N/MS3106B18-1SW
N/MS3106B18-1SX
N/MS3106B18-1SY
N/MS3106B18-21P
N/MS3106B18-21S
N/MS3106B18-3P
N/MS3106B18-3S
N/MS3106B18-8P
N/MS3106B18-8S
N/MS3106B20-15P
N/MS3106B20-15PW
N/MS3106B20-15S
N/MS3106B20-16P
N/MS3106B20-16S
N/MS3106B20-16SW
N/MS3106B20-16SX
N/MS3106B20-17P
N/MS3106B20-17S
N/MS3106B20-18P
N/MS3106B20-18S
N/MS3106B20-23P
N/MS3106B20-23S
N/MS3106B20-27P
N/MS3106B20-27PW
N/MS3106B20-27PX
N/MS3106B20-27PY
N/MS3106B20-27PZ
N/MS3106B20-27S
N/MS3106B20-27SW
N/MS3106B20-27SX
N/MS3106B20-27SY
N/MS3106B20-27SZ
N/MS3106B20-29P
N/MS3106B20-29PW
N/MS3106B20-29PX
N/MS3106B20-29PZ
N/MS3106B20-29S
N/MS3106B20-29SW
N/MS3106B20-29SZ
N/MS3106B20-4P
N/MS3106B20-4PW
N/MS3106B20-4PX
N/MS3106B20-4PY
N/MS3106B20-4S
N/MS3106B20-4SW
N/MS3106B20-4SX

品名
N/MS3106B22-14P
N/MS3106B22-14S
N/MS3106B22-14SW
N/MS3106B22-19P
N/MS3106B22-19S
N/MS3106B22-22P
N/MS3106B22-22PX
N/MS3106B22-22PY
N/MS3106B22-22S
N/MS3106B22-22SX
N/MS3106B22-22SY
N/MS3106B22-23P
N/MS3106B22-23PW
N/MS3106B22-23PY
N/MS3106B22-23S
N/MS3106B22-23SW
N/MS3106B22-23SY
N/MS3106B22-2P
N/MS3106B22-2PW
N/MS3106B22-2PX
N/MS3106B22-2PY
N/MS3106B22-2PZ
N/MS3106B22-2S
N/MS3106B22-2SW
N/MS3106B22-2SX
N/MS3106B22-2SY
N/MS3106B22-2SZ
N/MS3106B24-10P
N/MS3106B24-10PW
N/MS3106B24-10PZ
N/MS3106B24-10S
N/MS3106B24-10SW
N/MS3106B24-10SZ
N/MS3106B24-11P
N/MS3106B24-11S
N/MS3106B24-20P
N/MS3106B24-20PZ
N/MS3106B24-20S
N/MS3106B24-28P
N/MS3106B24-28PW
N/MS3106B24-28PX
N/MS3106B24-28PY
N/MS3106B24-28PZ
N/MS3106B24-28S
N/MS3106B24-28SW
N/MS3106B24-28SX
N/MS3106B24-28SY
N/MS3106B24-28SZ
N/MS3106B24-2P
N/MS3106B24-2S
N/MS3106B24-7P
N/MS3106B24-7S
N/MS3106B28-11P
N/MS3106B28-11S
N/MS3106B28-11SW

品名
N/MS3106B28-11SX
N/MS3106B28-11SY
N/MS3106B28-11SZ
N/MS3106B28-12P
N/MS3106B28-12PW
N/MS3106B28-12S
N/MS3106B28-20P
N/MS3106B28-20S
N/MS3106B28-21P
N/MS3106B28-21PW
N/MS3106B28-21PX
N/MS3106B28-21PY
N/MS3106B28-21PZ
N/MS3106B28-21S
N/MS3106B28-21SW
N/MS3106B28-21SX
N/MS3106B28-21SY
N/MS3106B28-21SZ
N/MS3106B28-6P
N/MS3106B28-6S
N/MS3106B28-6SY
N/MS3106B32-17P
N/MS3106B32-17S
N/MS3106B32-7P
N/MS3106B32-7S
N/MS3106B32-7SW
N/MS3106B36-10P
N/MS3106B36-10PW
N/MS3106B36-10PX
N/MS3106B36-10PY
N/MS3106B36-10S
N/MS3106B36-10SW
N/MS3106B36-10SX
N/MS3106B36-10SY
N/MS3106B36-10SZ
N/MS3106B36-5P
N/MS3106B36-5PX
N/MS3106B36-5PY
N/MS3106B36-5S
N/MS3106B48-5P
N/MS3106B48-5S
N/MS3108B10SL-3S
N/MS3108B10SL-4S
N/MS3108B12S-3P
N/MS3108B12S-3S
N/MS3108B14S-2P
N/MS3108B14S-2S
N/MS3108B14S-5P
N/MS3108B14S-5S
N/MS3108B14S-6P
N/MS3108B14S-6S
N/MS3108B14S-7P
N/MS3108B14S-7PX
N/MS3108B14S-7PY
N/MS3108B14S-7S

N/MS Product Line up

品名
N/MS3108B14S-7SW
N/MS3108B14S-7SX
N/MS3108B14S-9P
N/MS3108B14S-9S
N/MS3108B16-10P
N/MS3108B16-10S
N/MS3108B16S-1P
N/MS3108B16S-1S
N/MS3108B16S-5P
N/MS3108B16S-5S
N/MS3108B16S-8P
N/MS3108B16S-8S
N/MS3108B18-10P
N/MS3108B18-10PX
N/MS3108B18-10PY
N/MS3108B18-10S
N/MS3108B18-11P
N/MS3108B18-11PX
N/MS3108B18-11PY
N/MS3108B18-11S
N/MS3108B18-11SX
N/MS3108B18-11SY
N/MS3108B18-12S
N/MS3108B18-16P
N/MS3108B18-16S
N/MS3108B18-1P
N/MS3108B18-1S
N/MS3108B18-21P
N/MS3108B18-21S
N/MS3108B18-3P
N/MS3108B18-3S
N/MS3108B18-8P
N/MS3108B18-8S
N/MS3108B20-15P
N/MS3108B20-15S
N/MS3108B20-16P
N/MS3108B20-16S
N/MS3108B20-17P
N/MS3108B20-17S
N/MS3108B20-18P
N/MS3108B20-18S
N/MS3108B20-23P
N/MS3108B20-23S
N/MS3108B20-27P
N/MS3108B20-27S
N/MS3108B20-27SW
N/MS3108B20-27SY
N/MS3108B20-29P

品名
N/MS3108B20-29S
N/MS3108B20-29SW
N/MS3108B20-29SZ
N/MS3108B20-4P
N/MS3108B20-4S
N/MS3108B22-14P
N/MS3108B22-14S
N/MS3108B22-19P
N/MS3108B22-19S
N/MS3108B22-22P
N/MS3108B22-22PX
N/MS3108B22-22S
N/MS3108B22-22SX
N/MS3108B22-23P
N/MS3108B22-23S
N/MS3108B22-2P
N/MS3108B22-2S
N/MS3108B24-10P
N/MS3108B24-10PW
N/MS3108B24-10S
N/MS3108B24-11P
N/MS3108B24-11S
N/MS3108B24-20P
N/MS3108B24-20S
N/MS3108B24-28P
N/MS3108B24-28PW
N/MS3108B24-28PX
N/MS3108B24-28PY
N/MS3108B24-28PZ
N/MS3108B24-28S
N/MS3108B24-28SW
N/MS3108B24-28SZ
N/MS3108B24-2S
N/MS3108B24-7P
N/MS3108B24-7S
N/MS3108B28-11P
N/MS3108B28-11S
N/MS3108B28-12P
N/MS3108B28-12S
N/MS3108B28-20P
N/MS3108B28-20PW
N/MS3108B28-20S
N/MS3108B28-21P
N/MS3108B28-21PW
N/MS3108B28-21PX
N/MS3108B28-21PY
N/MS3108B28-21S
N/MS3108B28-21SW

品名
N/MS3108B28-21SY
N/MS3108B28-6P
N/MS3108B28-6S
N/MS3108B32-17S
N/MS3108B32-7P
N/MS3108B32-7S
N/MS3108B36-10P
N/MS3108B36-10S
N/MS3108B36-5P
N/MS3108B36-5S
N/MS3108B48-5P
N/MS3108B48-5S
N/MS25042-10D
N/MS25042-12D
N/MS25042-14D
N/MS25042-16D
N/MS25042-18D
N/MS25042-20D
N/MS25042-22D
N/MS25042-24D
N/MS25042-28D
N/MS25042-32D
N/MS25042-36D
N/MS25042-40D
N/MS25042-48D
N/MS25043-10D
N/MS25043-12D
N/MS25043-14D
N/MS25043-16D
N/MS25043-18D
N/MS25043-20D
N/MS25043-22D

品名
N/MS25043-24D
N/MS25043-28D
N/MS25043-32D
N/MS25043-36D
N/MS25043-40D
N/MS25043-48D
N/MS3057-10A
N/MS3057-12A
N/MS3057-12A1
N/MS3057-16A
N/MS3057-16A-(19)
N/MS3057-16A-(21)
N/MS3057-20A
N/MS3057-24A
N/MS3057-28A
N/MS3057-40A
N/MS3057-4A
N/MS3057-6A
N/MS3057-8A
N/MS3420-10
N/MS3420-12
N/MS3420-16
N/MS3420-20
N/MS3420-24
N/MS3420-28
N/MS3420-3
N/MS3420-32
N/MS3420-4
N/MS3420-40
N/MS3420-6
N/MS3420-8

Notice: Products shown in this leaflet are made for the applications listed below. However, if the above-mentioned products are to be used in aerospace devices, marine cable-connection devices, atomic power control systems, medical equipment for life-support systems, or any other specific application requiring extremely high reliability, please contact JAE for further information.

Recommended applications: Computers, Office machines, Measuring devices, Telecommunication devices (Terminals, Mobile devices), AV devices, Household applications, FA devices, etc.

Japan Aviation Electronics Industry, Limited

Product Marketing Division

Aobadai Building, 3-1-19, Aobadai, Meguro-ku, Tokyo 153-8539

Phone: +81-3-3780-2787 FAX: +81-3-3780-2946

Mouser Electronics

Authorized Distributor

Click to View Pricing, Inventory, Delivery & Lifecycle Information:

[JAE Electronics:](#)

[N/MS3420-3](#)