

General purpose crocodile clip, manufactured from nickel plated steel. This product has been engineered to allow fine wires to be held securely by an undercut turned brass clamping screw. There is a rear entry that will accept 4mm plugs.

MATERIAL

CLIP

Mild Steel,  
Nickel plated

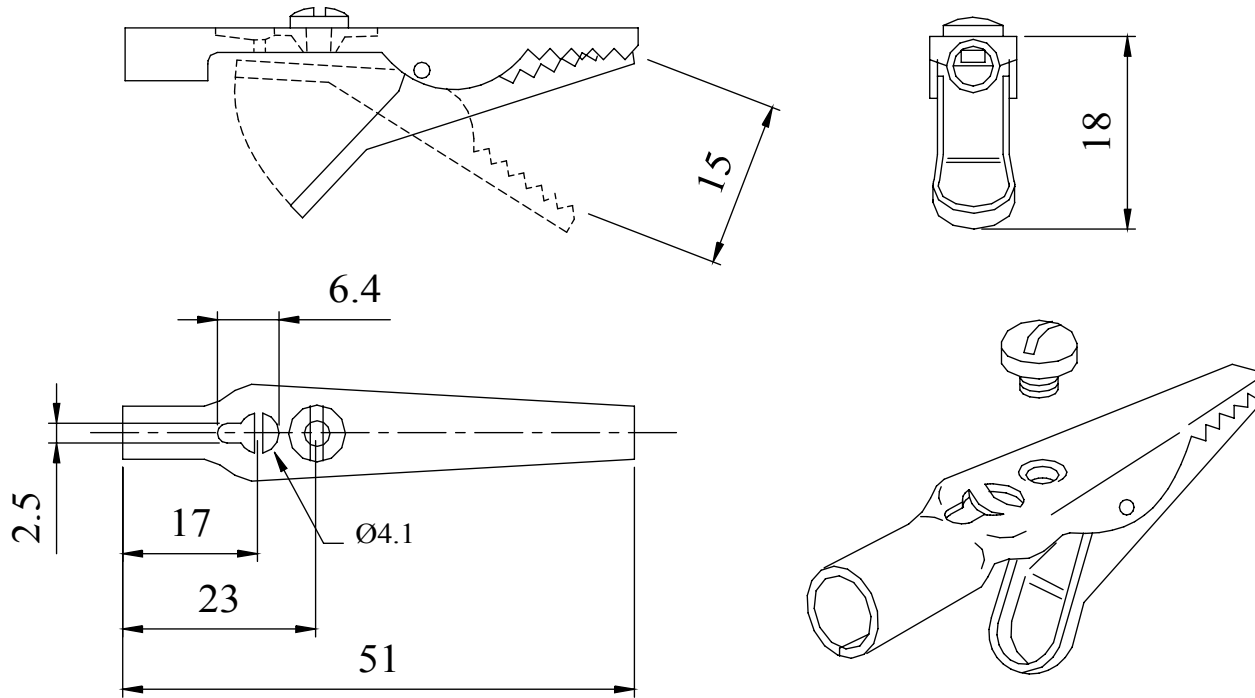
SCREW

Brass,  
BS 2874 CZ121

Current Rating: 5 Amps

RATED VOLTAGE: 50V

### Dimensions



Tel No. +44(0)1724 273200 Website www.dem-uk.com

PROPRIETARY AND CONFIDENTIAL  
THE INFORMATION CONTAINED IN THIS DRAWING IS THE SOLE PROPERTY OF  
ALPHA 3 MANUFACTURING.  
ANY REPRODUCTION IN PART OR AS A WHOLE WITHOUT THE WRITTEN PERMISSION OF  
ALPHA 3 MANUFACTURING IS PROHIBITED.

UNLESS OTHERWISE SPECIFIED:  
DIMENSIONS ARE IN MILLIMETRES  
LINEAR TOLERANCE:  
NO DECIMAL PLACES  $\pm 0.5\text{mm}$   
1 DECIMAL PLACE  $\pm 0.25\text{mm}$   
2 DECIMAL PLACES  $\pm 0.125\text{mm}$   
ANGULAR TOLERANCE:  $\pm 1^\circ$



DEM Manufacturing, Deltron Emcon House  
Hargreaves Way, Sawcliffe Ind. Park,  
Scunthorpe, North Lincolnshire, DN15 8RF, UK

FINISH SEE NOTE

DEBURR AND BREAK  
SHARP EDGES

DRAWN BY

SPB

APPROVED BY

WC

THIRD ANGLE PROJECTION

SHEET 1 OF 1



SCALE 1:1

A4

TITLE GENERAL SPECIFICATION  
CROCODILE CLIP  
303-0000-09

DRAWING NO. 303-0000-09

ISSUE 01

Release

MATERIAL

SEE NOTE