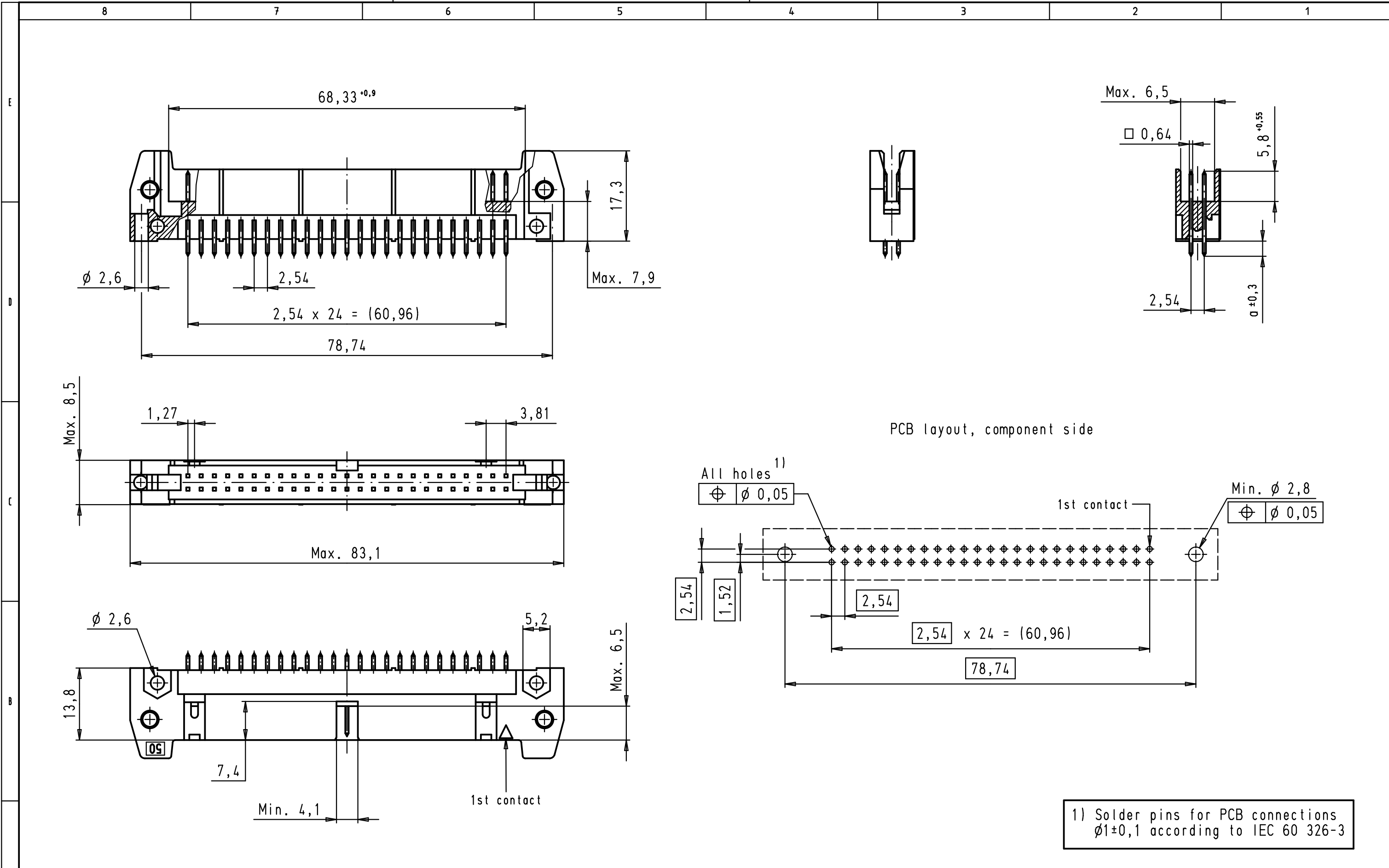


Alle Rechte vorbehalten/ All rights reserved



1) Solder pins for PCB connections  
φ1±0,1 according to IEC 60 326-3

09 18 550 7922	3	4,5
09 18 550 6922	2	4,5
09 18 550 5922	0,76 μm Au	4,5
09 18 550 7924	3	2,9
09 18 550 6924	2	2,9
09 18 550 5924	0,76 μm Au	2,9
Part number	Performance level	a

				Det.	Name	 All Dim. in mm Orig. Size DIN A 3	SEK 18 Male Connector Standard 50 poles Straight solder pins Without locking levers	Maßstab/ Scale 1,5:1	
				Detail.	01/12/99				JB
				Insp.					
34900	29/01/08	LP		Stand.					
27931	15/06/00	JB							
26554	01/12/99	JB							
Mod.	Det.	Name	HARTING EURL F-95972 Paris				<b>TB 09 18 550 X92X</b>	Blatt/ Page 1 / 2	
									Sub.