

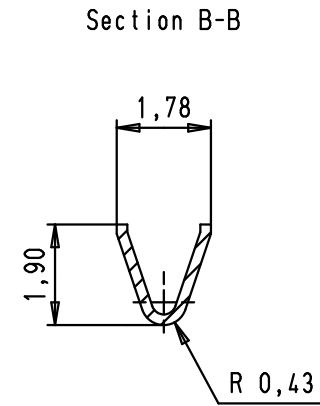
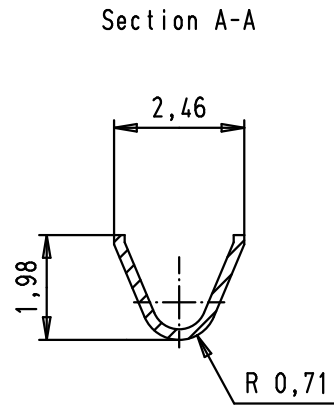
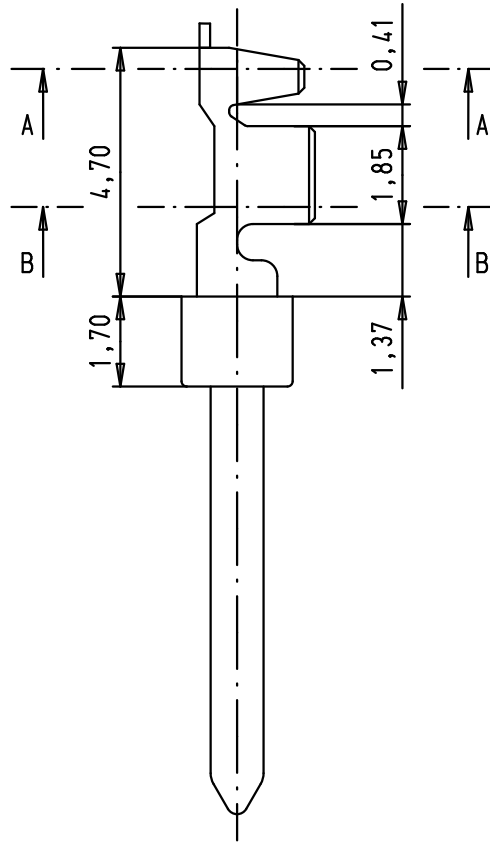
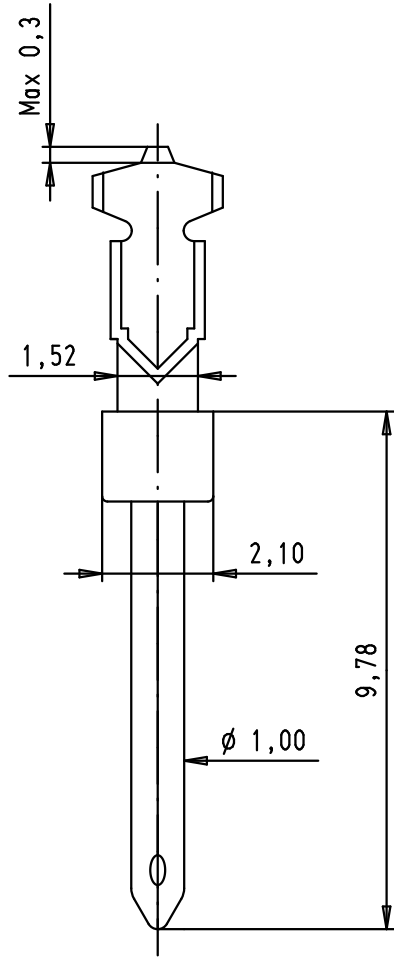
5

4

3

2

1



Base material: brass
 Plating: sliding contact selective gold plated over nickel
 nickel plated crimp area
 Number of contacts per bag: 500

				Dot.	Name	 All Dim. in mm Orig. Size DIN A 4	D-Sub, stamped male AWG 20-24 crimp contact, bag packaging	Maßstab/ Scale 7:1
			Detail.	24/03/03	PP			
			Insp.					
			Stand.					
09 67 000 8178	PL2	33937	05/03/07	PK	HARTING EURL F-95972 Paris		TB 09 67 000 817X	Blatt/ Page 1 / 1
09 67 000 8177	PL3	32716	18/02/05	AL				
09 67 000 8176	PL1	31475	24/03/03	PP				
Part number	Performance level	Mod.	Dot.	Name				

