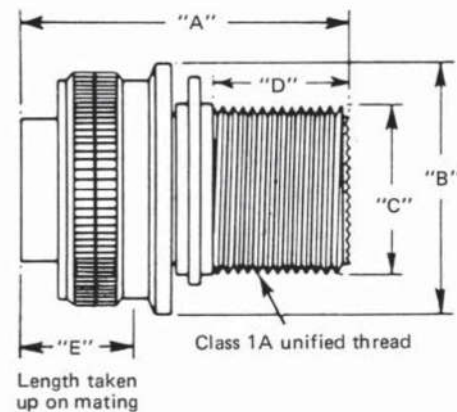


ALUMINIUM RANGE

Shell Style 9000

FREE UNIT

Shell style 9000 is the basic free unit of the range of aluminium UK-AN connectors and can be supplied as either a socket in all shell sizes or as a plug in sizes 12s to 36 inclusive.



UK-AN Code Number by Shell Size	Overall Length A	Coupling Nut Diameter B	Thread Dimensions C	Rear Thread D	Length of Engagement E	Average Weight (Ounces)	
						Plug	Socket
UK-AN-9000-10s†	1.45"	0.85"	0.500" x 24 TPI	0.468"	0.54"	0.7	0.7
UK-AN-9000-12s†	1.50"	0.97"	0.625" x 24 TPI	0.665"	0.54"	0.8	0.9
UK-AN-9000-14s†	1.50"	1.09"	0.750" x 20 TPI	0.655"	0.54"	1.0	1.1
UK-AN-9000-16†	1.67"	1.23"	0.875" x 20 TPI	0.594"	0.73"	1.6	1.8
UK-AN-9000-18†	1.67"	1.35"	1.000" x 20 TPI	0.594"	0.73"	1.9	2.2
UK-AN-9000-20†	1.67"	1.48"	1.125" x 18 TPI	0.582"	0.73"	2.3	2.6
UK-AN-9000-22†	1.67"	1.60"	1.250" x 18 TPI	0.582"	0.73"	2.7	3.2
UK-AN-9000-24†	1.67"	1.73"	1.375" x 18 TPI	0.582"	0.73"	3.0	3.5
UK-AN-9000-28†	1.67"	1.98"	1.625" x 18 TPI	0.572"	0.73"	4.2	4.8
UK-AN-9000-32†	1.67"	2.20"	1.750" x 18 TPI	0.572"	0.73"	4.9	6.7
UK-AN-9000-36†	1.67"	2.48"	2.000" x 18 TPI	0.582"	0.73"	5.6	7.1

† Contact arrangements (see pages 6 to 9) and 'P' or 'S' to denote plug or socket must be added to complete the UK-AN code number.

A typical code number is UK-AN-9000-16-11-S.

Unless otherwise specified, all units will contain an insulator of high-grade silicone rubber to provide maximum general performance. A special kerosene resistant unit can be

obtained by specifying the symbol "E.T." in the code number. Further details are given on page 4.