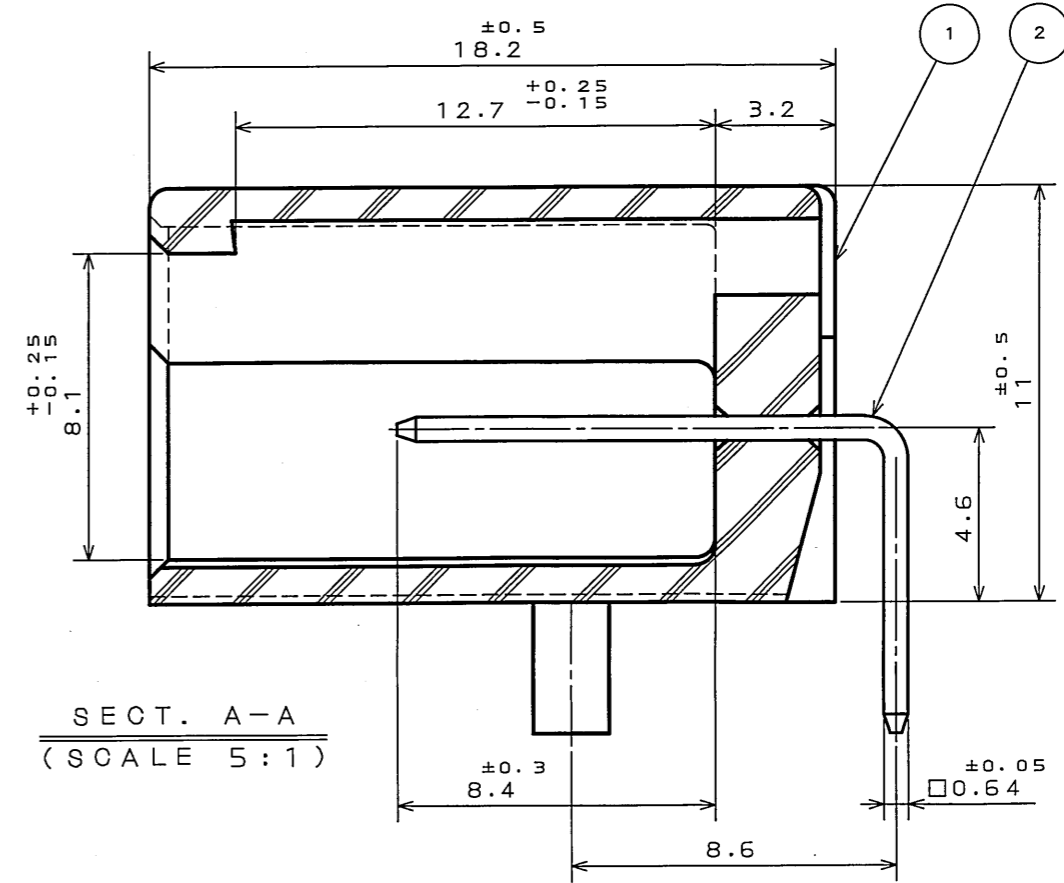
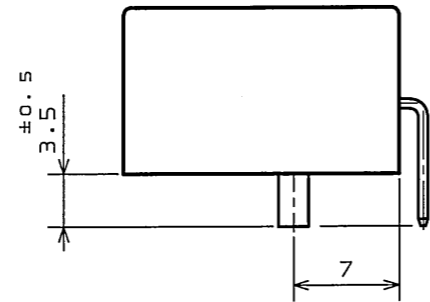
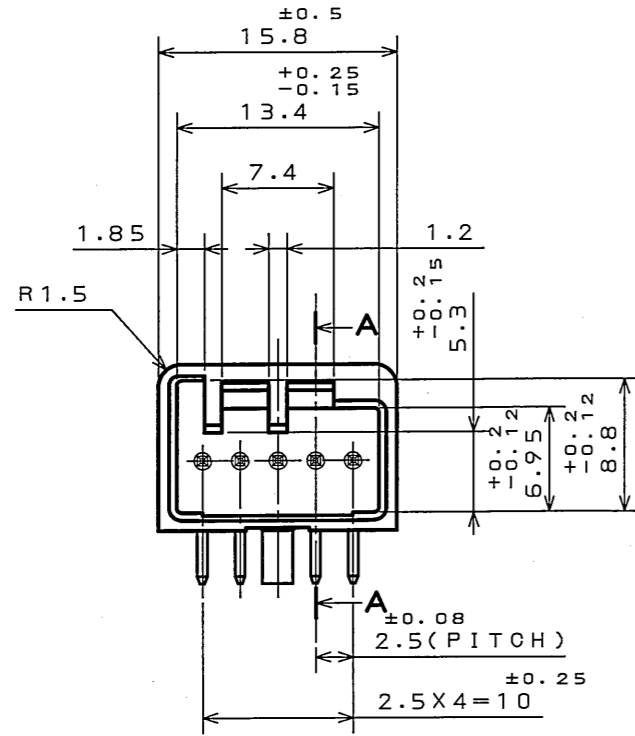
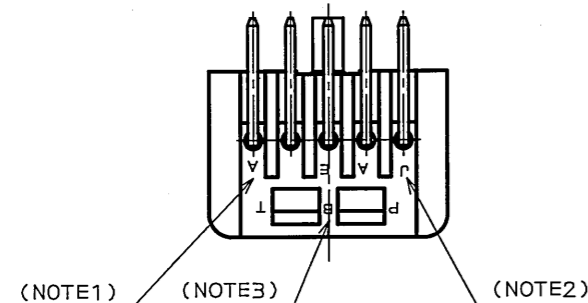
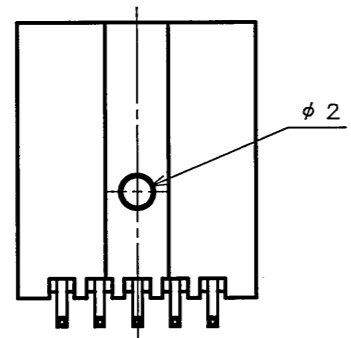


SJ023245  
(ON 0NIMARD) 品書理図

| 版数<br>REV. | 年月日<br>DATE | DCN NO. | 変更内容<br>DESCRIPTION                      | 製図<br>DR. | 担当<br>CHK. | 査閲<br>APPD. | 承認<br>APPD.  |
|------------|-------------|---------|--|-----------|------------|-------------|--------------|
| 2          | 8.Sep.2003  | 053208  | CHANGED TO BILINGUAL<br>AND REDRAWN etc. |           | S.HARA     | T. Okabe    | H. Yamaguchi |



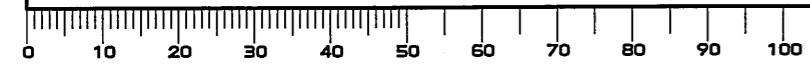
SECT. A-A  
(SCALE 5:1)



- NOTE1. MOLD CAVITY DESIGNATOR APPEARS IN RAISED LETTERS.  
 2. COMPANY LOGO "JAE" APPEARS IN RAISED LETTERS.  
 3. MATERIAL MARK APPEARS IN RAISED LETTERS.  
 4. CONTACT TIP IS NOT PLATED AT POINT OF BREAK OFF.
- 注1. 金型マークを浮き出す。  
 2. 社標を浮き出す。  
 3. 材料マークを浮き出す。  
 4. コンタクト先端部に、めっきは付かない。

| 符号<br>NO.                        | 名称<br>DESCRIPTION | 個数<br>QTY.                         | 材料<br>MATERIAL | 仕上<br>FINISH                                    | 備考<br>REMARKS     |
|----------------------------------|-------------------|------------------------------------|----------------|---|-------------------|
| 2                                | CONTACT           | 5                                  | BRASS          | TIN PLATING                                     |                   |
| 1                                | INSULATOR         | 1                                  | P B T          |   | COLOR: LIGHT BLUE |
| 仕様書 (SPECIFICATION)<br>JACS-1309 |                   | 第1版 (ORIGINAL DATE)<br>11.Nov.1988 |                | JAE-CONNECTOR.COM<br>Reference Only             |                   |
| 公差 (GENERAL TOLERANCE)           |                   | 製図<br>DR. H.TUCHIYA                |                | 名称 (TITLE)<br>IL-A05-5PK<br>-S3L2-LB            |                   |
| 寸法 (DIMENSION)                   |                   | 担当<br>CHK. Y. ICHIYAMA             |                | JAPAN AVIATION<br>ELECTRONICS<br>INDUSTRY, LTD. |                   |
| 角度 (ANGLES)                      |                   | 査閲<br>APPD. I. IIMORI              |                | 図面番号 (DRAWING NO.)<br>SJ023245                  |                   |
| . ±0.2                           |                   | 承認<br>APPD. K.TAKEDA               |                | 重量 (WEIGHT)                                     |                   |
| .X ±0.2                          |                   |                                    |                | 重量 (WEIGHT)                                     |                   |
| .XX ±                            |                   |                                    |                | 重量 (WEIGHT)                                     |                   |
| .XXX ±                           |                   |                                    |                | 重量 (WEIGHT)                                     |                   |

DOF-0-212E(03.08)



# Mouser Electronics

Authorized Distributor

Click to View Pricing, Inventory, Delivery & Lifecycle Information:

[JAE Electronics:](#)

[IL-AG5-5PK-S3L2-LB](#)