

**SPECIFICATIONS**

**Mechanical**

**Connector Mating Force:** 4.54kgf max.  
**Connector Un mating Force:** 0.34kgf min.  
**Durability:** 500Cycles

**Electrical**

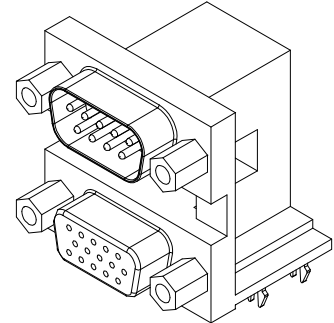
**Current Rating:** 2A  
**Contact Resistance:** 30mΩ max.  
**Dielectric Withstanding Voltage:** 1000V AC/min  
**Insulation Resistance:** 5000MΩ min.

**Physical**

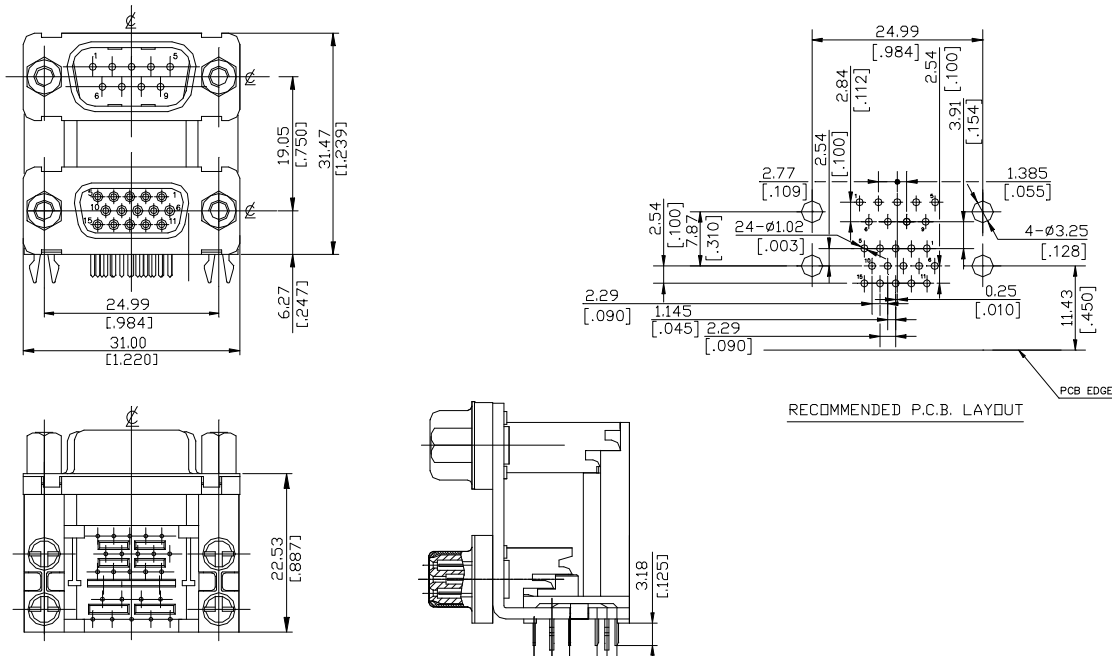
**Housing:** Thermoplastic, UL 94V-0 rated  
**Contact:** Copper alloy  
**Plating:** See "ORDERING INFORMATION"  
**Operating Temperature:** -55°C to +125°C

**D-SUB Connector**

**DM Series**  
**Right Angle Type**  
**2.77mm**  
**[.109"]+2.29mm[.090"] Pitch**  
**9 Pos.+15 Pos.**



**DRAWING**



**ORDERING INFORMATION**

**PRODUCT NO.:** DM 1 0 1 9 \* - H553 - 4F

