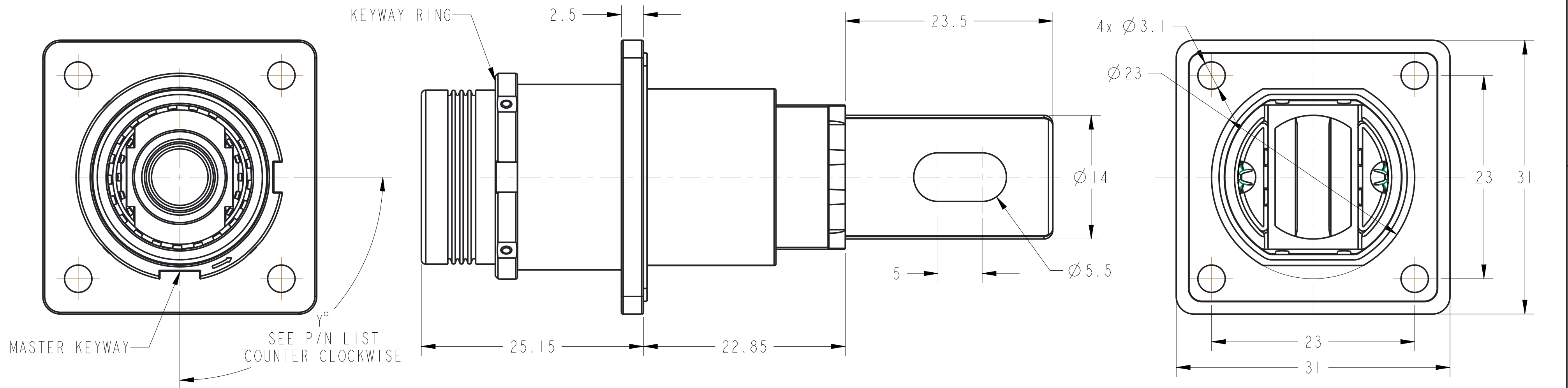


REV. A	SHEET 1 OF 1	DOCUMENT NO. C10-738726-()
REVISIONS		
REV	DESCRIPTION	DATE
A	PREMININARY REVISION	2016-07-06

GENERAL TOLERANCE

DIM. RANGE	0.5 ~ 3	> 3 ~ 6	> 6 ~ 30	> 30 ~ 120	> 120 ~ 400
TOLERANCE	±0.1	±0.1	±0.2	±0.3	±0.5

CUSTOMER DRAWING



MFG PART NUMBER: C10-738726-() () () ()

BASE NUMBER

COLOR OF FINGER PROOF HEAD, SEE TABLE

PIN TYPE, SEE TABLE

SEALING, SEE TABLE

KEYWAY, SEE TABLE

ITEM	DESCRIPTION	CODE NUMBER	MFG NUMBER
COLOR OF FINGER PROOF HEAD	ORANGE	1	O
	BLACK	2	B
	RED	3	R
PIN TYPE	BUSBAR	1	B
	SEALING	IP 67	0
SEALING	NO SEALING	1	N
	KEYWAY (Y°)	90°	0
270°		1	1
60°		2	2
120°		3	3
KEYWAY (Y°)	150°	4	4

CODE NUMBER REFERENCE: SLPIRB()P() () () E H

BASE NUMBER

PIN TYPE, SEE TABLE

SEALING, SEE TABLE

COLOR OF FINGER PROOF HEAD, SEE TABLE

KEYWAY, SEE TABLE

EMI

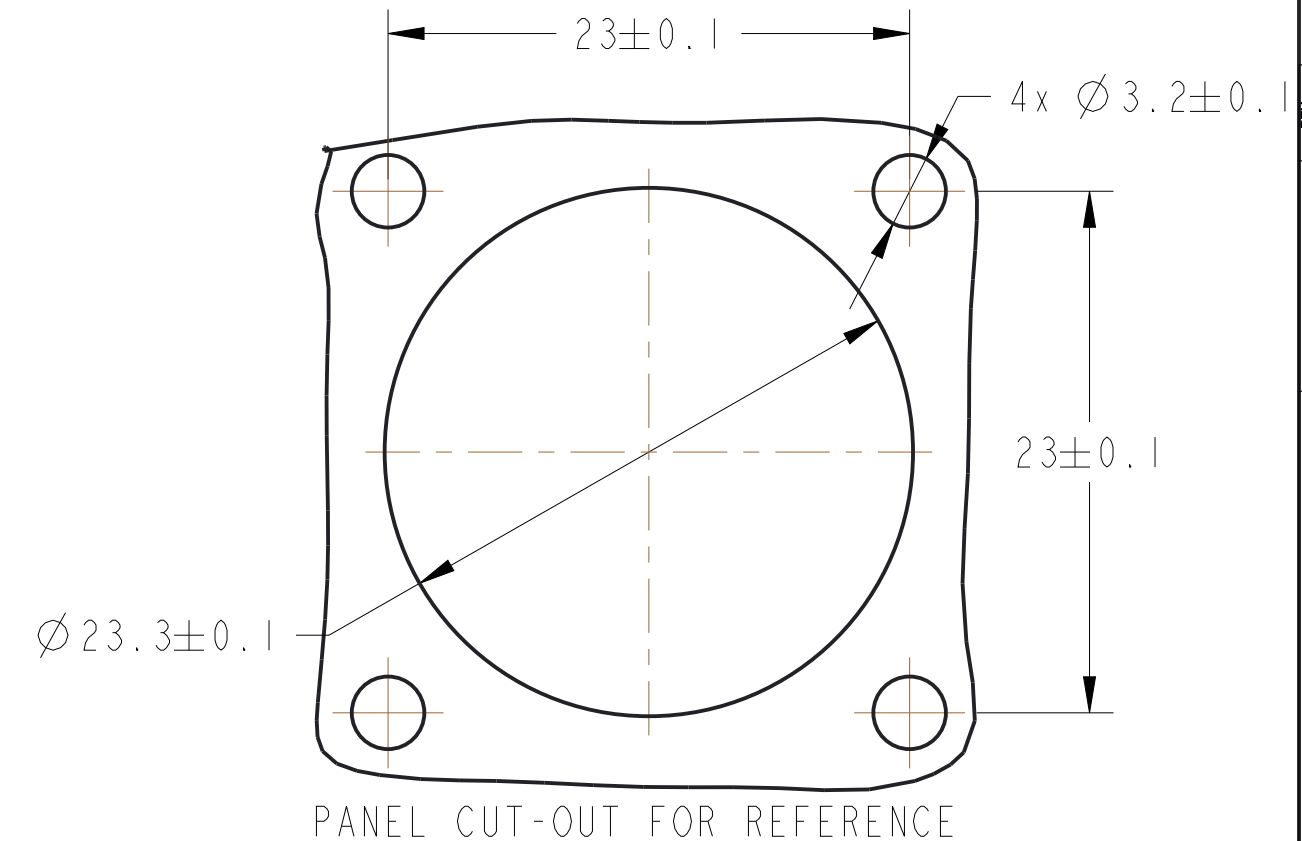
HVIL



NOTES:
 1. THE REFERENCED PRODUCT IS IN COMPLIANCE WITH THE MAXIMUM CONCENTRATION VALUES(MCVS) AS SET BY ROHS 2.0 DIRECTIVE 2011/65/EU AND ANNEX II AMENDMENT DIRECTIVE (EU)2015/863.

THIS DOCUMENT CONTAINS PROPRIETARY INFORMATION AND SUCH INFORMATION MAY NOT BE DISCLOSED TO OTHERS FOR ANY PURPOSE OR USED FOR MANUFACTURING PURPOSES WITHOUT WRITTEN PERMISSION FROM THE AMPHENOL CORP.

N/A	PRO/ENGINEER INFORMATION
NEXT ASSEMBLY	Pro/e Model Used:
METRIC DOCUMENT	Drawing Name:
	C10-738726_A.BROAD



SPECIFICATIONS

CURRENT RATING	250 Amps MAX
OPERATING VOLTAGE	1000V DC/AC
OPERATING TEMPERATURE	-40°C-125°C
PROTECTION CLASS	IP67 (MATED)

UNLESS OTHERWISE SPECIFIED	SPECIFICATIONS	POS	QTY	PART NUMBER	DESCRIPTION	NOTE																
LINEAR DIMENSIONS ARE IN: MILLIMETERS	MATERIAL SPEC. N/A	PARTS LIST																				
TOLERANCES: ANGLES= ±2° DEFAULT LINEAR TOLERANCES SEE TABLE	PROCESS SPEC. N/A	APPROVALS																				
DIM. & TOL. PER ASME Y14.5M-1994; DRW PER MIL-DTL-31000; OTHER AMPHENOL STANDARDS: 9-9318	LEGENDS: △=FLAG NOTE CALL OUT REFERENCE ONLY	<table border="1"> <tr> <td>PREPARED BY</td> <td>GRACE YANG</td> <td>DATE</td> <td>JUL-06-17</td> </tr> <tr> <td>ENGINEER IN CHARGE</td> <td>EVANS JIANG</td> <td></td> <td></td> </tr> <tr> <td>DESIGN MANAGER</td> <td>ROB WENG</td> <td></td> <td></td> </tr> <tr> <td>DESIGN ACTIVITY GROUP</td> <td>C&I</td> <td></td> <td></td> </tr> </table>					PREPARED BY	GRACE YANG	DATE	JUL-06-17	ENGINEER IN CHARGE	EVANS JIANG			DESIGN MANAGER	ROB WENG			DESIGN ACTIVITY GROUP	C&I		
PREPARED BY	GRACE YANG	DATE	JUL-06-17																			
ENGINEER IN CHARGE	EVANS JIANG																					
DESIGN MANAGER	ROB WENG																					
DESIGN ACTIVITY GROUP	C&I																					
		AMPHENOL INDUSTRIAL OPERATIONS Amphenol Technology(Zhuhai)Co.,Ltd No.63, Xinghan Road, Sanzao Town, Jinwan, Zhuhai, PRC 8.0MM SURLOK PLUS WITH EMI, RECEPTACLE																				
		THIRD ANGLE PROJECTION	SIZE C	CAGE CODE 77820	DOCUMENT NO. C10-738726-()	REV. A																
			SCALE: 3.0	REF. N/A	SHEET 1 OF 1																	

DOCUMENT NO. C10-738726-()
 SHEET 1 OF 1
 REV. A

DOCUMENT NO. C10-738726-()
 SHEET 1 OF 1
 REV. A

Mouser Electronics

Authorized Distributor

Click to View Pricing, Inventory, Delivery & Lifecycle Information:

[Amphenol:](#)

[SLPIRBBPSR0EH](#) [SLPIRBBPSR1EH](#) [SLPIRBBPSR2EH](#) [SLPIRBBPSR3EH](#) [SLPIRBBPSR4EH](#) [SLPIRBBPSB4EH](#)
[SLPIRBBPSO0EH](#) [SLPIRBBPSO1EH](#) [SLPIRBBPSO2EH](#) [SLPIRBBPSO3EH](#) [SLPIRBBPSO4EH](#) [SLPIRBBPSB0EH](#)
[SLPIRBBPSB1EH](#) [SLPIRBBPSB2EH](#) [SLPIRBBPSB3EH](#) [SLPIRBBPS24EH](#) [SLPIRBBPS30EH](#) [SLPIRBBPS31EH](#)
[SLPIRBBPS32EH](#) [SLPIRBBPS33EH](#) [SLPIRBBPS34EH](#) [SLPIRBBPS20EH](#) [SLPIRBBPS21EH](#) [SLPIRBBPS22EH](#)
[SLPIRBBPS23EH](#) [SLPIRBBPS10EH](#) [SLPIRBBPS11EH](#) [SLPIRBBPS12EH](#) [SLPIRBBPS13EH](#) [SLPIRBBPS14EH](#)