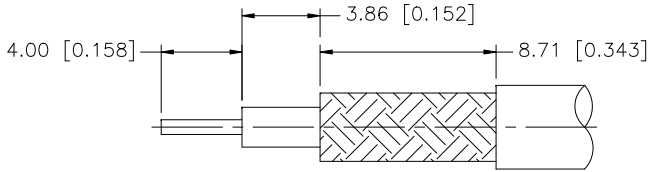
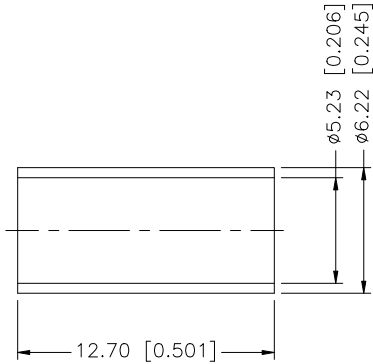
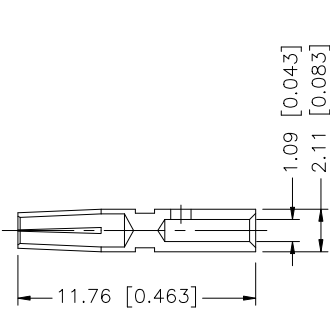
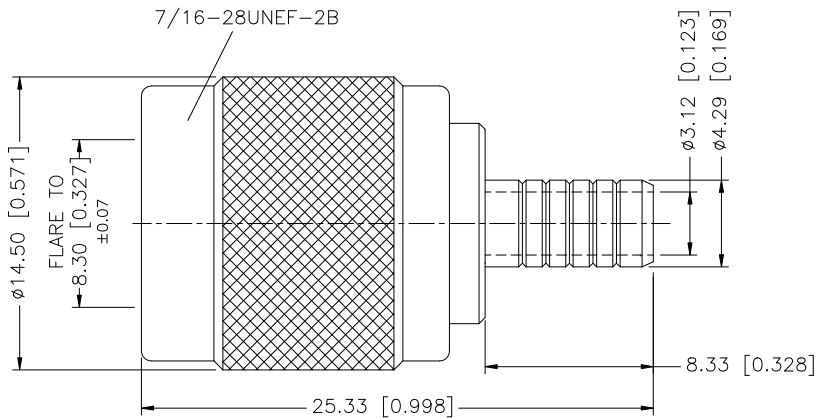


| REV. | DATE | DESCRIPTION |
|------|----------|---|
| A | 02/24/03 | UPDATE DRAWING FORMAT |
| B | 06/30/07 | REVISE BODY LENGTH, CONTACT PIN, FERRULE DIMENSIONS |



RECOMMENDED
CABLE STRIPPING DIMS.



NOTE:

1. CRIMPED FERRULE HEX CRIMP SIZE .213"
2. CRIMPED CONTACT PIN HEX CRIMP SIZE .068"

| | | | | APPROVALS | DATE | <h1 style="color: blue;">Amphenol Connex</h1> | | | | | | | | | | |
|---|-------------|--------------|---------|-----------|----------|---|-----------------|--|--|----------|---|--|----------|--------------|------|---|
| 8 | | | | DRAWN | G.R.S. | | | | | 06/30/07 | TNC REVERSE POLARITY CRIMP PLUG (FOR RG-58C/U CABLE) | | | | | |
| 7 | | | | CHECKED | | | 122108RP | | | | | | | | | |
| 6 | | | | ISSUED | | | | | | | 122108RP | | | | | |
| 5 | FERRULE | COPPER | NICKEL | 1 | SHEET | 1 OF 1 | 122108RP | | | | | | | | | |
| 4 | GASKET | RUBBER | RED | 1 | | | | | | | 122108RP | | | | | |
| 3 | CONTACT PIN | PHOS. BRONZE | GOLD | 1 | | | 122108RP | | | | | | | | | |
| 2 | INSULATOR | TEFLON | NATURAL | 1 | | | | | | | 122108RP | | | | | |
| 1 | SHELL/BODY | BRASS | NICKEL | 1 | | | 122108RP | | | | | | | | | |
| | DESCRIPTION | MATERIAL | FINISH | QTY | CAD FILE | | | | | | 122108RP | | DWG. NO. | 122108RP.DWG | REV. | B |

UNLESS OTHERWISE SPECIFIED DIMENSIONS ARE IN MILLIMETERS. DIMENSIONS IN [] ARE IN INCHES AND FOR CUSTOMER REFERENCE ONLY.

UNLESS OTHERWISE SPECIFIED TOLERANCES FOR MILLIMETERS ARE:
0.5 - 8mm ± 0.20mm
8 - 30mm ± 0.40mm
30 - 120mm ± 0.50mm

UNLESS OTHERWISE SPECIFIED TOLERANCES FOR INCHES ARE:
.020 - .315 = ± 0.007"
.315 - 1.180 = ± 0.015"
1.180 - 4.724 = ± 0.020"

DO NOT SCALE DRAWING

C:/122/122108RP.DWG