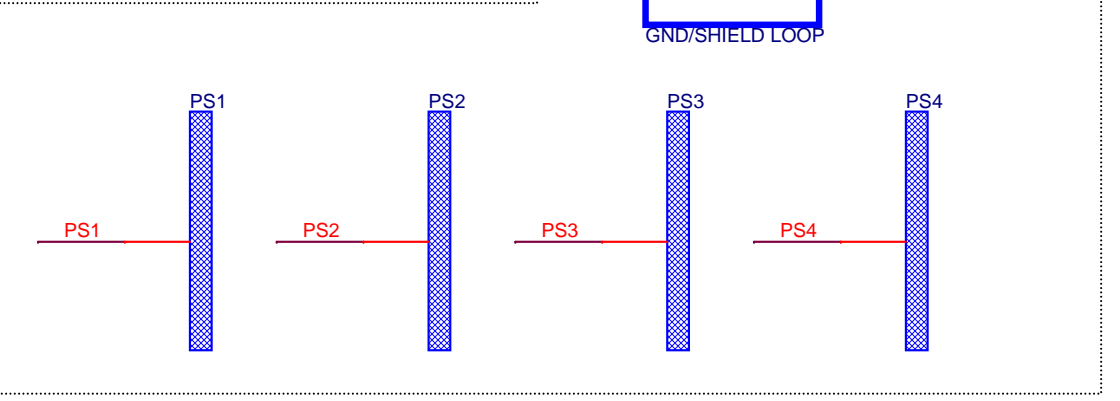
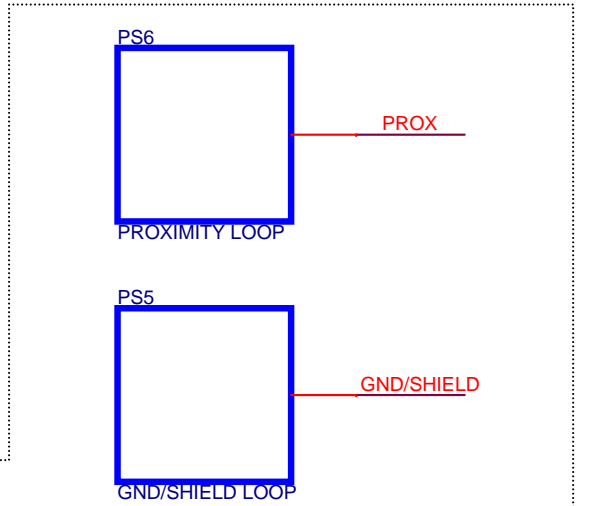
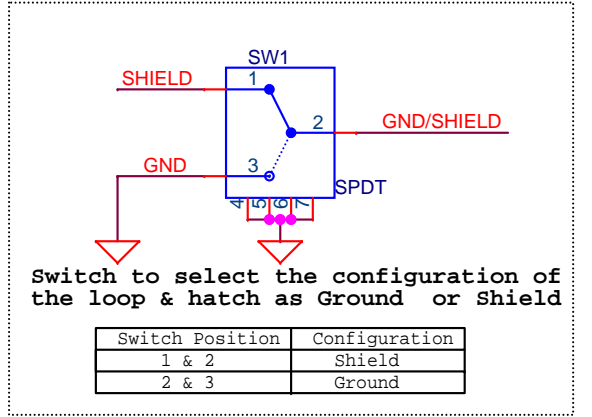
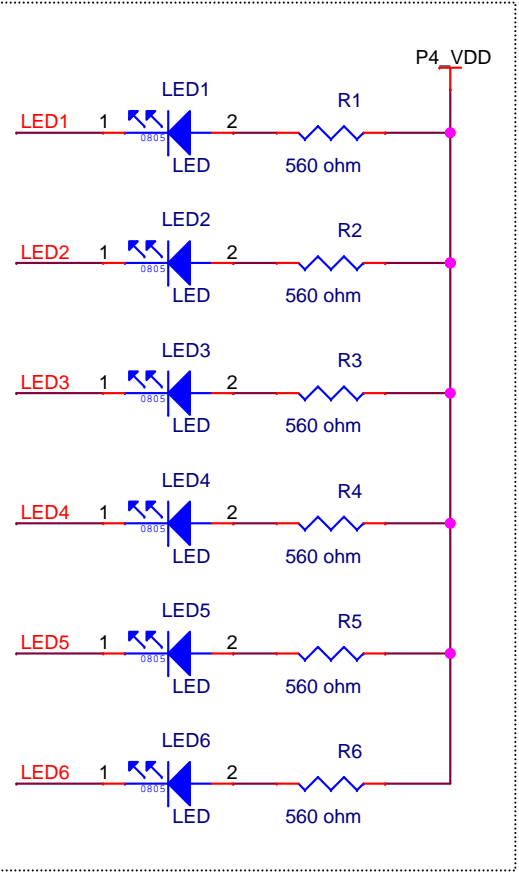


(J1- J4) Arduino Connectors

FUNCTION	CY8CKIT-040 PINS	CY8CKIT-042 PINS
PS1	P1.7	P0.6
PS2	P0.5	P0.4
PS3	P0.1	P2.1
PS4	P1.0	P1.0
PROX	P0.3	P0.0
SHIELD	P0.6	P0.5
LED1	P1.5	P3.6
LED2	P1.4	P2.6
LED3	P0.7	P0.7
LED4	P2.0	P2.7
LED5	P0.0	P2.0
LED6	P1.6	P3.4
CMOD	P0.4	P4.2
CTANK	P0.2	P4.3



CYPRESS SEMICONDUCTOR © 2014

Title: **CY8CKIT-024 CAPSENSE PROXIMITY SHIELD**

Size: Document Number **630-60203-01** Rev **02**

Date: Thursday, June 12, 2014 Sheet 1 of 1

PCA: 121-60171-01
 PCB: 600-60203-01
 FAB DRW: 610-60195-01
 ASSY DRW: 620-60203-01