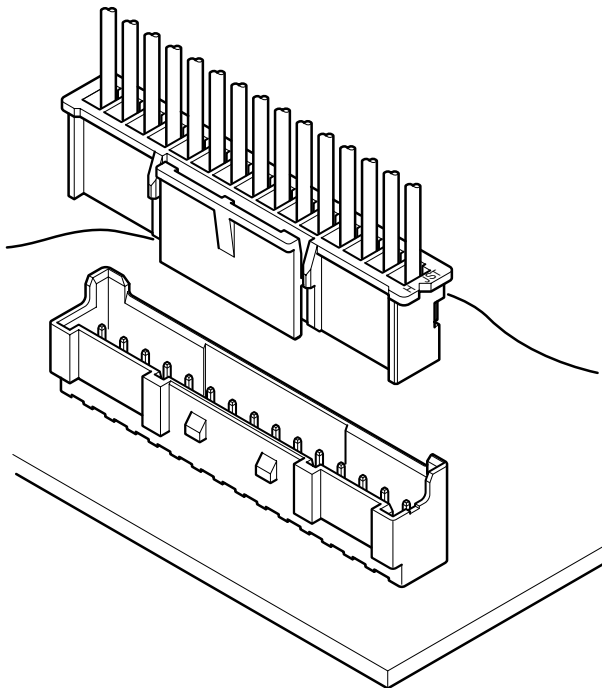


JST

Crimp

2.0mm
(.079") pitch

PA CONNECTOR

Disconnectable Crimp style connectors

Features

• **Locking device**

The housing has a locking device to securely hold the header, preventing accidental disconnection because of external forces that might result from the routing of wires during assembly process or of vibration.

• **Reliable contacts**

The box contact supplies stable contact performance even under conditions of vibration, distortion, low voltage or low current.

• **Low insertion force**

Header pins are reflow-treated, which provides low insertion force.

• **Insertion guide mechanism**

Header has housing insertion guides for easy and secure insertion.

• **Flanged press pin**

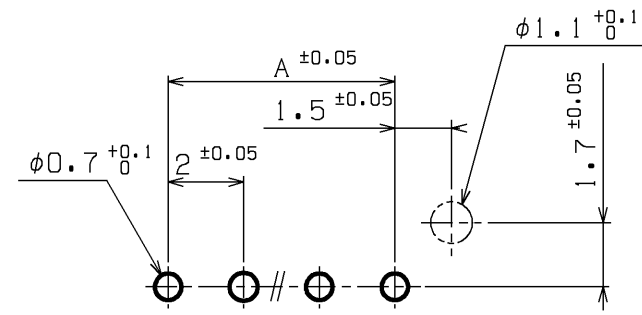
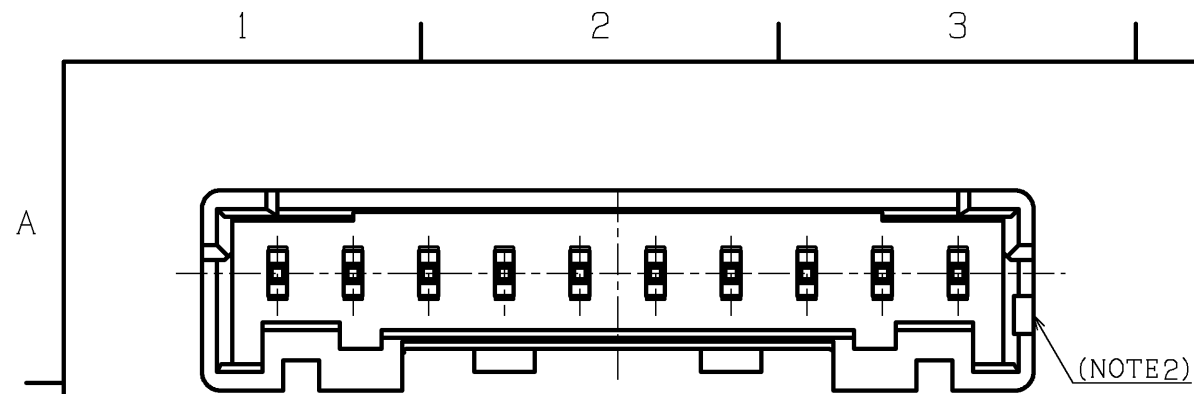
Top entry type header has flanged press pins, preventing accidental removal of the pins that might result from the distorted unmating especially in the case of small no. of circuits.

• **Polarizing boss**

Top entry type headers with polarizing bosses are also available.

Specifications

- Current rating: 3A AC, DC (AWG#22)
 - Voltage rating: 250V AC, DC
 - Temperature range: -25°C to +85°C
(including temperature rise in applying electrical current)
 - Relative humidity: 0 to 80%
 - Contact resistance: Initial value/10m Ω max.
After environmental testing/20m Ω max.
 - Insulation resistance: 1,000M Ω min.
 - Withstanding voltage: 800V AC/minute
 - Applicable wire: AWG #28 to #22
 - Applicable PC board thickness: 1.6mm(.063")
- * Contact JST for details.

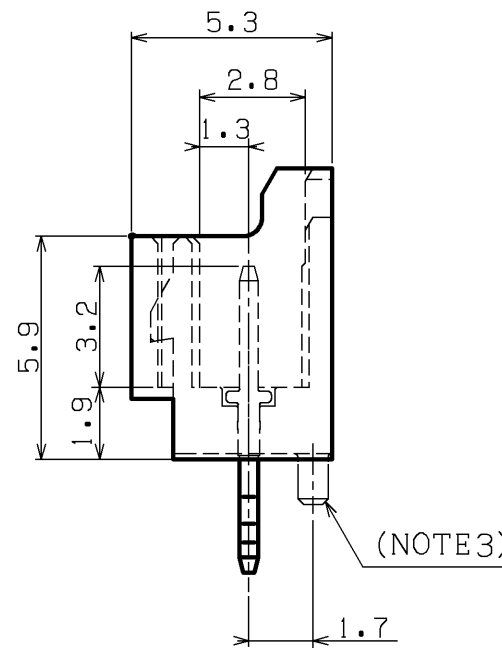
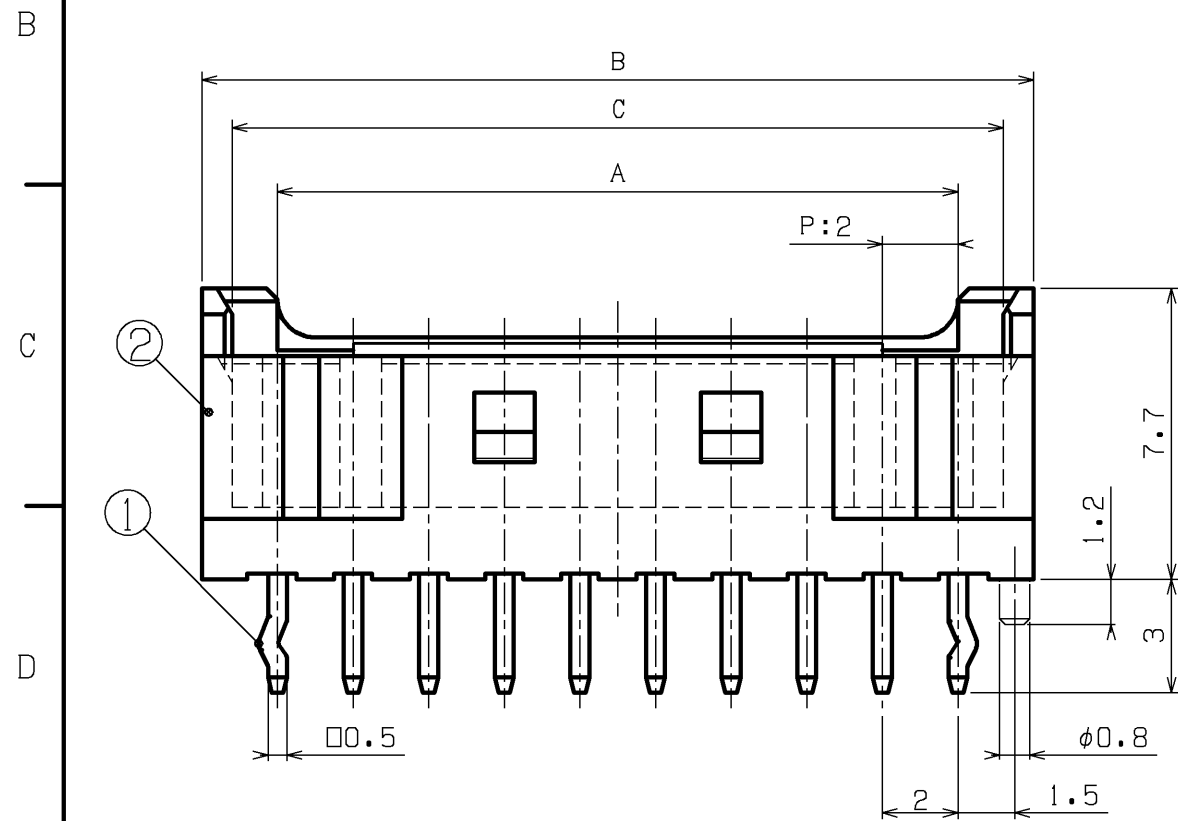


Recommendable P.C.Board hole layout
(Connector mounted side)

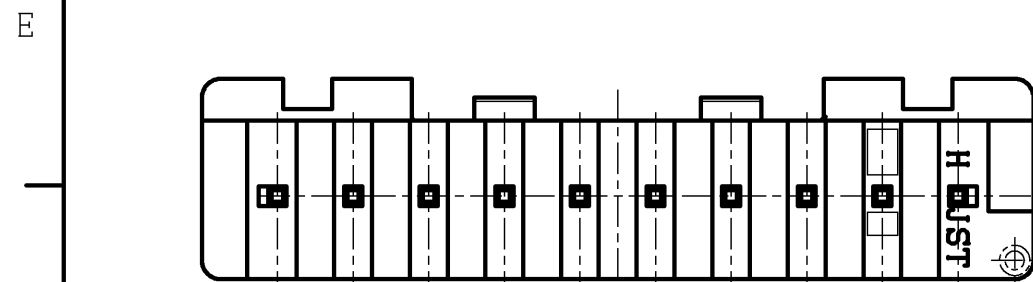
REV.	DESCRIPTION	DATE	DESIGNED
△			

NOTE

- Unless otherwise specified, tolerances are $0 < L \leq 5.0 : \pm 0.3$
 $5.0 < L : \pm 0.4$
- No.1 circuit
- Part No. without boss: B()B-PA()K (LF) (SN)
Part No. with boss : B()B-PA()K-1 (LF) (SN)



Color	Part No.
Natural (White)	B()B-PASK-() (LF) (SN)
Black	B()B-PAKK-() (LF) (SN)
Blue	B()B-PAEK-() (LF) (SN)
Green	B()B-PAMK-() (LF) (SN)
Orange	B()B-PAOK-() (LF) (SN)
Lemon yellow	B()B-PALK-() (LF) (SN)
Tomato red	B()B-PATRK-() (LF) (SN)
Red	B()B-PARK-() (LF) (SN)



Cir- cuits	Dimensions		
	A	B	C
10	18.0	22.0	20.4
11	20.0	24.0	22.4
12	22.0	26.0	24.4
13	24.0	28.0	26.4
14	26.0	30.0	28.4
15	28.0	32.0	30.4

2	WAFER	PBT (G.F.)	UL94V-0		
1	POST	COPPER ALLOY	COPPER-UNDERPLATED TIN-PLATED		
No.	PART NAME	MATERIAL	SURFACE FINISH	REMARKS	
SIZE	UNIT	SCALE	PROJECTION	DATE	CUSTOMER
A3	METRIC	5:1		DEC.21.2004	
APPROVED	CHECKED	DESIGNED	DRAWN	SERIES NAME	PA CONNECTOR (10~15 circuits)
S.K		E.N	N.H	PART No.	
JST J.S.T.MFG.CO., LTD.				DRAWING No.	
					RO