
4G/LTE Dipole Antenna

- **LTE/4G Dipole Antenna**
- **Multi Band**
- **On glass mount**
- **1,5-2,5 dBi Gain**

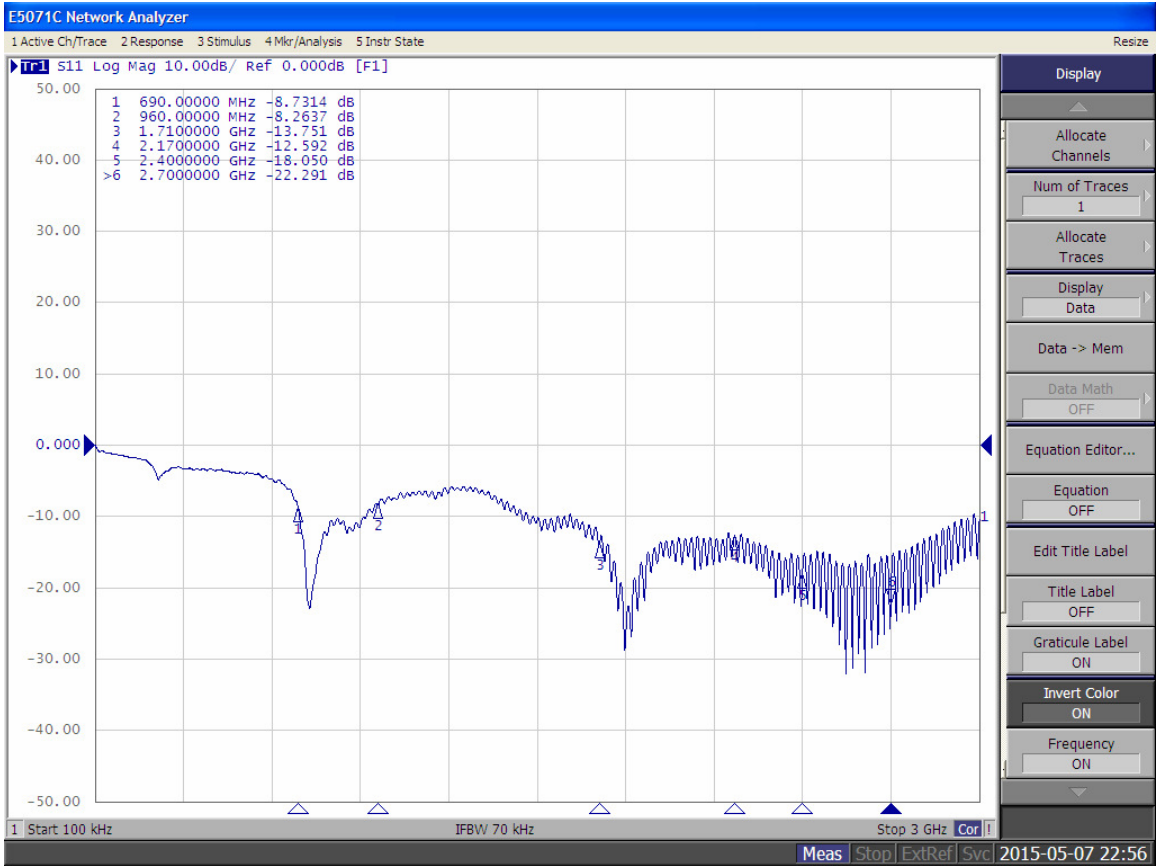
ADA-0062LTE is a small sized well performing on-glass Multi Band LTE/4G Dipole Antenna
It's equipped with SMA connector and 2.5 m RG174 cable as a standard.

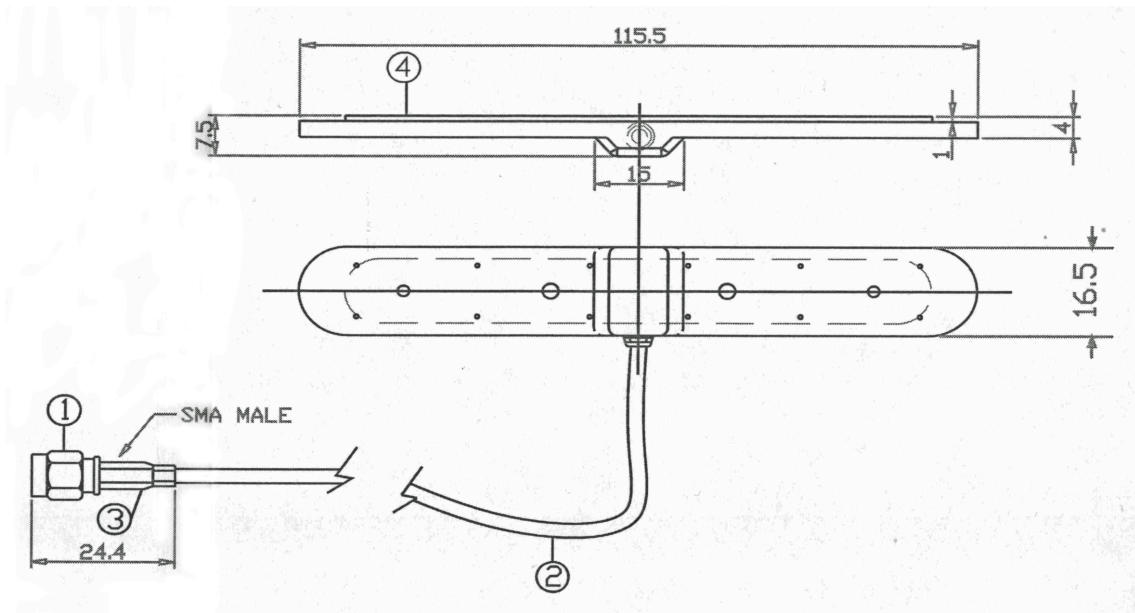
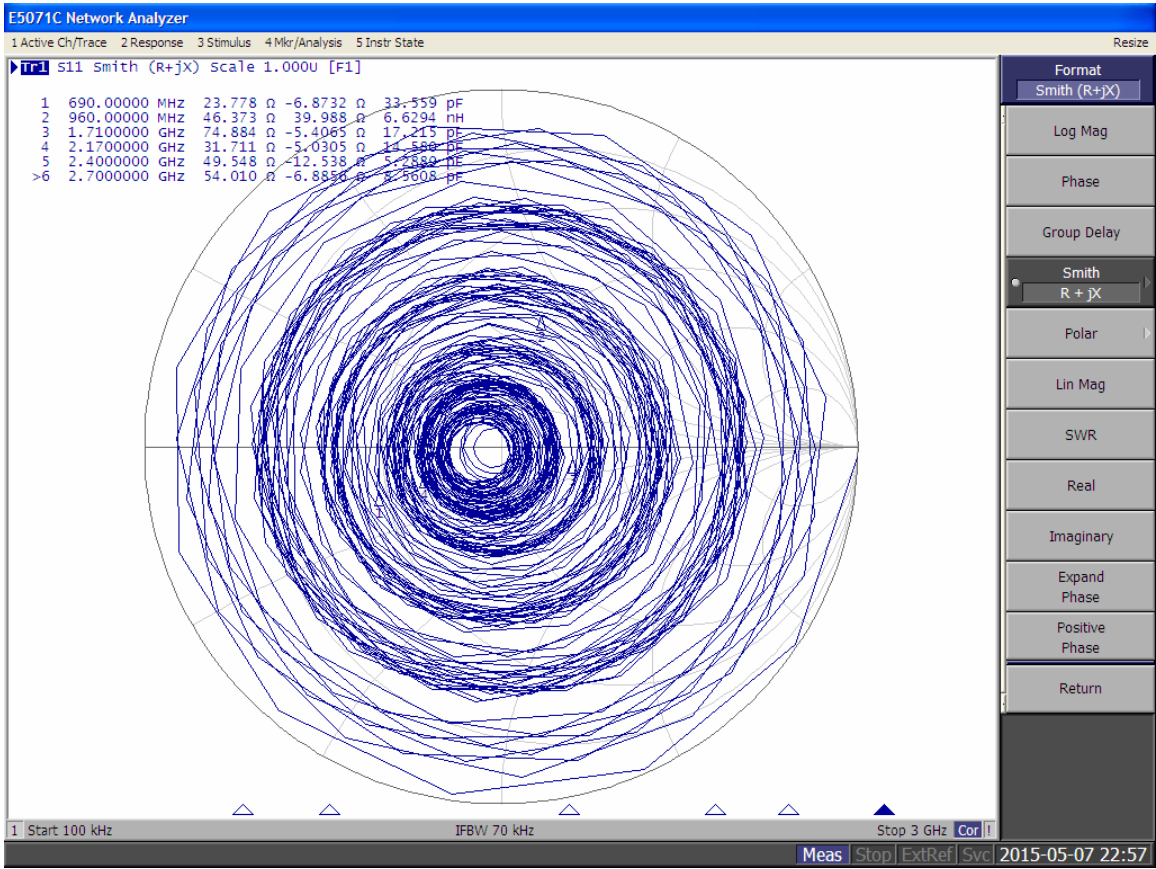


RoHS

Specification

Antenna	Specification
Frequency	800/900/1800/1900/2100/2700MHz
Polarization	Vertical
V.S.W.R	<2.0:1
Impedance	50Ω
Gain	1.5-2.5dBi
	Environmental Conditions
Operating Temperature	-30°C ~ + 70°C
Storage Temperature	-40°C ~ + 80°C
Power	2-5W
	Mechanical Specification
Antenna Material	ABS, Black
Cable	RG174, 2.5m
Connector	SMA (M)
Size	115.5 x 16.5 x 7.5 mm
Weight	125g Max.
Mounting	Adhesive Tape





Ordering codes

Type	Description	Comment
ADA-0062LTE	On Glass Antenna	LTE/4G ½ Wave Antenna

For the latest updates, visit our Web site: www.adactus.se

Disclaimer

Information furnished is believed to be accurate and reliable. However, Adactus assumes no responsibility for the consequences of use of such information nor for any infringement of patents or other rights of third parties which may result from its use. Adactus reserves the right to make changes without further notice to any product herein to improve reliability, function or design. Adactus does not assume any liability arising out of the application or use of any product described herein.

This publication supersedes and replaces all information previously supplied. Adactus products are not authorised as critical components in life support devices or systems.