

This document is the property of Amphenol Corporation and is delivered on the express condition that it is not to be disclosed, reproduced or used, in whole or in part, for manufacture or sale by anyone other than Amphenol Corporation without its prior consent, & that no right is granted to disclose or to use any information in this document.

REFERENCE DRAWING

| REVISIONS | | | | |
|-----------|----------|----------------------|----------|----------|
| SYM | ECN | DESCRIPTION | DATE | APPROVED |
| A2 | 1602**** | CHANGE THE STRUCTURE | 02/23/16 | Tom |

| Pin | Signal Name | Mating Sequence | Pin | Signal Name | Mating Sequence |
|-------|------------------|-----------------|-------|-------------------|-----------------|
| A1 | GND | First | B12 | GND | First |
| A2 | TX1+ | Second | B11 | RX1+ | Second |
| A3 | TX1- | Second | B10 | RX1- | Second |
| A4 | V _{BUS} | First | B9 | V _{BUS} | First |
| A5 | CC1 | Second | B8 | SBU2 | Second |
| A6 | D+ | Second | B7 | | |
| A7 | D- | Second | B6 | | |
| A8 | SBU1 | Second | B5 | V _{conn} | Second |
| A9 | V _{BUS} | First | B4 | V _{BUS} | First |
| A10 | RX2- | Second | B3 | TX2- | Second |
| A11 | RX2+ | Second | B2 | TX2+ | Second |
| A12 | GND | First | B1 | GND | First |
| SHELL | | GND | SHELL | | GND |

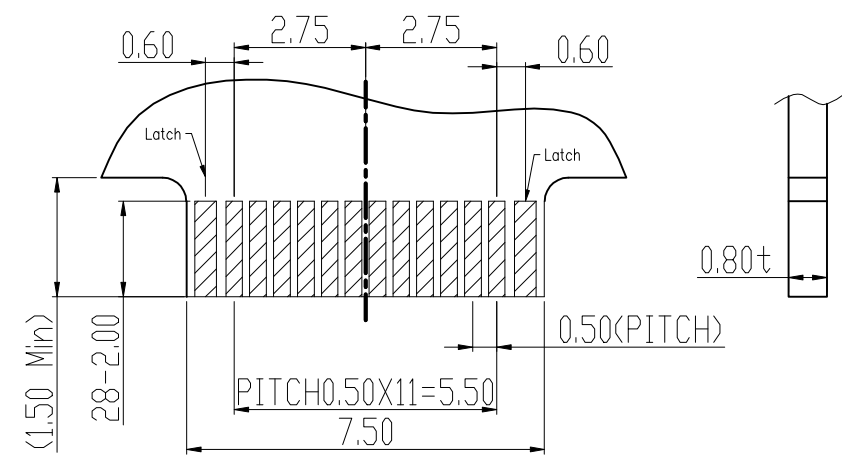
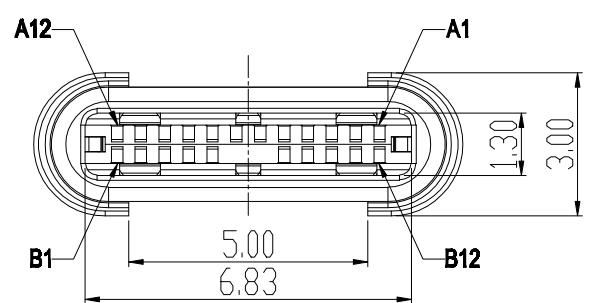
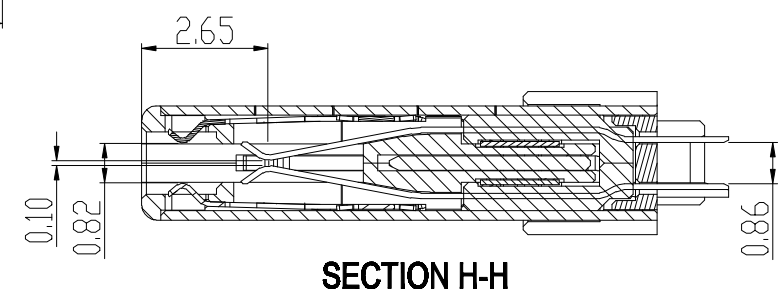
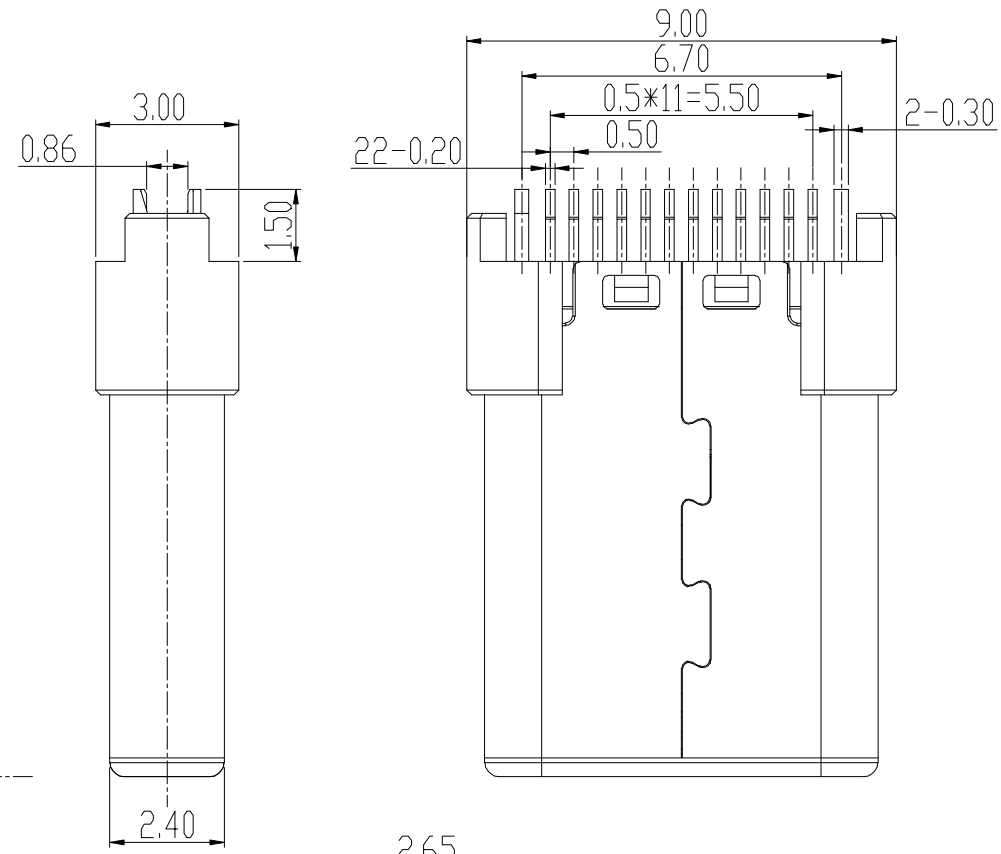
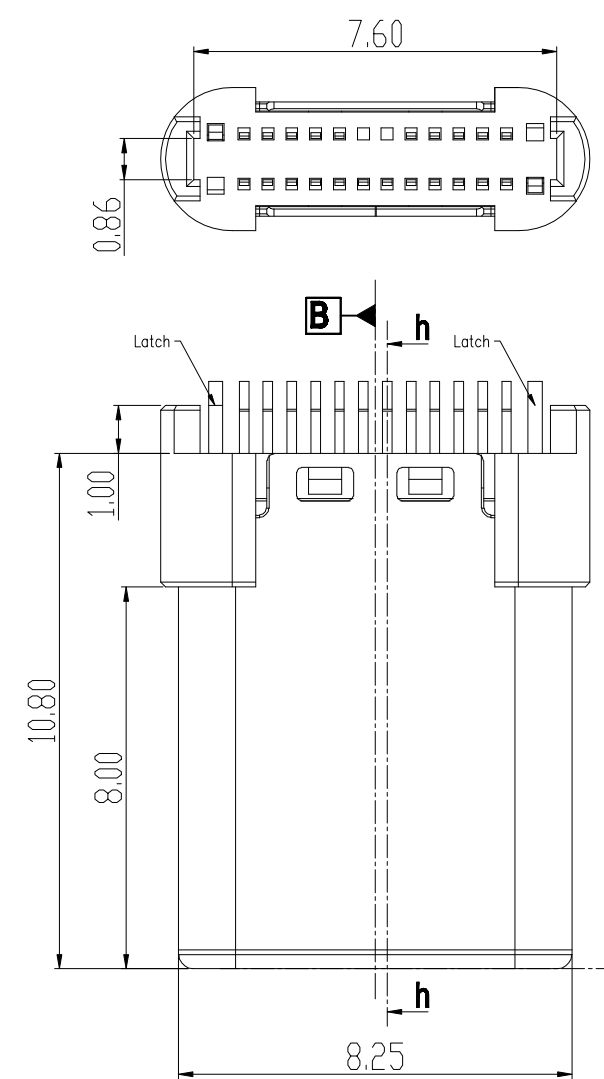


Notes:

- Material :
 - Contacts : copper alloy
 - Shell : stainless steel
 - Housing : High-temperature polymer UL94V-0, black.
- Plating :
 - Contacts : contact area 30u" Au, solder tail 100u" Matte Tin. all area 50u" Nickel plating.
 - Shell : Nickel Plating
- Coplanarity : 0.08Max.
- P/N : 12401562E4#2A.
- Packaging type: carrier tape.
- Material should be fulfilled Amphenol spec# SSN002 AND Customer Requirements, for halogen free products, also need to meet SSN004

D
C
B
A

D
C
B
A



RECOMMENDED PCB LAYOUT
(TOLERANCE : +/-0.05)

| | | | | | | |
|--|-------------------|---------------------|----------|-------|---|--------------|
| UNLESS OTHERWISE SPECIFIED TOLERANCES U.S. METRIC .X +/- / ±0.30 .XX +/- / ±0.25 .XXX +/- / ±0.20 FRACTIONS +/- / ANGLES +/- / | APPROVAL | | DATE | | Amphenol TITLE USB TYPE C PLUG STRADDLE MOUNT | |
| | DRAWN Michael.Qin | | 02/23/16 | | | |
| | CHECKED Welson.Lu | | 02/23/16 | | | |
| | CHECKED | | | | | |
| FOR MATERIALS AND FINISHES SEE NOTES | | DRAWING FILE : | | SIZE | DRAWING NO. | REV. |
| REMOVE SHARP EDGES | | ANGLE OF PROJECTION | | A3 | 12401562E4#2A | A2 |
| DIMENSIONS | | | | SCALE | NONE | SHEET 1 OF 1 |
| U.S. | INCHES- | | | | | |
| (METRIC) | (MM) | | | | | |