

Specification for Speaker	Page	2/9
	Revision No.	1.2
Model No. : KP2215ST1-EM802-6072	Drawing No.	KFC6072

CONTENTS

1. Scope
2. General
3. Electrical and Acoustic Characteristics.
4. Reliability Test
5. Measurement Block Diagram & Response curve
6. Structure
7. Dimensions
8. Packing
9. Revision

Specification for Speaker

Page

3/9

Model No. : KP2215ST1-EM802-6072

Revision No.

1.2

Drawing No.

KFC6072

1. Scope

This specification is applied to the dynamic speaker which is used all of the electrical acoustic product.

-- compact, rich sound

-- applications: mobile phone, PDA, notebook computer, etc. ..

2. General

2.1 Out-Diameter : 22x15mm

2.2 Height : 3.6mm

2.3 Weight : 4g

2.4 Operating Temperature range:

-30~+70°C without loss of function

2.5 Store Temperature range:

-40~+85°C without loss of function

3. Electrical and Acoustic Characteristics.

Test condition : 15 ~ 35 °C, 25% ~ 85% RH, 860~1060 mbar

No	Items	Specification
1	Impedance	$8 \pm 15\% \Omega$ (1Vrms at 2KHz)
2	D.C.R	$7.6 \pm 10\% \Omega$
3	Sound Pressure Level	90 dB \pm 3dB 0.1w/0.1m at average 0.8, 1.0, 1.2, 1.5KHz
4	Resonance Frequency	700 Hz \pm 20%
5	Frequency Range	Fo ~20KHz
6	Input Power	Rated 0.8 W / Max 1 W for a minute
7	Distortion	5% Max. at 2kHz/1Vrms
8	Buzz and Rattle	Should not be audible buzzers,rattles when the 2.53V sine wave signal swept at frequency range.
9	Polarity	When supplied plus D.C. voltage to (+) terminal, the cone diaphragm must move to forward.

Specification for Speaker

Page

4/9

Revision No.

1.2

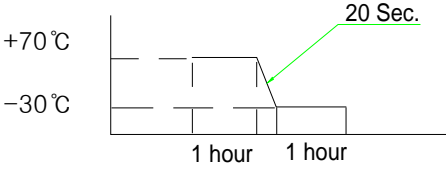
Model No. : KP2215ST1-EM802-6072

Drawing No.

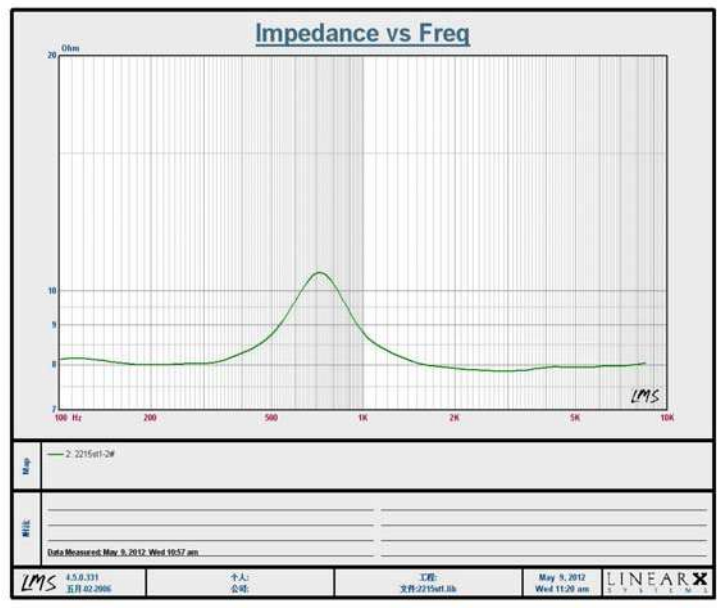
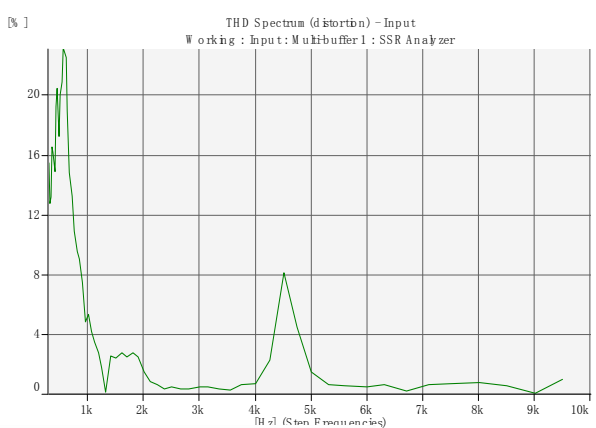
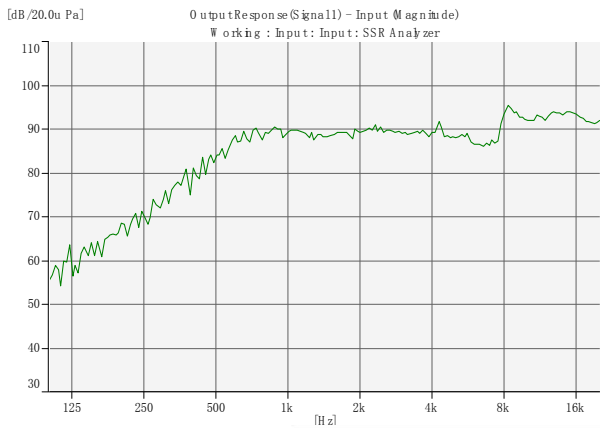
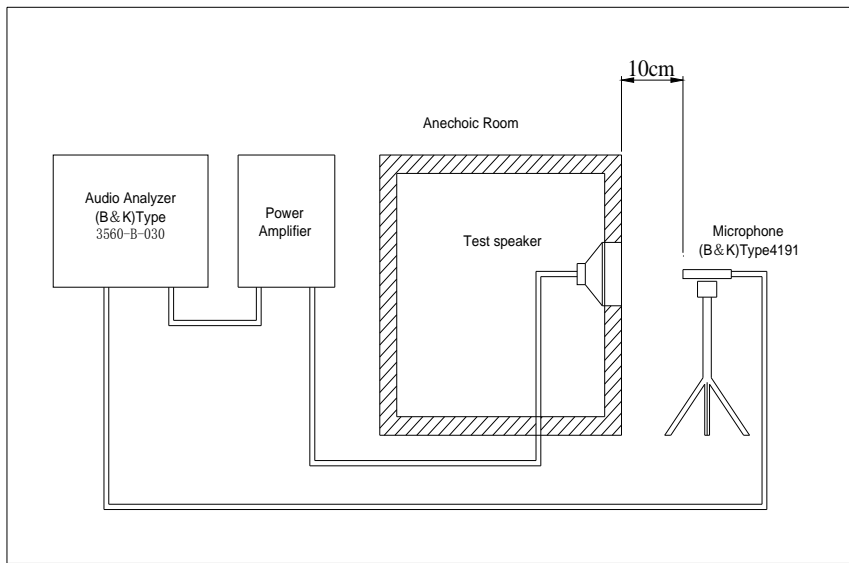
KFC6072

4. Reliability Test

After test(1~7item), the speaker S.P.L . difference shall be within $\pm 3\text{dB}$, and the appearance not exist any change to be harmful to normal operation (e.g. cracks,rusts,damages and especially distortion).

No	Items	Specification
1	High Temperature Test	After being placed in a chamber with $+85\pm 3\text{ }^{\circ}\text{C}$ for 96 hours and then being placed in natural condition for 1 hour, speaker shall be measured.
2	Low Temperature Test	After being placed in a chamber with $-40\pm 3\text{ }^{\circ}\text{C}$ for 96 hours and then being placed in natural condition for 1 hour, speaker shall be measured.
3	Humidity Test	After being placed in a chamber with 85 to 90%R.H. at $+40\pm 2\text{ }^{\circ}\text{C}$ for 96 hours and then being placed in natural condition for 1 hour, speaker shall be measured.
4	Thermal Shock Test	<p>After being placed in a chamber at $+70^{\circ}\text{C}$ for 1 hour, then speaker shall be placed in a chamber at -30°C for 1 hour(1 cycle is the below diagram). After 4 above cycles, speaker shall be measured after being placed in natural condition for 10 Sec..</p> 
5	Vibration Test	After being applied vibration of amplitude of 1.5mm with 10 to 55Hz band of vibration frequency to each of 3 perpendicular directions for 1 hour, then placed in natural condition for 1 hour, speaker shall be measured.
6	Drop Test	The speaker when mounted in the jig which weight 85g~100g, shall with stand 15 times random drops from a height of 1.5 meter to a concrete floor faced with 5mm thick hard wood board.and be nothing mechanical damage.
7	Load test	After being applied loading white noise with input power 0.8W(2.53Vrms.) for 96 hours, then placed in natural condition for 1 hour, speaker shall be measured.
8	Insulation test	When they are measured with DC 100V the insulation resistance between v.c. terminal and frame must be more than 1 MΩ

5. Measurement Block Diagram & Response curve



Specification for Speaker

Page

6/9

Revision No.

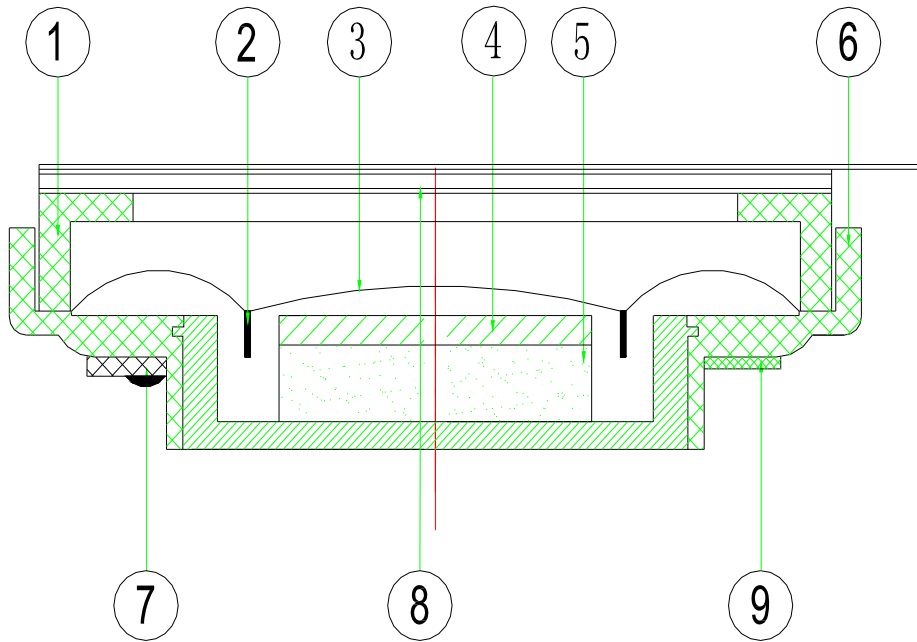
1.2

Model No. : KP2215ST1-EM802-6072

Drawing No.

KFC6072

6. Structure



No.	Part Name	Q'ty	Material	Remarks
9	Sreen	2	Unwoven-fabric	
8	Gasket	1	PE	
7	Terminal	1	Epoxy PCB	
6	Frame	1	SPCC+PBT	
5	Magnet	1	Nd-Fe-B	
4	Plate	1	SPC	
3	Diaphragm	1	PEN	
2	Voice Coil	1	Copper	
1	Cap	1	ABS	

Specification for Speaker

Page

7/9

Revision No.

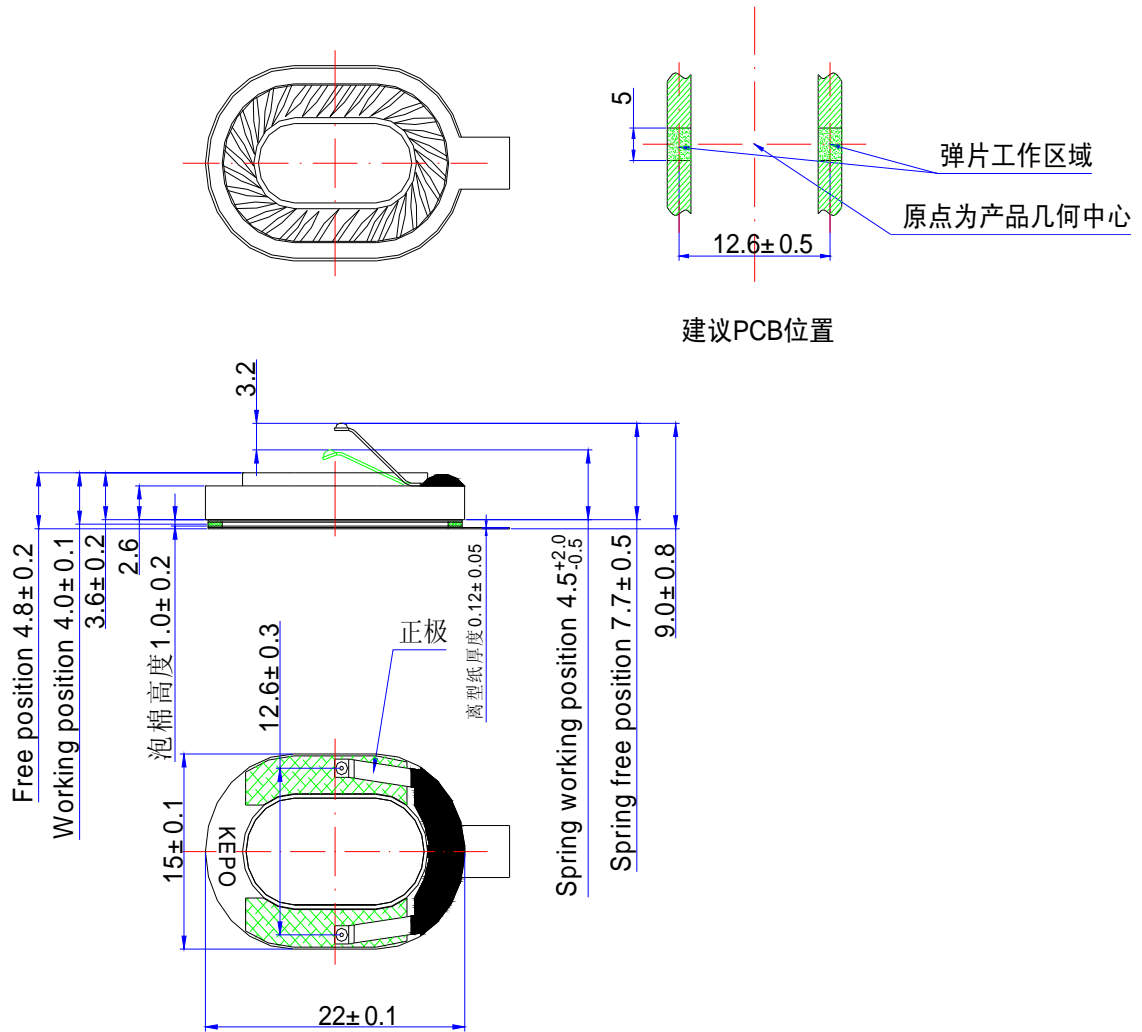
1.2

Model No. : KP2215ST1-EM802-6072

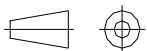
Drawing No.

KFC6072

7. Dimensions



FIRST ANGLE PROJECTION



UNIT : mm

Tolerance : ± 0.2

Specification for Speaker

Page

8/9

Model No. : KP2215ST1-EM802-6072

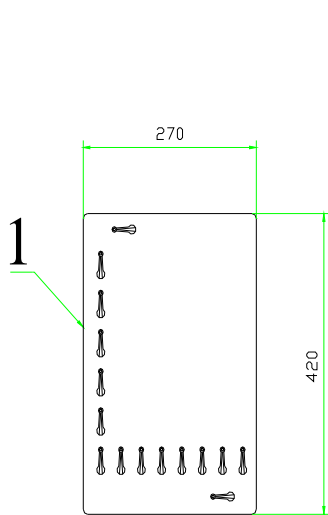
Revision No.

1.2

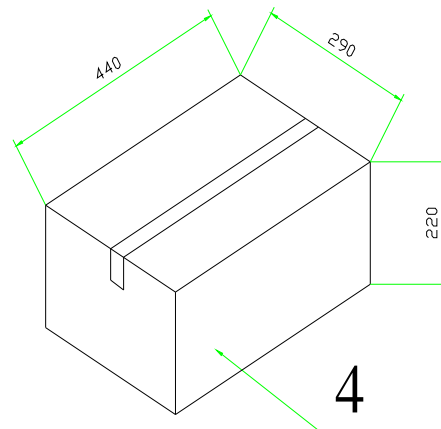
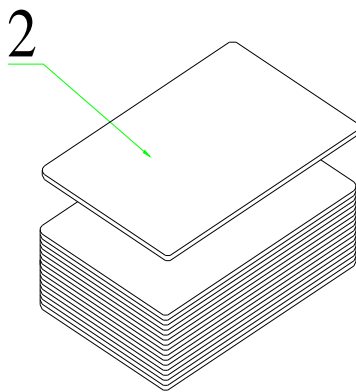
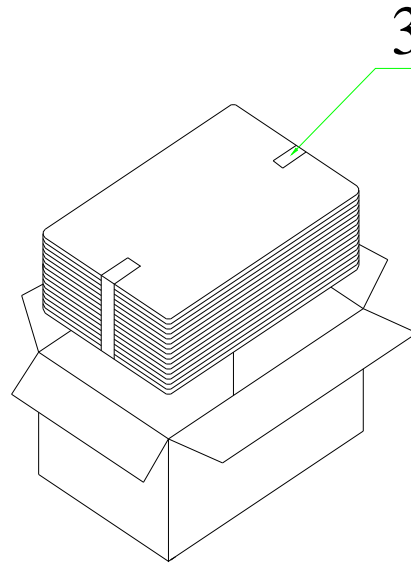
Drawing No.

KFC6072

8. Packing



120Pcs



QTY:1680Pcs

440 x290 x220

