

TCP 2A - Thermal device circuit breaker



0712217

<https://www.phoenixcontact.com/us/products/0712217>

Please be informed that the data shown in this PDF document is generated from our online catalog. Please find the complete data in the user documentation. Our general terms of use for downloads are valid.



Thermal miniature circuit breaker, pluggable in screw-type fuse terminal block UK 6-FSI/C and spring-cage fuse terminal block ST 4-FSI/C

Your advantages

- Fast, replacement part-free recommissioning after an event with the reconnection options
- Easy to retrofit in existing systems with vehicle flat-type fuses with identical pin connector pattern
- System disconnection for maintenance actions via the integrated device switch

Commercial data

| | |
|--------------------------------------|---------------------|
| Item number | 0712217 |
| Packing unit | 1 pc |
| Sales key | CL15 |
| Product key | CLA111 |
| Catalog page | Page 401 (C-4-2019) |
| GTIN | 4017918848361 |
| Weight per piece (including packing) | 11.5 g |
| Weight per piece (excluding packing) | 10.5 g |
| Customs tariff number | 85362010 |
| Country of origin | ID |

TCP 2A - Thermal device circuit breaker



0712217

<https://www.phoenixcontact.com/us/products/0712217>

Technical data

Notes

| | |
|---------|---|
| General | When mounted in rows, the nominal device current can be limited to just 80% or must be oversized accordingly. |
|---------|---|

Product properties

| | |
|---------------------|---------------------------------|
| Product type | Thermal device circuit breakers |
| Type | Male |
| Number of positions | 1 |
| No. of channels | 1 |

Insulation characteristics

| | |
|----------------------|----|
| Overvoltage category | II |
| Degree of pollution | 2 |

Electrical properties

| | |
|---|------------------|
| Fuse type | Automatic device |
| Maximum power dissipation for nominal condition | ≤ 1 VA |
| Fuse | Slow-blow |

General

| | |
|---|--|
| Rated voltage | 250 V AC |
| | 65 V DC |
| | 250 V AC (AC according to UL 1077) |
| | 72 V DC (DC according to UL 1077) |
| Rated current I_N | 2 A |
| Rated surge voltage | 2.5 kV |
| Insulation resistance R_{iso} | > 100 M Ω (500 V DC) |
| Tripping method | T (thermal) |
| Device resistance | 0.25 Ω |
| Rated short-circuit switching capacity I_{cn} | 12 A (250 V AC / 65 V DC) |
| | 20 A (30 V DC) |
| Short-circuit switching capacity | 2000 A (250 V AC / UL 1077) |
| | 2000 A (72 V DC / UL 1077) |
| Dielectric strength | 3000 V AC (Actuation area) |
| | 1500 V AC (Installation area) |
| Switching cycles, max. | 6000 (At $1 \times I_n$, low-induction) |
| | 3000 (At $1 \times I_n$, inductive) |
| | 500 (At $2 \times I_n$, inductive) |

Connection data

| | |
|-----------------|----------|
| Nominal current | 2 A |
| Nominal voltage | 250 V AC |
| | 65 V DC |

TCP 2A - Thermal device circuit breaker

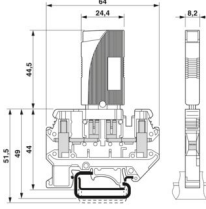


0712217

<https://www.phoenixcontact.com/us/products/0712217>

| | |
|-------------------|-----------|
| Connection method | pluggable |
|-------------------|-----------|

Dimensions

| | |
|---------------------|--|
| Dimensional drawing |  |
| Width | 8.2 mm |
| Height | 24.4 mm |
| Height NS 35/7,5 | 55 mm |
| Depth | 44.5 mm |

Material specifications

| | |
|--|------------------|
| Color | black (RAL 9005) |
| Flammability rating according to UL 94 | V0 |
| Insulating material group | IIIb |
| Insulating material | PPS |

Mechanical properties

| | |
|-----------------|----|
| Mechanical data | |
| Open side panel | No |

Environmental and real-life conditions

| | |
|---------------------------------|-----------------------|
| Ambient conditions | |
| Degree of protection | IP40 (Actuation area) |
| Ambient temperature (operation) | -20 °C ... 60 °C |
| Altitude | 4000 m |
| Humidity test | 240 h, 95 % RH, 40 °C |

Standards and regulations

| | |
|--------------------------|----------|
| Standards/specifications | EN 60934 |
|--------------------------|----------|

Mounting

| | |
|---------------|-----------------|
| Mounting type | on base element |
|---------------|-----------------|

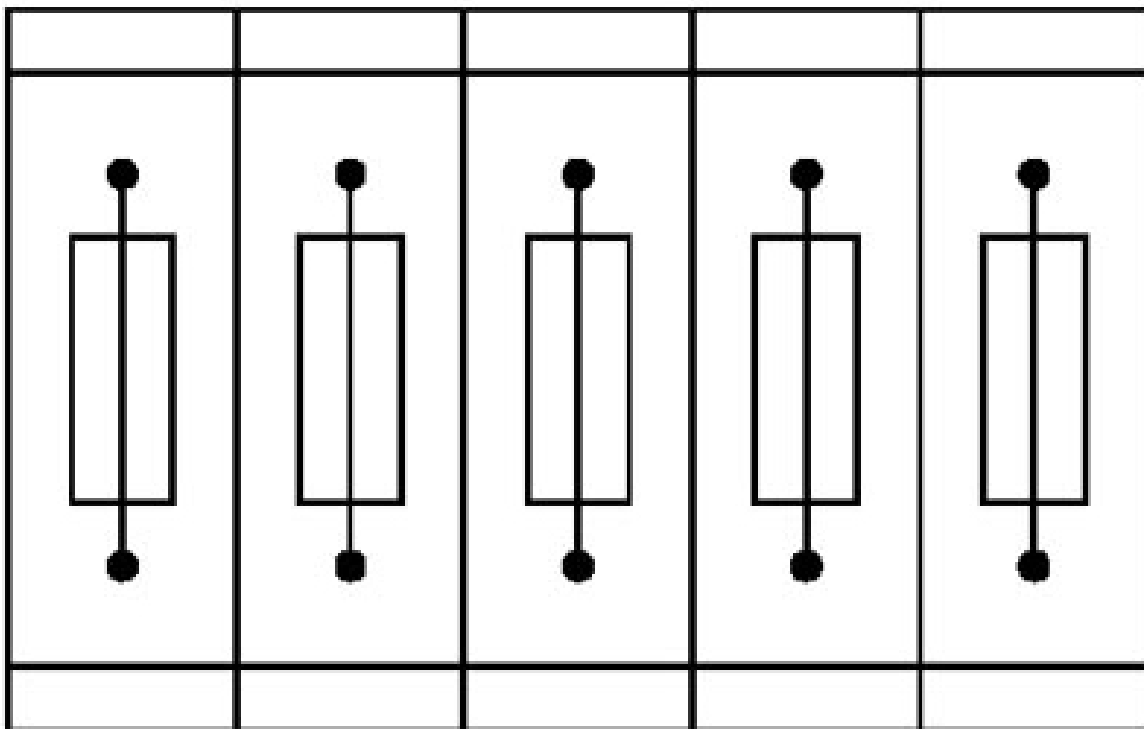
TCP 2A - Thermal device circuit breaker

0712217

<https://www.phoenixcontact.com/us/products/0712217>

Drawings

Application drawing



Fuse terminal blocks in interconnected arrangement,
block consisting of 5 fuse terminal blocks

TCP 2A - Thermal device circuit breaker

0712217

<https://www.phoenixcontact.com/us/products/0712217>

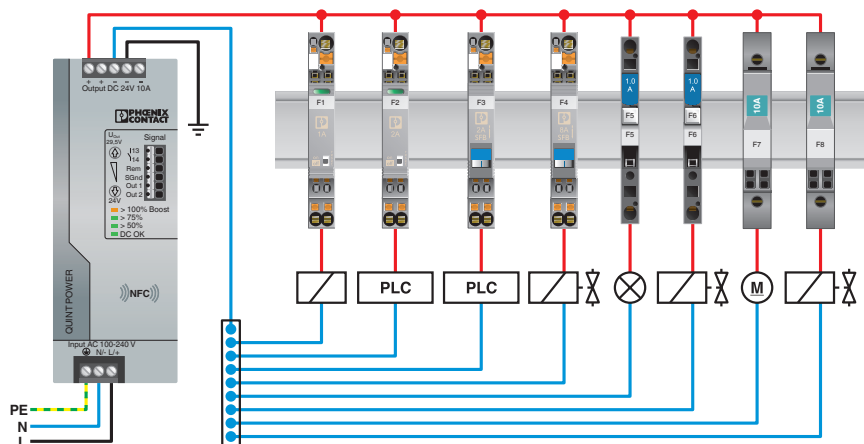


Product drawing



The figure shows the product with the base element PT 6-FSI/C-LED 24 (Item No.: 3212172).

Application drawing

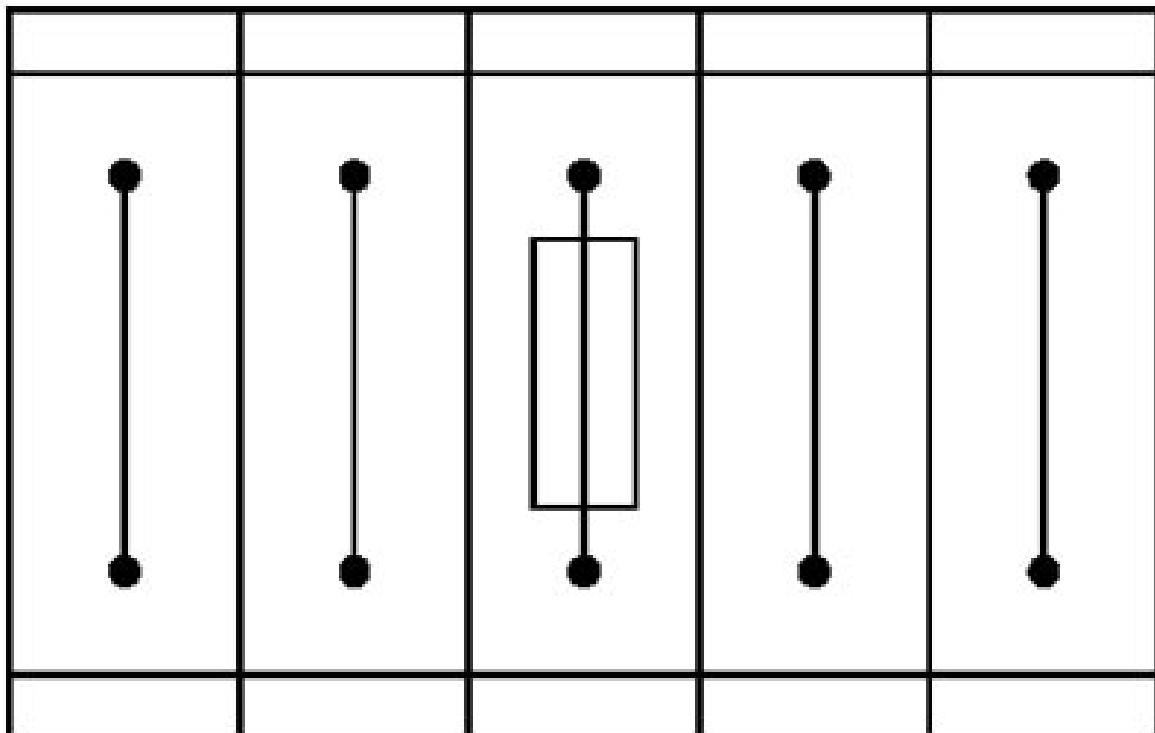


TCP 2A - Thermal device circuit breaker

0712217

<https://www.phoenixcontact.com/us/products/0712217>

Application drawing



Fuse terminal block in single arrangement,
block consisting of one fuse terminal block and 4 feed-through terminal blocks

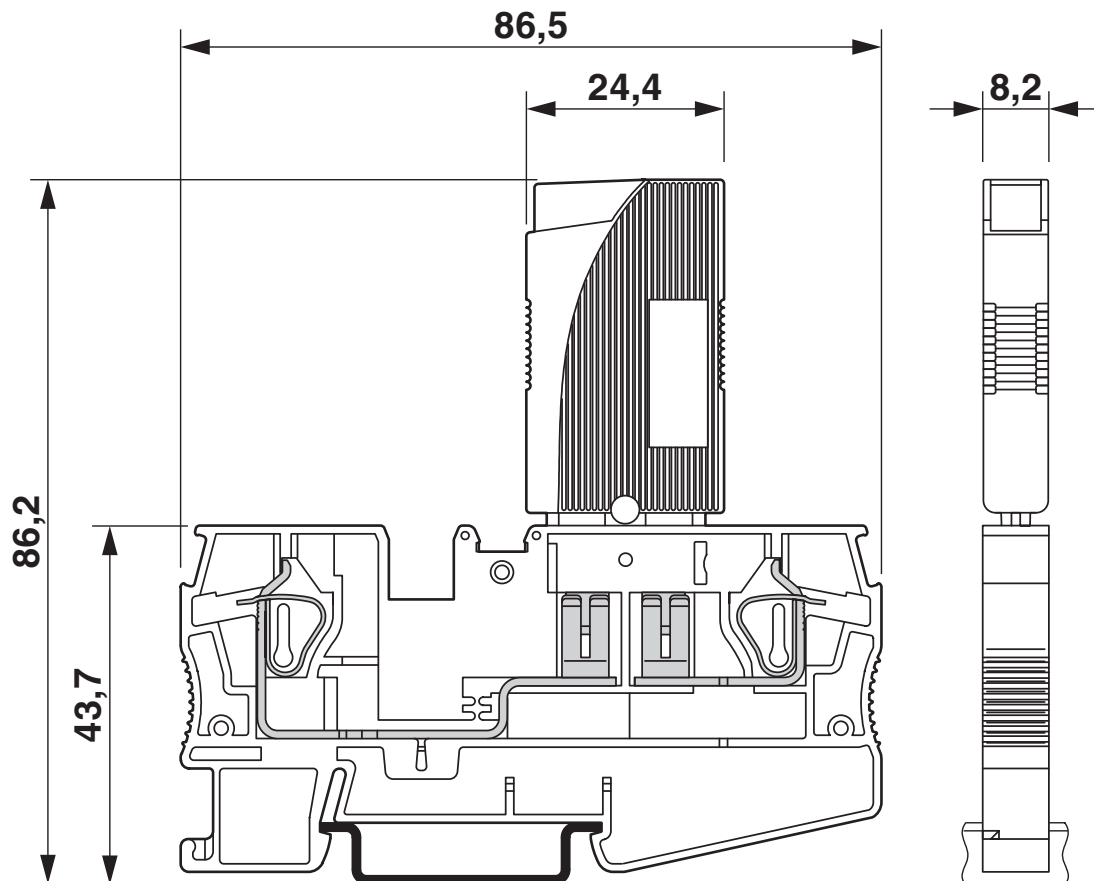
TCP 2A - Thermal device circuit breaker

0712217

<https://www.phoenixcontact.com/us/products/0712217>



Dimensional drawing

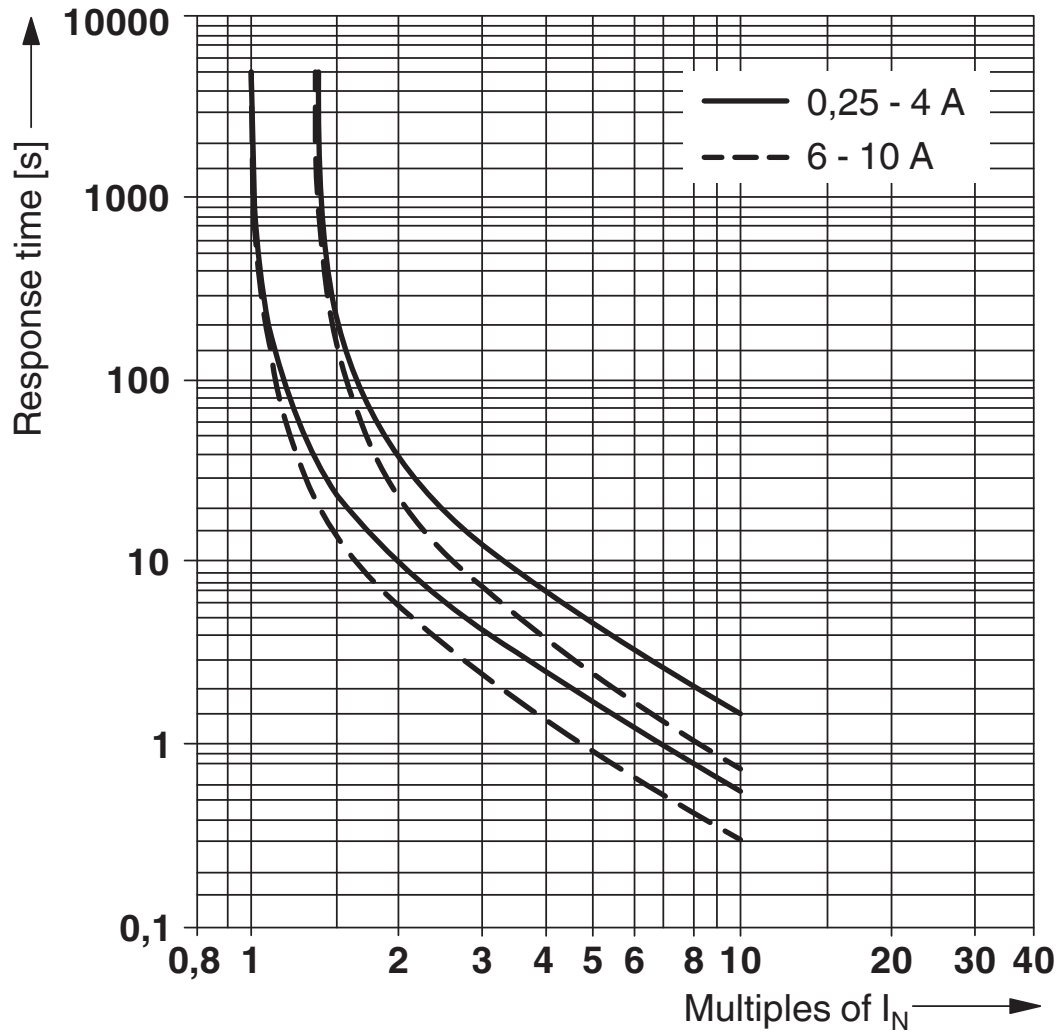


TCP 2A - Thermal device circuit breaker

0712217

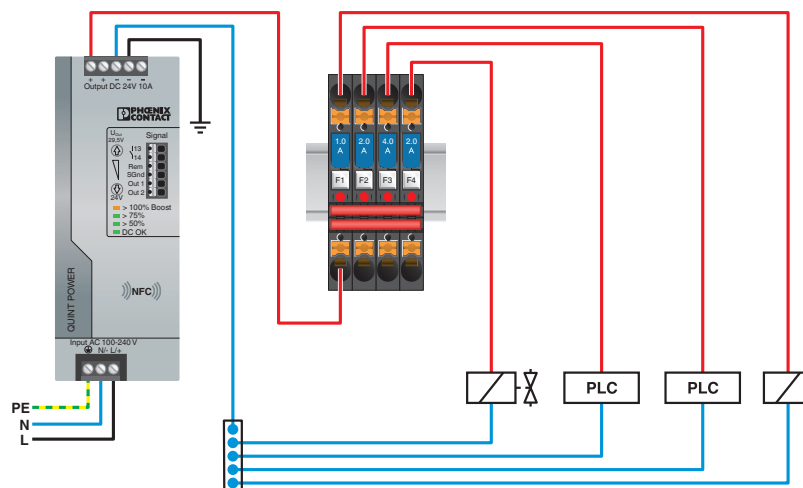
<https://www.phoenixcontact.com/us/products/0712217>

Diagram



Trigger characteristic

Application drawing



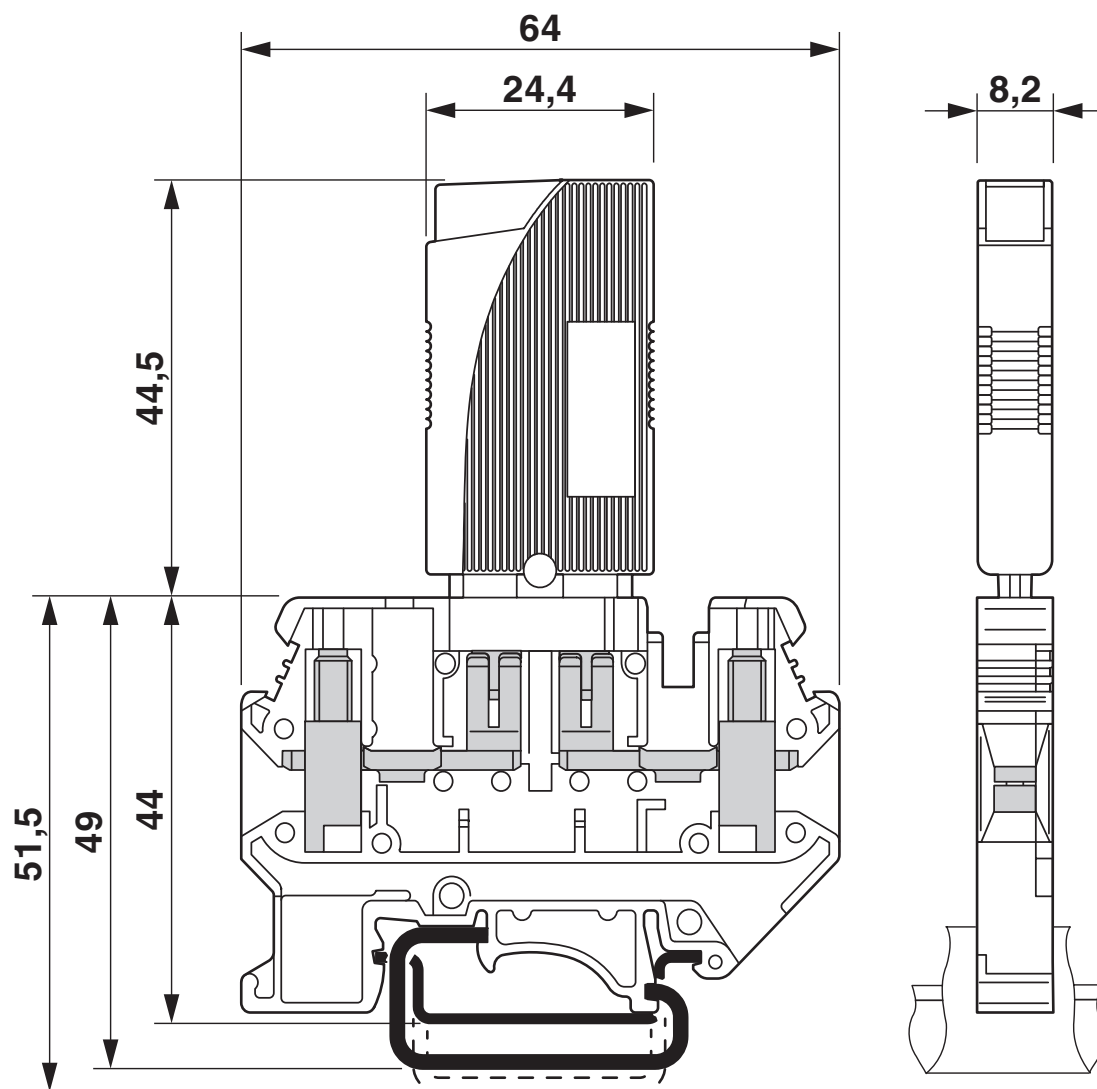
TCP 2A - Thermal device circuit breaker

0712217

<https://www.phoenixcontact.com/us/products/0712217>



Dimensional drawing



TCP 2A - Thermal device circuit breaker





0712217

<https://www.phoenixcontact.com/us/products/0712217>


Approvals


To download certificates, visit the product detail page: <https://www.phoenixcontact.com/us/products/0712217>

| | | | | |
|---|-----------------------|-----------------------|-------------------|-----------------------------|
|  CSA Approval ID: 074317 | | | | |
| | Nominal voltage U_N | Nominal current I_N | Cross section AWG | Cross section mm^2 |
| | 250 V | 2 A | - | - |


| |
|---|
|  cUL Recognized Approval ID: FILE E 140459 |
|---|

| |
|--|
|  UL Recognized Approval ID: FILE E 140459 |
|--|

| |
|--|
|  EAC Approval ID: EAC-Zulassung |
|--|

| |
|--|
|  EAC Approval ID: RU C-DE.A*30.B01546 |
|--|

| |
|--|
|  VDE Zeichengenehmigung Approval ID: 40034332 |
|--|

| |
|---|
|  CCC Approval ID: 2019010307241945 |
|---|

| |
|---|
| UAE-RoHS Approval ID: 23-10-88896 |
|---|

| |
|-------------------------|
| cULus Recognized |
|-------------------------|

TCP 2A - Thermal device circuit breaker



0712217

<https://www.phoenixcontact.com/us/products/0712217>

Classifications

ECLASS

| | |
|-------------|----------|
| ECLASS-11.0 | 27141116 |
| ECLASS-12.0 | 27141116 |
| ECLASS-13.0 | 27140401 |

ETIM

| | |
|----------|----------|
| ETIM 9.0 | EC000899 |
|----------|----------|

UNSPSC

| | |
|-------------|----------|
| UNSPSC 21.0 | 39121400 |
|-------------|----------|

TCP 2A - Thermal device circuit breaker



0712217

<https://www.phoenixcontact.com/us/products/0712217>

Environmental product compliance

EU RoHS

| | |
|---|--------------------|
| Fulfills EU RoHS substance requirements | Yes, No exemptions |
|---|--------------------|

China RoHS

| | |
|--|--|
| Environment friendly use period (EFUP) | EFUP-E |
| | No hazardous substances above the limits |

EU REACH SVHC

| | |
|-------------------------------------|----------------------------|
| REACH candidate substance (CAS No.) | No substance above 0.1 wt% |
|-------------------------------------|----------------------------|

TCP 2A - Thermal device circuit breaker



0712217

<https://www.phoenixcontact.com/us/products/0712217>

Accessories

ZBFM 5/WH:UNBEDRUCKT - Flat zack marker sheet

0803595

<https://www.phoenixcontact.com/us/products/0803595>

Flat zack marker sheet, Sheet, white, unlabeled, can be labeled with: CMS-P1-PLOTTER, PLOTMARK, mounting type: snapped, for terminal block width: 5.2 mm, lettering field size: 5 x 4.5 mm, Number of individual labels: 120



ZBFM 5 CUS - Flat zack marker sheet

0825037

<https://www.phoenixcontact.com/us/products/0825037>

Flat zack marker sheet, can be ordered: by sheet, white, labeled according to customer specifications, mounting type: snap into flat marker groove, for terminal block width: 5.2 mm, lettering field size: 5 x 4.5 mm, Number of individual labels: 120



TCP 2A - Thermal device circuit breaker



0712217

<https://www.phoenixcontact.com/us/products/0712217>

UC-TMF 5 OG - Marker for terminal blocks

0818522

<https://www.phoenixcontact.com/us/products/0818522>



Marker for terminal blocks, Sheet, orange, unlabeled, can be labeled with: BLUEMARK ID COLOR, BLUEMARK ID, BLUEMARK CLED, PLOTMARK, CMS-P1-PLOTTER, mounting type: snapped, for terminal block width: 5.2 mm, lettering field size: 4.6 x 5.1 mm, Number of individual labels: 96

ST 4-FSI/C - Fuse modular terminal block

3036372

<https://www.phoenixcontact.com/us/products/3036372>



Fuse modular terminal block, fuse type: Flat, fuse type: C, nom. voltage: 400 V, nominal current: 30 A, connection method: Spring-cage connection, 1 level, Rated cross section: 4 mm², cross section: 0.08 mm²- 6 mm², mounting type: NS 35/7,5, NS 35/15, color: black

TCP 2A - Thermal device circuit breaker

0712217

<https://www.phoenixcontact.com/us/products/0712217>

ST 4-FSI/C-LED 12 - Fuse modular terminal block

3036495

<https://www.phoenixcontact.com/us/products/3036495>



Fuse terminal block with LED for mounting on NS 35, for miniature circuit breakers, terminal width: 8.2 mm, color: Black

ST 4-FSI/C-LED 24 - Fuse modular terminal block

3036505

<https://www.phoenixcontact.com/us/products/3036505>



Fuse terminal block with LED for mounting on NS 35, for miniature circuit breakers, terminal width: 8.2 mm, color: Black

TCP 2A - Thermal device circuit breaker

0712217

<https://www.phoenixcontact.com/us/products/0712217>

UK 6-FSI/C - Fuse modular terminal block

3118203

<https://www.phoenixcontact.com/us/products/3118203>



Fuse modular terminal block, fuse type: Flat, fuse type: C, nom. voltage: 250 V, nominal current: 30 A, number of positions: 1, connection method: Screw connection, 1 level, Rated cross section: 4 mm², cross section: 0.2 mm²- 10 mm², mounting type: NS 35/7,5, NS 35/15, NS 32, color: black

UK 6-FSI/C-LED12 - Fuse modular terminal block

3001925

<https://www.phoenixcontact.com/us/products/3001925>



Flat-type fuse terminal block, cross section: 0.2 - 6 mm², AWG: 26 - 8, width: 8.2 mm, color: black, with light indicator, voltage light indicator: 12 V DC, current light indicator: 2 mA

TCP 2A - Thermal device circuit breaker

0712217

<https://www.phoenixcontact.com/us/products/0712217>

UK 6-FSI/C-LED24 - Fuse modular terminal block

3001938

<https://www.phoenixcontact.com/us/products/3001938>



Flat-type fuse terminal block, cross section: 0.2 - 6 mm², AWG: 26 - 8, width: 8.2 mm, color: black, with light indicator, voltage light indicator: 24 V DC, current light indicator: 2 mA

PT 6-FSI/C - Fuse modular terminal block

3212166

<https://www.phoenixcontact.com/us/products/3212166>



Fuse modular terminal block, fuse type: Flat, fuse type: Type C / max. 2.2 W, nom. voltage: 400 V, nominal current: 25 A, connection method: Push-in connection, Rated cross section: 6 mm², cross section: 0.5 mm²- 10 mm², mounting type: NS 35/7,5, NS 35/15, color: black

TCP 2A - Thermal device circuit breaker

0712217

<https://www.phoenixcontact.com/us/products/0712217>

PT 6-FSI/C-LED 12 - Fuse modular terminal block

3212169

<https://www.phoenixcontact.com/us/products/3212169>



Fuse modular terminal block, fuse type: Flat, fuse type: Type C / max. 2.2 W, nom. voltage: 12 V, nominal current: 25 A, connection method: Push-in connection, Rated cross section: 6 mm², cross section: 0.5 mm²- 10 mm², mounting type: NS 35/7,5, NS 35/15, color: black

PT 6-FSI/C-LED 24 - Fuse modular terminal block

3212172

<https://www.phoenixcontact.com/us/products/3212172>



Fuse modular terminal block, fuse type: Flat, fuse type: Type C / max. 2.2 W, nom. voltage: 24 V, nominal current: 25 A, connection method: Push-in connection, Rated cross section: 6 mm², cross section: 0.5 mm²- 10 mm², mounting type: NS 35/7,5, NS 35/15, color: black

TCP 2A - Thermal device circuit breaker



0712217

<https://www.phoenixcontact.com/us/products/0712217>

PT 6-FSI/C-LED 48 - Fuse modular terminal block

3212175

<https://www.phoenixcontact.com/us/products/3212175>



Fuse modular terminal block, fuse type: Flat, fuse type: Type C / max. 2.2 W, nom. voltage: 48 V, nominal current: 25 A, connection method: Push-in connection, Rated cross section: 6 mm², cross section: 0.5 mm²- 10 mm², mounting type: NS 35/7,5, NS 35/15, color: black

Phoenix Contact 2024 © - all rights reserved

<https://www.phoenixcontact.com>

Phoenix Contact USA
586 Fulling Mill Road
Middletown, PA 17057, United States
(+717) 944-1300
info@phoenixcon.com