

NEW



HDMI Standard Digital Interface Connector

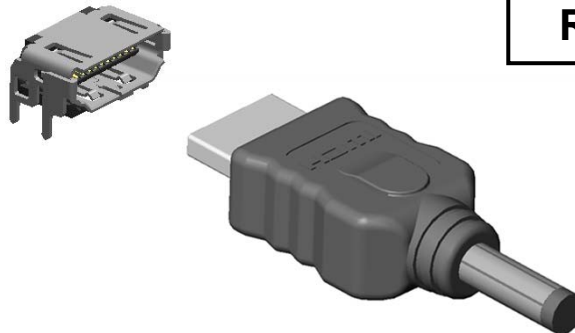
CONNECTOR

MB-0121-3

February 2013

DC1 Series

RoHS Compliant



The market for digital consumer devices such as LCD TVs, BD players has been rapidly growing along with the progress of digital high-definition television broadcasting.

The DC1 Series is a connector created specifically for use with the HDMI standard, a digital interface standard for digital consumer devices.

*HDMI, the HDMI Logo and High-Definition Multimedia Interface are trademarks or registered trademarks of HDMI Licensing LLC.

Features

- 1.0mm pitch, compact connector.
- Impedance-matching design for high-speed transmission.
- Grounding structure for excellent EMI control.
- Friction lock for easy insertion and removal of connector.

Applicable Markets

LCD television, LCD projector, Set-top box, BD player, etc.

General Specifications

- | | |
|------------------------------------------------------|---------------------------------------------|
| ■ No. of Contacts: 19 pos. | ■ Rated Voltage: 0.5A max. |
| ■ Dielectric Withstanding Voltage :
AC 500V rms | ■ Insulation Resistance: 100M Ω min. |
| ■ Operating Temperature:
-20 Deg. C to +85 Deg. C | ■ Impedance: 100 Ω \pm 15% |

Materials and Finishes

Receptacle

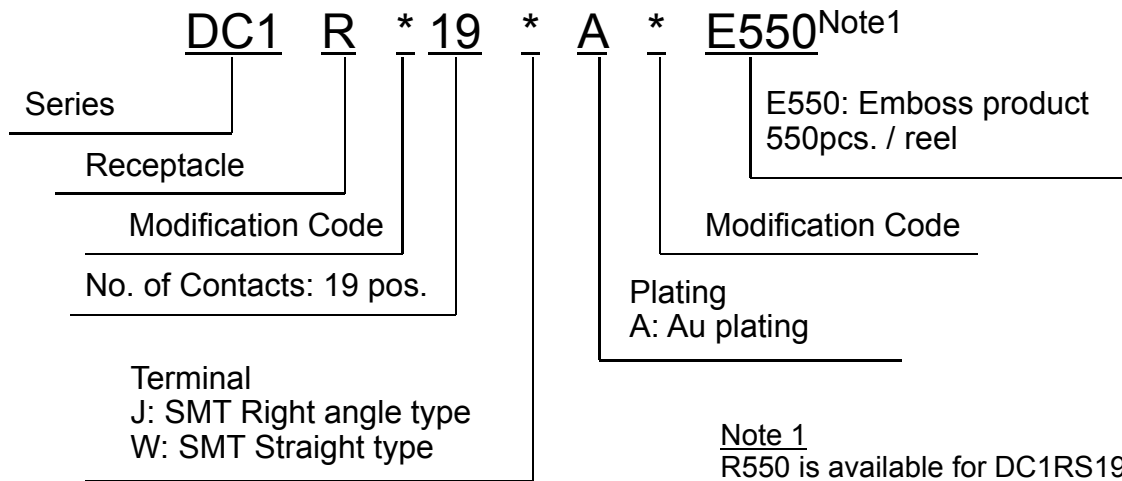
Component	Material / Finish
Insulator	Heat resistant plastic
Contact	Copper alloy / Au plating over Ni
Shell	Copper alloy / Sn plating

Plug (for Cable Harness)

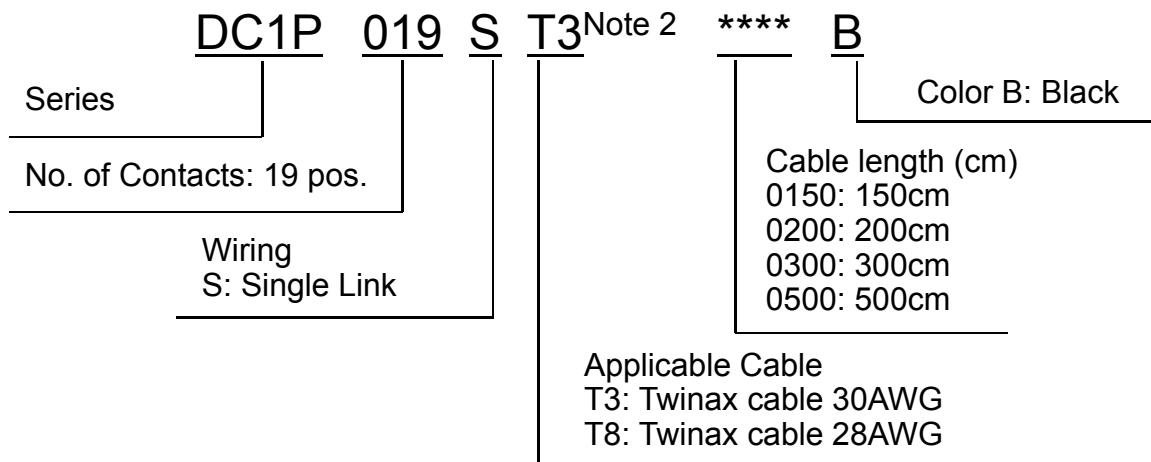
Component	Material / Finish
Insulator	Heat resistant plastic
Contact	Copper alloy / Au plating over Ni
Shell	Copper alloy / Sn plating
Hood	PVC / Color: Black (UL94V-0)

Ordering Information

•Receptacle



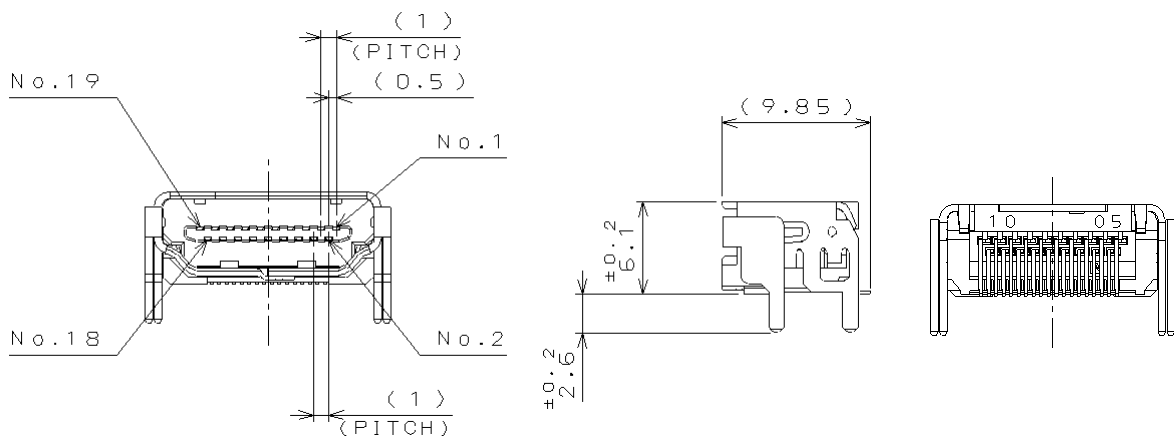
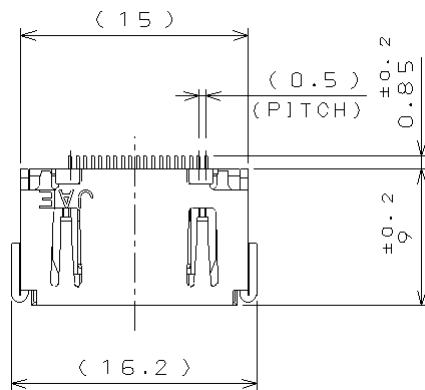
•HDMI-HDMI Cable Harness



Dimensions and Shape

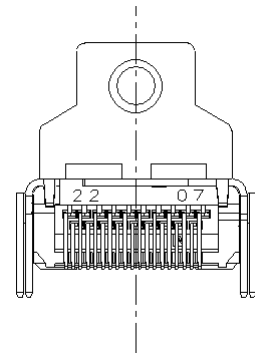
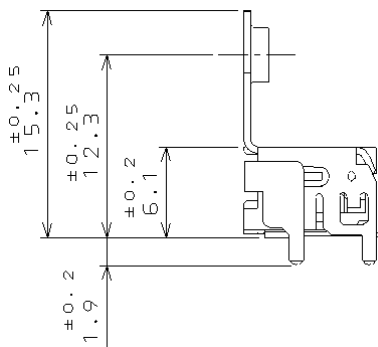
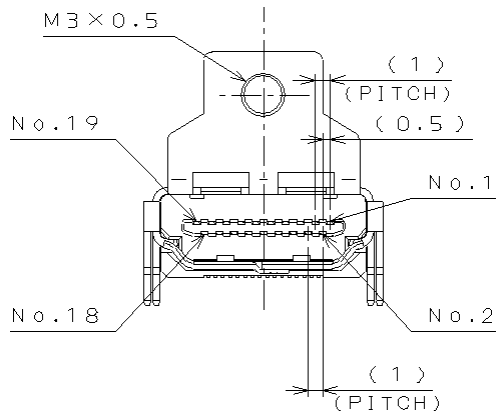
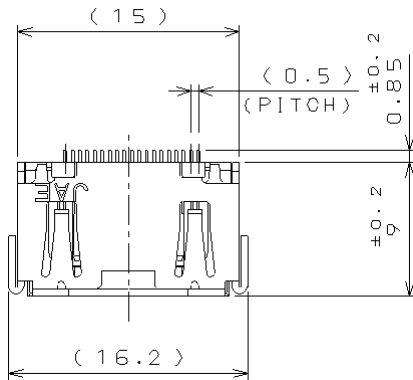
Right Angle Receptacle

- DC1RS19JA7
(SMT, without flange)



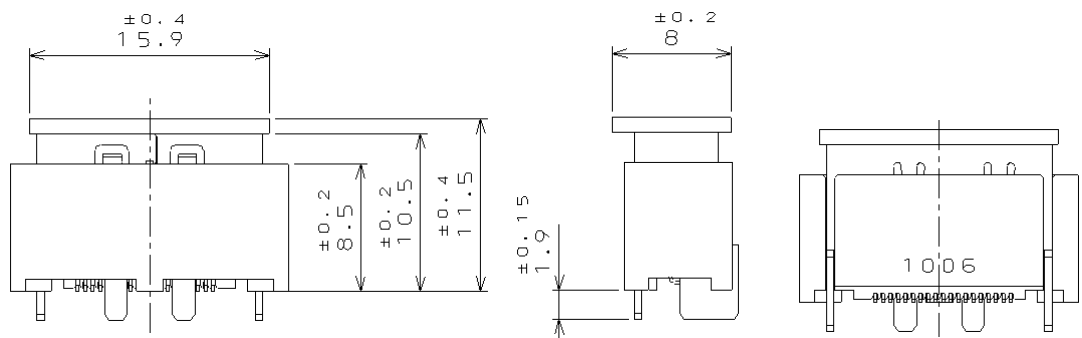
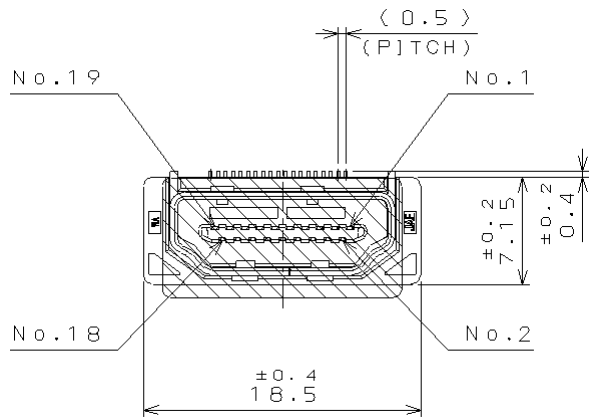
Right Angle Receptacle

- DC1RS19JAX
(SMT, with right angle flange)



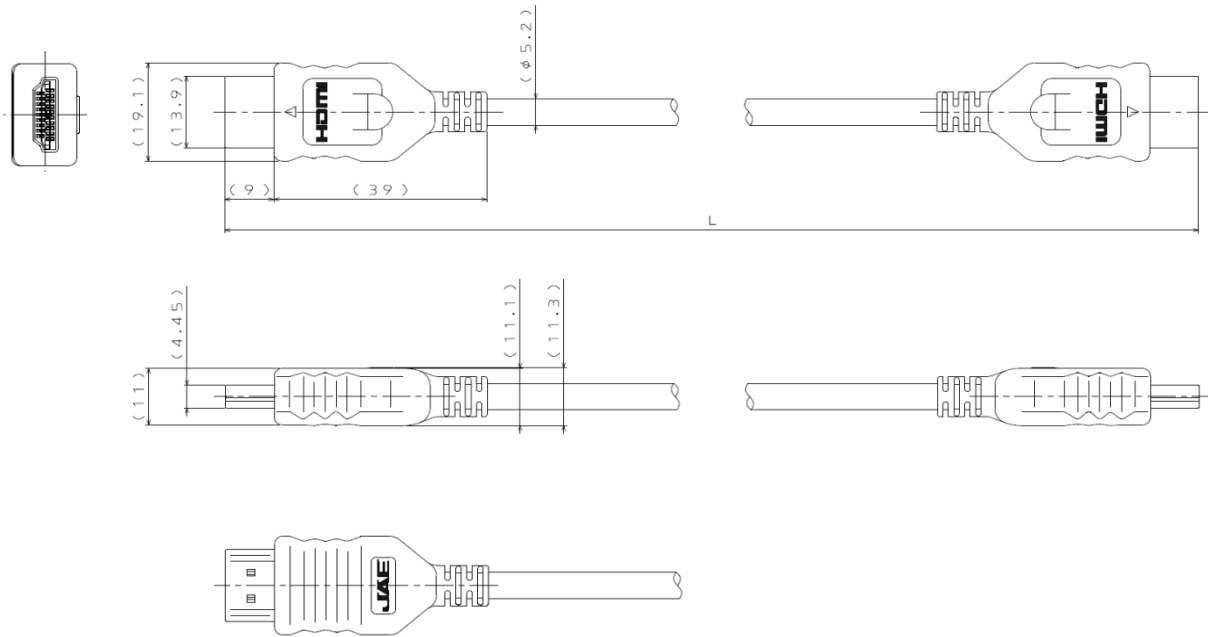
Straight Receptacle

•DC1RS19WA7



HDMI-HDMI Cable Harness

•DC1P019ST3****B



Drawing Number

■ Receptacle

Connection	Mounting	Flange	Part Number	SJ Drawing	Specification
Right Angle	SMT	No	DC1RS19JA7	SJ112283	JACS-3289
		Yes	DC1RS19JAX	SJ112619	
Straight	SMT	Yes	DC1RS19WA7	SJ112330	

■ Cable Harness

Cable Harness	Harness	Part Number	SJ Drawing	Specification
	HDMI-HDMI	DC1P019ST3****B	SJ038524	JACS-3289
		DC1P019ST8****B	SJ100180	

•DC1 Series Connector, Cable Handling Instruction-----J AHL-3289

Japan Aviation Electronics Industry, Limited

Product Marketing Division
Aobadai Building, 3-1-19, Aobadai, Meguro-ku, Tokyo 153-8539
Phone: +81-3-3780-2882 FAX: +81-3-3780-2946

Notice: Products shown in this brochure are made for the applications listed below. However, if the above-mentioned products are to be used in aerospace devices, marine cable-connection devices, atomic power control systems, medical equipment for life-support systems, or any other specific application requiring extremely high reliability, please contact JAE for further information.
Recommended applications: Computers, Office machines, Measuring devices, Telecommunication devices (Terminals, Mobile devices), AV devices, Household applications, FA devices, etc.

* The specifications in this brochure are subject to change without notice. Please contact JAE for information.

Mouser Electronics

Authorized Distributor

Click to View Pricing, Inventory, Delivery & Lifecycle Information:

[JAE Electronics:](#)

[DC1RS19JAX](#)