

SWITCHCRAFT CONXALL

Harsh Environment Connectivity Solutions



Pendant Nurse Call Cord Switches

Momentary cord (pendant) switches can be specified with red or black pushbuttons, 1-C switching, solder terminals and metal handle (Series E900), plastic handle (Series EP900), or metal handle with clamp and strain relief (Series ED900).

SPECIFICATIONS 921 and 921K - Molded gray plastic with contrasting trim and black pushbutton.

Switch Contacts: Integral copper alloy, plated, form 1-A, 0.5 A, 50 W maximum, AC, non-inductive load. Not recommended for high voltage circuits.

Insulation: Thermoplastic UL 94V-0.

Phono Jack Terminations: (921): Standard phono jack, similar to 3501FP (see Jacks and Plugs Section).

PART NUMBERS

Part Number	Description
921	Cordette switch, phono jack termination.
921K	Same as 921, except with 6 foot (1.8 meter), 2-conductor cable with stripped and tinned leads.

SPECIFICATIONS SERIES E900, EP900:

Housing: Series E900 - Copper alloy, plated. Series EP900 - Molded black plastic.

Switch Bushing: Copper alloy, plated.

Insulation: Rigid plastic.

SERIES ED900:

Housing: Die-cast zinc, plated.

Switch Body and Insert Bushing: Copper alloy, plated.

Insulation: Rigid plastic.

Cable Relief Bushing: Black thermoplastic rubber.

Pressure Plates: Stainless steel.

Cable Relief Screws: Steel, plated.

PART NUMBERS (examples)

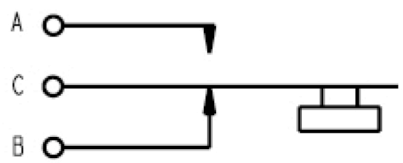
Pushbutton Color/Part Number		Maximum Cable Outside Diameter	Circuit
Red	Black		
E903	E913	.375" [9.5 mm]	1-C
ED903	ED913	.375" [9.5 mm]	
EP903	EP913	.250" [6.4 mm]	

PART NUMBER	BUTTON COLOR
ED903	RED
ED913	BLACK

NOTES:

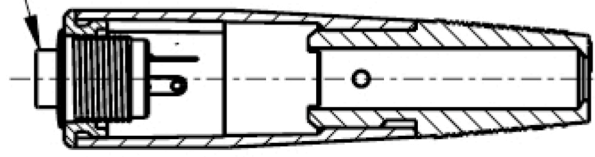
- MATERIALS:
 PUSHBUTTON - THERMOPLASTIC, SEE TABLE FOR COLOR
 SWITCH HOUSING & ADAPTER - BRASS, NICKEL PLATED
 SWITCH TERMINALS - BRASS, SILVER PLATED
 SWITCH SPRING - STAINLESS STEEL
 SWITCH INSULATORS - PHENOLIC
 HANDLE - ZINC ALLOY, NICKEL PLATED
 FLEX RELIEF - THERMOPLASTIC RUBBER, BLACK
 CLAMP PLATES - STAINLESS STEEL
 FLEX RELIEF SCREWS - STEEL, NICKEL PLATED

2. THESE PRODUCTS ARE RoHS COMPLIANT.

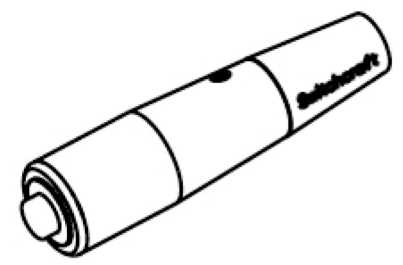


SCHEMATIC

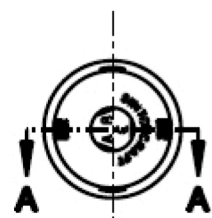
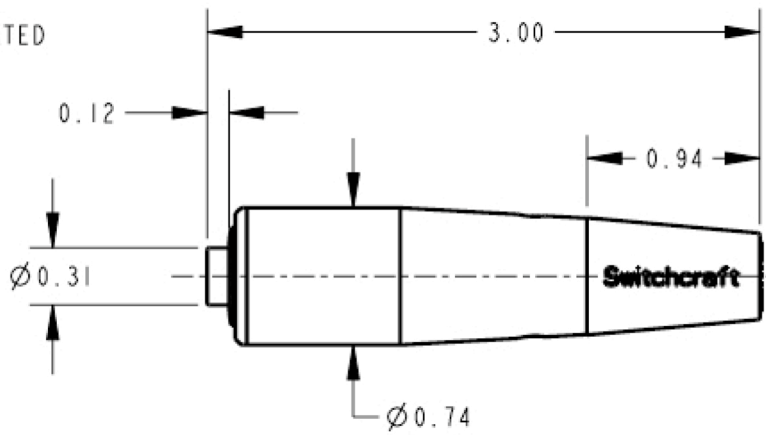
BUTTON COLOR
SEE TABLE



SECTION A-A



Ø0.23
ACCEPTS CABLE
UP TO Ø0.30



CUSTOMER DRAWING

★ STAR SYMBOL DENOTES CRITICAL DIMENSION

- UNLESS OTHERWISE SPECIFIED
- ALL DIMENSIONS IN INCHES
 - TWO PLACE DECIMALS ±0.01
 - THREE PLACE DECIMALS ±0.005
 - ANGLES ±1°
 - ALL DIA. CONCENTRIC WITHIN 0.005 T.I.R.
 - FEATURES ON THE SAME CENTERLINE MUST BE ALIGNED WITHIN ±0.002
 - REMOVE ALL BURRS

THIS DRAWING DESCRIBES A DESIGN CONSIDERED PROPRIETARY IN NATURE, DEVELOPED AND MANUFACTURED BY SWITCHCRAFT INC. AND IS RELEASED ON A CONFIDENTIAL BASIS FOR IDENTIFICATION PURPOSES ONLY.

REV	ECO NUMBER	DATE	BY	APVD
G	21131	8-21-96	TJK	TJK
REVISIONS				

SIZE	WIDTH	MULT	LBS/M	TEMPER
FINISH		MATERIAL		
SPEC No.		SPEC No.		
FIRST USED ON		SCALE		
		1:1		
DATE DRAWN	BY	CHKD	APVD	
11-May-10	WR	JS	RV	
		11-28-78	11-28-78	
NAME		PART No.		REV
CORD SWITCH, RoHS		ED903 & ED913		G

Switchcraft®

SHEET | OF |

