

Female thread single wall bracket - Outlet 1 coupler and drain



Inlet BSPP female thread

G 1/2

Temperature

-20°C to +80°C

Outlet BSPP female thread

G 1/2

Construction

Aluminium alloy

Operating pressure

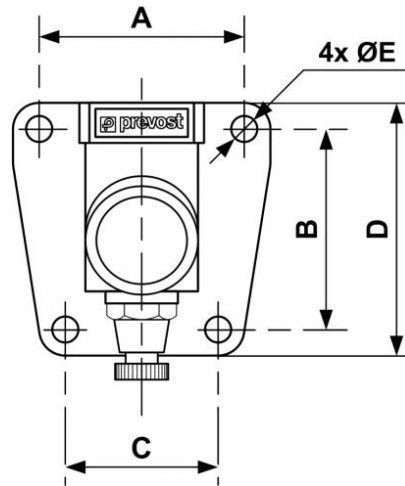
0 to 16 bar

Equipped with

Manual drain

Description

Reference	Inlet BSPP female thread	Outlet BSPP female thread
MF 103S1	G 1/2	G 1/2



Dimensions

Reference	A mm	B mm	C mm	D mm	E mm
MF 103S1	51	50	38	63	6.5