

har-modular Spacer 5 module female str.



Image is for illustration purposes only. Please refer to product description.

Part number	02 52 900 0004
Specification	har-modular Spacer 5 module female str.
HARTING eCatalogue	https://b2b.harting.com/02529000004

Identification

Category	Connectors
Series	har-modular®
Identification	P spacer
Element	Female connector
Description of the contact	Straight Empty module

Version

Width of the module	5.08 mm
Connection type	Motherboard to daughtercard Mezzanine
Details	Pluggable with male connector

Technical characteristics

Insulation resistance	$>10^{11} \Omega$
Limiting temperature	-55 ... +125 °C
Mating cycles	≥ 500
Isolation group	I ($600 \leq CTI$)
Hot plugging	No
Moisture Sensitivity Level (MSL)	1 acc. to ECA/IPC/JEDEC J-STD-020D

Material properties

Material (insert)	Polyamide (PA)
Colour (insert)	Black

Material properties

Material flammability class acc. to UL 94	V-0
---	-----

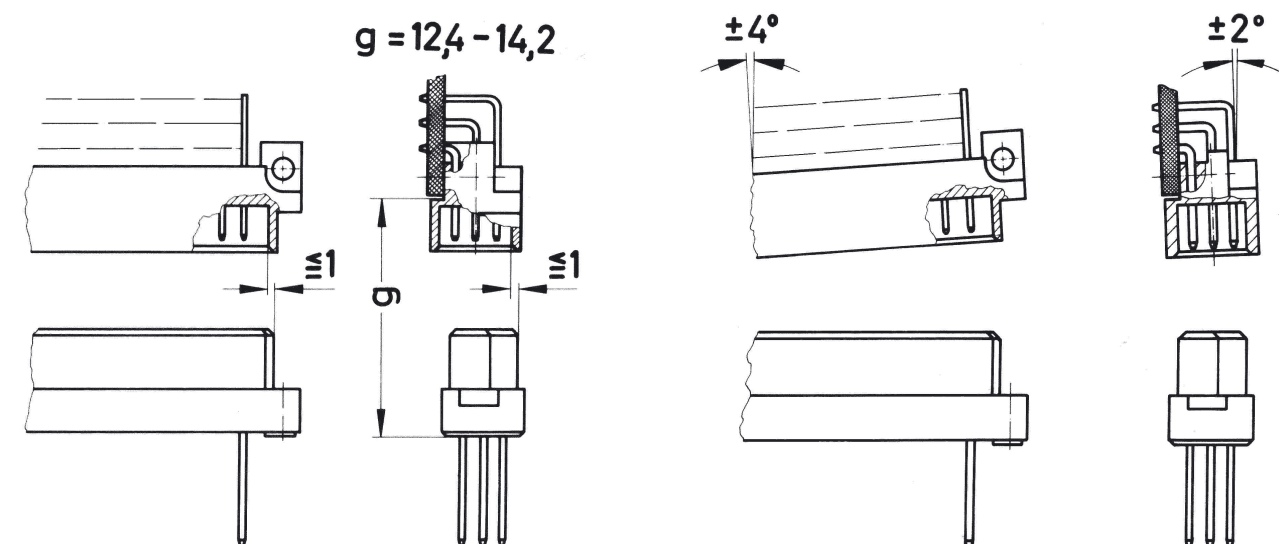
Specifications and approvals

Railway classification	F1/I2 acc. to NFF 16-101/102
------------------------	------------------------------

Commercial data

Packaging size	20
Country of origin	Romania
European customs tariff number	85366990
eCl@ss	27460201 PCB connector (board connector)

Mating conditions



To ensure reliable connections and prevent unnecessary damage, please refer to the application data diagrams. These recommendations are set out in IEC 60603-2. The connectors should not be coupled and decoupled under electrical load.