
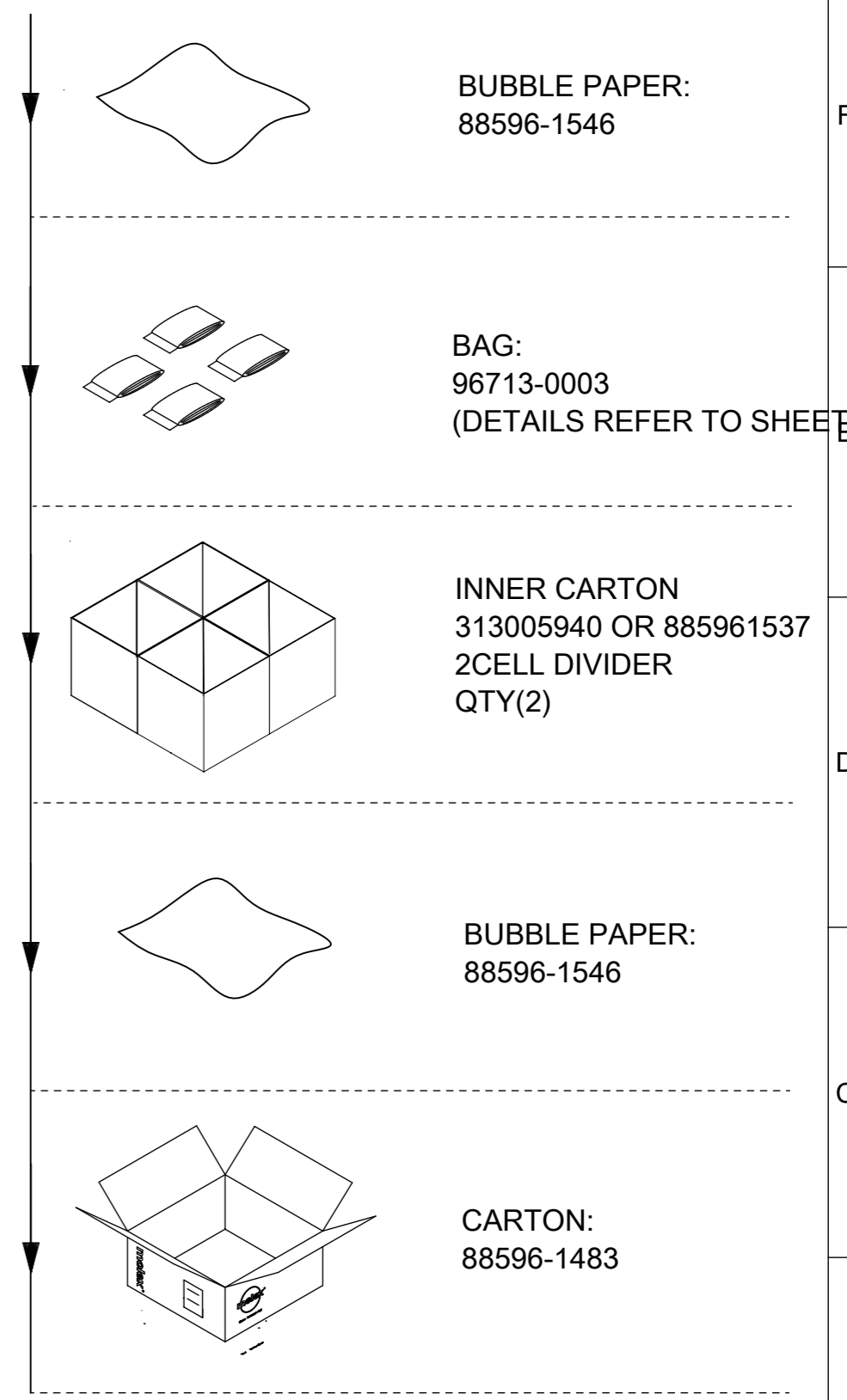
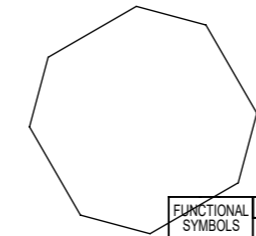
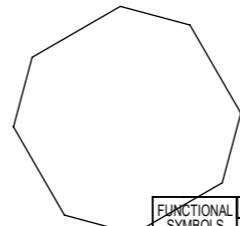
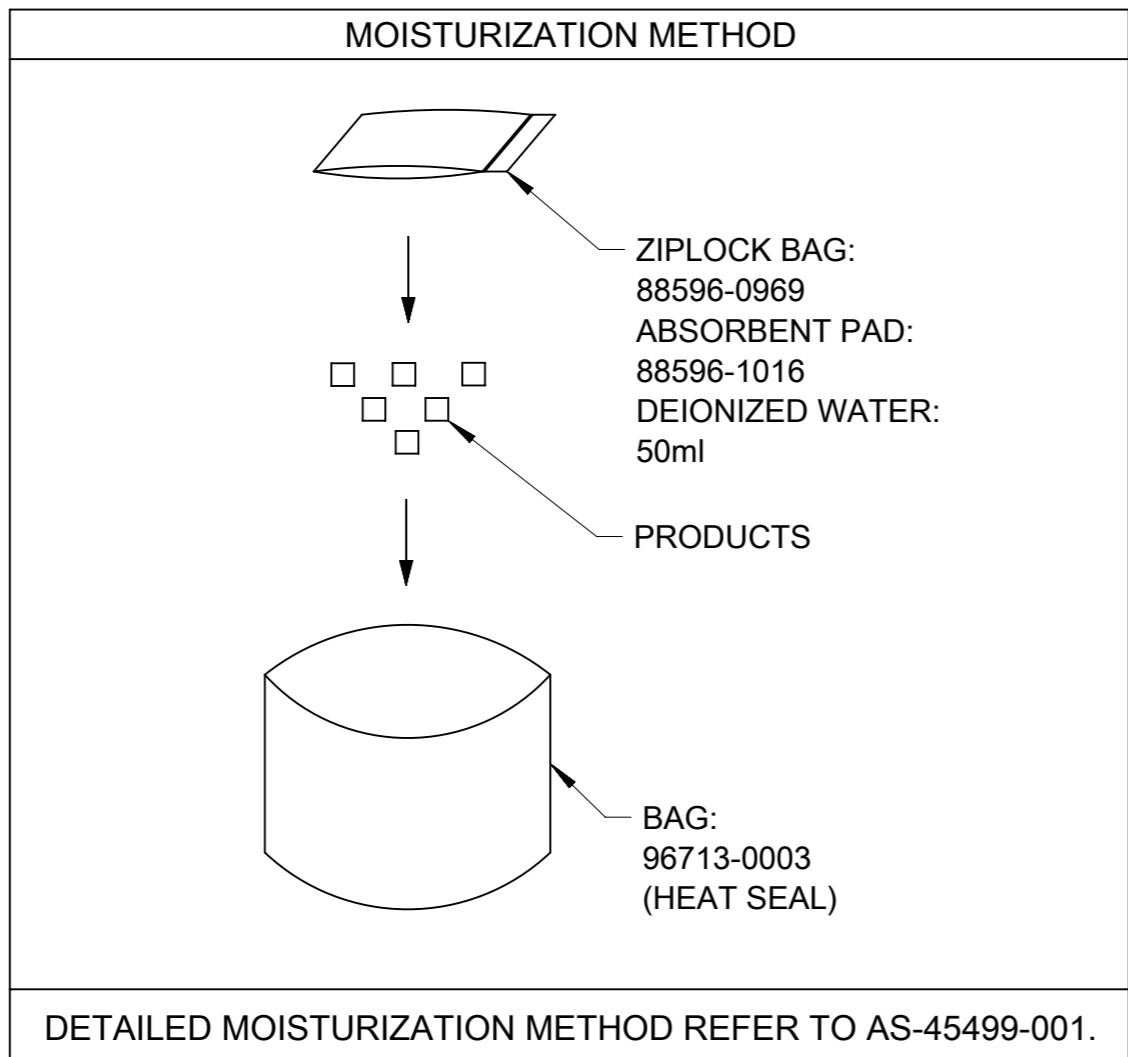


PART NUMBER	CKTS	QUANTITY PER BAG	BAGS PER CARTON	PARTS PER CARTON (SPQ)	MOISTURIZATION METHOD 	PANEL LOCK
215922-0201	2	3000	4	12000	NO MOISTURIZATION	WITHOUT
215922-0401	4	2600	4	10400		
215922-0601	6	2400	4	9600		
215922-0801	8	2200	4	8800		
215922-1001	10	2000	4	8000		
215922-1201	12	1800	4	7200		
215922-1401	14	1600	4	6400		
215922-1601	16	1200	4	4800		
215922-1801	18	1000	4	4000		
215922-2001	20	800	4	3200		
215922-2201	22	600	4	2400		
215922-2401	24	450	4	1800		
215922-0200	2	2000	4	8000	SEE SHEET 2	WITH
215922-0400	4	1800	4	7200		
215922-0600	6	1600	4	6400		
215922-0800	8	1400	4	5600		
215922-1000	10	1400	4	5600		
215922-1200	12	1200	4	4800		
215922-1400	14	1000	4	4000		
215922-1600	16	800	4	3200		
215922-1800	18	800	4	3200		
215922-2000	20	600	4	2400		
215922-2200	22	400	4	1600		
215922-2400	24	350	4	1400		



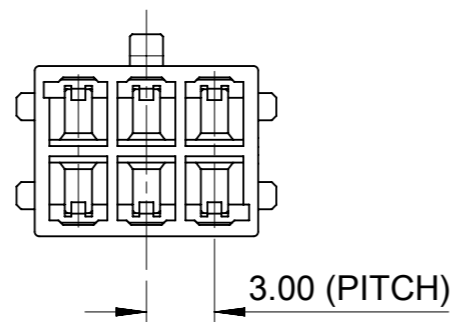
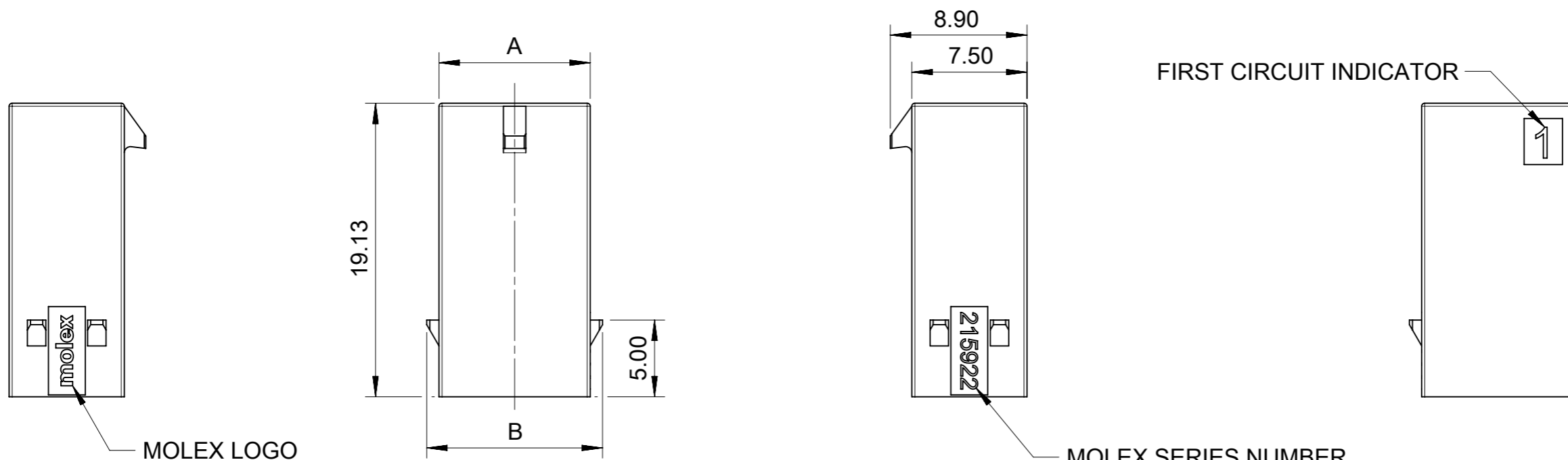
- NOTES:
1. MOISTURIZATION METHOD DESCRIPTION REFER TO SHEET 2.
 2. STANDARD PACKAGE QUANTITY (SPQ) SEE ABOVE CHART.
 3. PACKAGE WAY FOLLOW RIGHT ILLUSTRATION.
 4. ALL PACKAGE MATERIAL AND PRODUCT COMPLIANT TO RoHS DIRECTIVE 2011/65/EU AND ELV DIRECTIVE 2000/53/EC.

FUNCTIONAL SYMBOLS		THIS DRAWING CONTAINS INFORMATION THAT IS PROPRIETARY TO MOLEX ELECTRONIC TECHNOLOGIES, LLC AND SHOULD NOT BE USED WITHOUT WRITTEN PERMISSION		CURRENT REV DESC:		molex	
	0	mm	1:1	EC NO: 683725			
	0	GENERAL TOLERANCES (UNLESS SPECIFIED)		DRWN: GLLI 2021/10/28		PACKING SPEC FOR MICRO-FIT PLUS WTW HSG	
	0	ANGULAR TOL ± °		CHK'D: XQZHANG 2021/11/15		PRODUCT CUSTOMER DRAWING	
DIVISIONAL SYMBOLS		4 PLACES	±	APPR: XQZHANG 2021/11/15		DOCUMENT NUMBER	
		3 PLACES	± 0.1	INITIAL REVISION:		2159220000-PK	
		2 PLACES	± 0.3	DRWN: GLLI 2021/10/28		DOC TYPE	
		1 PLACE	± 0.5	APPR: XQZHANG 2021/11/15		DOC PART	
		0 PLACES	±	DRAFT WHERE APPLICABLE MUST REMAIN WITHIN DIMENSIONS		REVISION	
		THIRD ANGLE PROJECTION		DRAWING	SERIES	MATERIAL NUMBER	CUSTOMER
				A3-SIZE	215922		
						SHEET NUMBER	
						1 OF 2	



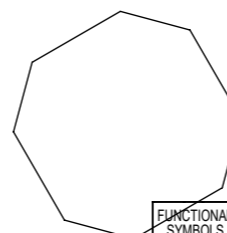
THIS DRAWING CONTAINS INFORMATION THAT IS PROPRIETARY TO MOLEX ELECTRONIC TECHNOLOGIES, LLC AND SHOULD NOT BE USED WITHOUT WRITTEN PERMISSION									
FUNCTIONAL SYMBOLS	THIS DRAWING CONTAINS INFORMATION THAT IS PROPRIETARY TO MOLEX ELECTRONIC TECHNOLOGIES, LLC AND SHOULD NOT BE USED WITHOUT WRITTEN PERMISSION	SCALE	CURRENT REV DESC:						
	mm	1:1							
DIVISIONAL SYMBOLS	GENERAL TOLERANCES (UNLESS SPECIFIED)		EC NO: 683725						
	ANGULAR TOL ± °		DRWN: GLLI 2021/10/28						
	4 PLACES ±	CHK'D: XQZHANG 2021/11/15							
	3 PLACES ± 0.1	APPR: XQZHANG 2021/11/15							
	2 PLACES ± 0.3	INITIAL REVISION:							
1 PLACE ± 0.5	DRWN: GLLI 2021/10/28								
0 PLACES ±	APPR: XQZHANG 2021/11/15								
DRAFT WHERE APPLICABLE MUST REMAIN WITHIN DIMENSIONS		THIRD ANGLE PROJECTION	DRAWING	SERIES	MATERIAL NUMBER	CUSTOMER	SHEET NUMBER		
			A3-SIZE	215922	2159220000-PK		2 OF 2		

FREE HANGING PLUG PARTS



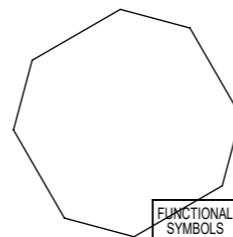
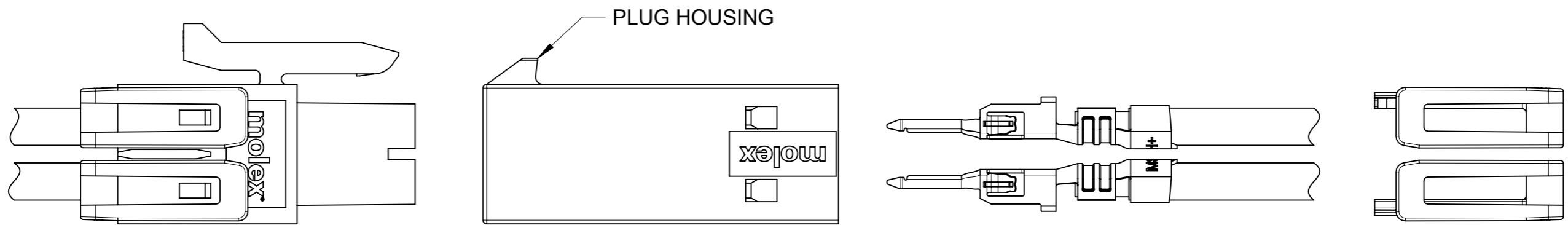
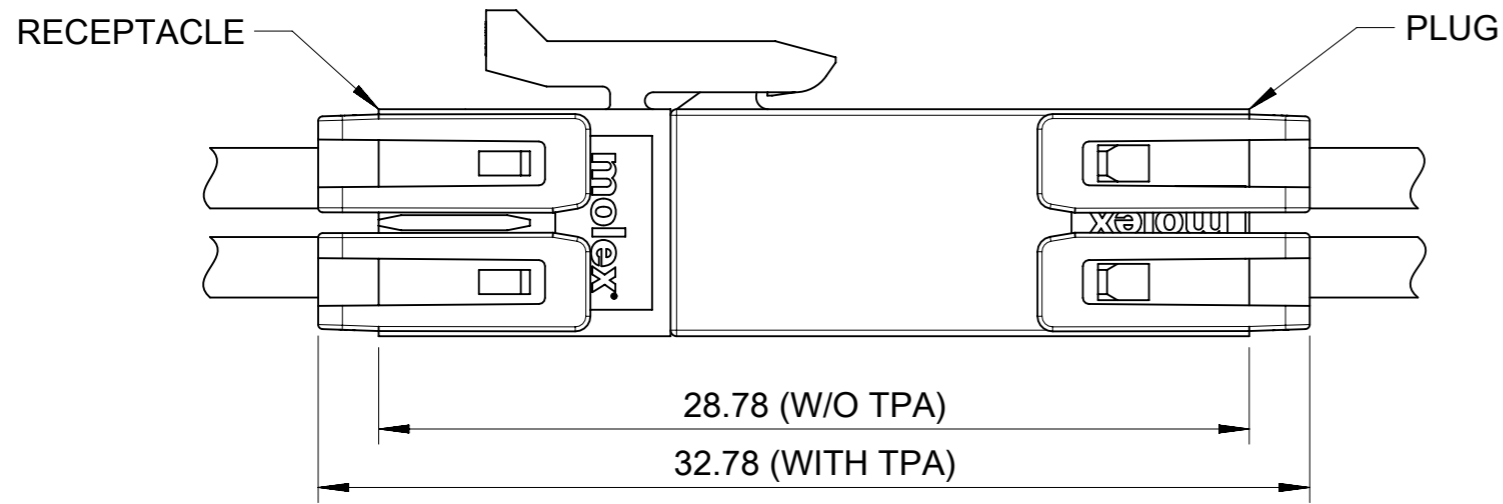
PART No	DIM'A'	DIM'B'	CKT SIZE
215922-0201	3.85	5.45	2
215922-0401	6.85	8.45	4
215922-0601	9.85	11.45	6
215922-0801	12.85	14.45	8
215922-1001	15.85	17.45	10
215922-1201	18.85	20.45	12
215922-1401	21.85	23.45	14
215922-1601	24.85	26.45	16
215922-1801	27.85	29.45	18
215922-2001	30.85	32.45	20
215922-2201	33.85	35.45	22
215922-2401	36.85	38.45	24

- NOTES:
1. MATERIAL: PA66, 94V-0, BLACK.
 2. PRODUCT SPECIFICATION: 2159530000-PS.
 3. PACKAGE SPECIFICATION: 2159220000-PK.
 4. TO USE WITH TERMINAL OF 2015953-****.
 5. TO USE WITH TPA OF 206462-****.
 6. TO MATE WITH RECEPTACLE OF 206461-****.
 7. PARTS CONFORM TO CLASS 'B' REQUIREMENTS OF COSMETIC SPECIFICATION PS-45499-002.



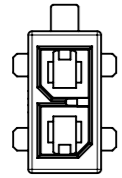
FUNCTIONAL SYMBOLS		THIS DRAWING CONTAINS INFORMATION THAT IS PROPRIETARY TO MOLEX ELECTRONIC TECHNOLOGIES, LLC AND SHOULD NOT BE USED WITHOUT WRITTEN PERMISSION		CURRENT REV DESC:		molex	
DIMENSION UNITS		SCALE		EC NO: 683725			
mm		1:1		DRWN: GLLI 2021/10/27		PLUG HOUSING OF MICRO-FIT PLUS WTW DR POWER CONNECTOR	
GENERAL TOLERANCES (UNLESS SPECIFIED)		ANGULAR TOL ± °		CHK'D: XQZHANG 2021/11/15		PRODUCT CUSTOMER DRAWING	
4 PLACES ±		3 PLACES ±		APPR: XQZHANG 2021/11/15		DOCUMENT NUMBER	
2 PLACES ± 0.2		1 PLACE ± 0.3		INITIAL REVISION:		DOC TYPE	
0 PLACES ±		DRAFT WHERE APPLICABLE MUST REMAIN WITHIN DIMENSIONS		DRWN: GLLI 2021/01/29		DOC PART	
THIRD ANGLE PROJECTION		DRAWING		APPR: XQZHANG 2021/11/15		REVISION	
A3-SIZE		SERIES		MATERIAL NUMBER		CUSTOMER	
215922		GENERAL MARKET		2159220000-SD		SHEET NUMBER	
1 OF 6							

FREE HANGING PLUG PARTS

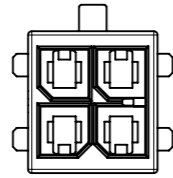


THIS DRAWING CONTAINS INFORMATION THAT IS PROPRIETARY TO MOLEX ELECTRONIC TECHNOLOGIES, LLC AND SHOULD NOT BE USED WITHOUT WRITTEN PERMISSION									
FUNCTIONAL SYMBOLS	DIMENSION UNITS	SCALE	CURRENT REV DESC:						
$\nabla_A = 0$	mm	1:1	molex PLUG HOUSING OF MICRO-FIT PLUS WTW DR POWER CONNECTOR PRODUCT CUSTOMER DRAWING						
$\nabla_F = 0$	GENERAL TOLERANCES (UNLESS SPECIFIED)								
$\nabla_V = 0$	ANGULAR TOL \pm °								
DIVISIONAL SYMBOLS	4 PLACES	\pm	EC NO: 683725	2021/10/27			DOCUMENT NUMBER		
	3 PLACES	\pm	DRWN: GLLI	2021/11/15			2159220000-SD		
	2 PLACES	± 0.2	CHK'D: XQZHANG	2021/11/15			DOC TYPE	DOC PART	REVISION
	1 PLACE	± 0.3	APPR: XQZHANG	INITIAL REVISION:			PSD	000	A
	0 PLACES	\pm	DRWN: GLLI	2021/01/29			SHEET NUMBER		
	DRAFT WHERE APPLICABLE MUST REMAIN WITHIN DIMENSIONS		APPR: XQZHANG	2021/11/15			2 OF 6		
	THIRD ANGLE PROJECTION		DRAWING	SERIES	MATERIAL NUMBER	CUSTOMER			
			A3-SIZE	215922	GENERAL MARKET				

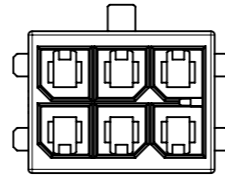
FREE HANGING PLUG PARTS



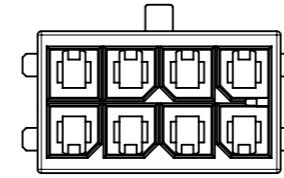
2 CKT



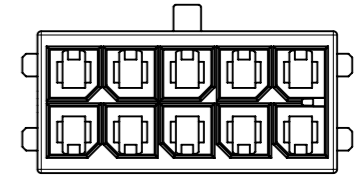
4 CKT



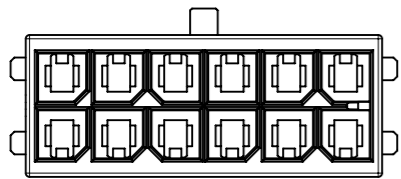
6 CKT



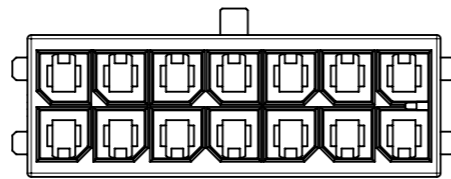
8 CKT



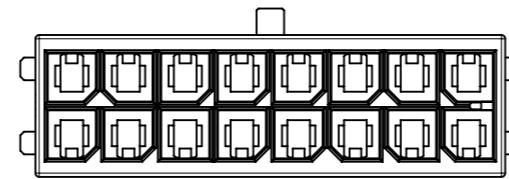
10 CKT



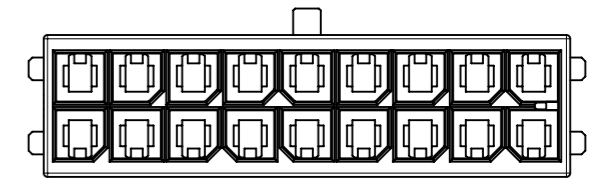
12 CKT



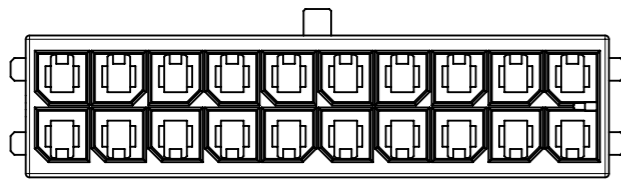
14 CKT



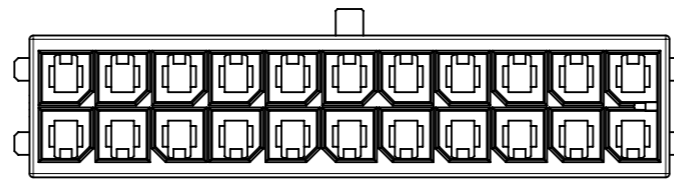
16 CKT



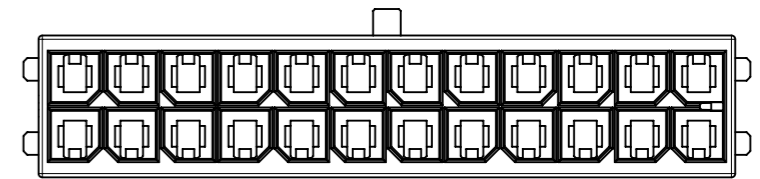
18 CKT



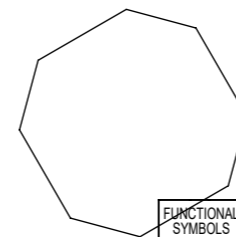
20 CKT



22 CKT

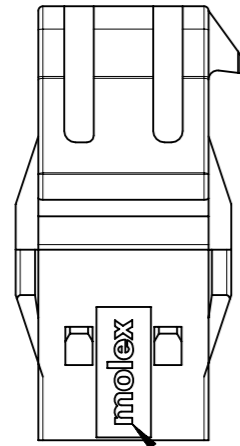


24 CKT

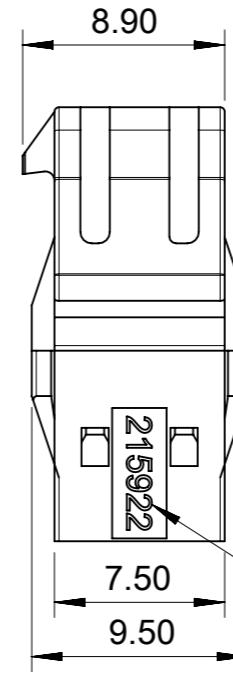
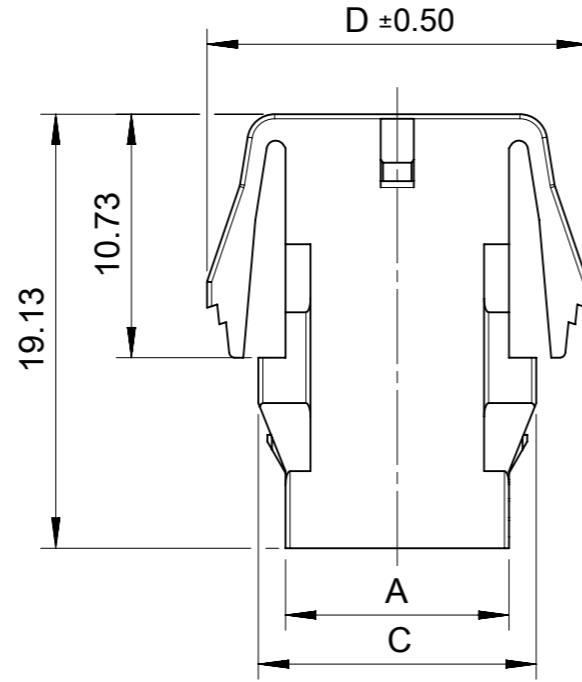


FUNCTIONAL SYMBOLS	THIS DRAWING CONTAINS INFORMATION THAT IS PROPRIETARY TO MOLEX ELECTRONIC TECHNOLOGIES, LLC AND SHOULD NOT BE USED WITHOUT WRITTEN PERMISSION		CURRENT REV DESC:		molex		
	$\nabla_A = 0$ $\nabla_E = 0$ $\nabla_P = 0$	DIMENSION UNITS: mm SCALE: 1:1					
DIVISIONAL SYMBOLS	4 PLACES ±	EC NO: 683725	2021/10/27		PRODUCT CUSTOMER DRAWING		
	3 PLACES ±	DRWN: GLLI	2021/11/15				
	2 PLACES ± 0.2	CHK'D: XQZHANG	2021/11/15		DOCUMENT NUMBER		
	1 PLACE ± 0.3	APPR: XQZHANG	2021/11/15		2159220000-SD		
0 PLACES ±	INITIAL REVISION:	2021/01/29		DOC TYPE			
DRAFT WHERE APPLICABLE MUST REMAIN WITHIN DIMENSIONS		DRWN: GLLI	2021/11/15		DOC PART		
THIRD ANGLE PROJECTION		APPR: XQZHANG	2021/11/15		REVISION		
DRAWING		SERIES		MATERIAL NUMBER			CUSTOMER
A3-SIZE		215922		GENERAL MARKET			SHEET NUMBER
				3 OF 6			

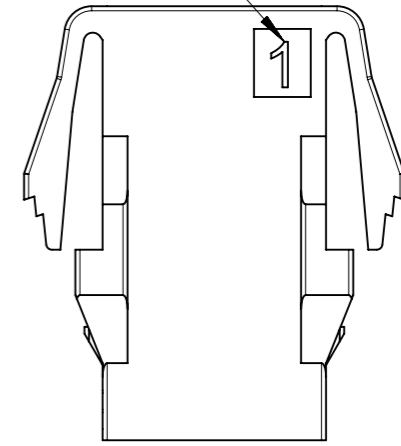
PANEL MOUNT PLUG PARTS



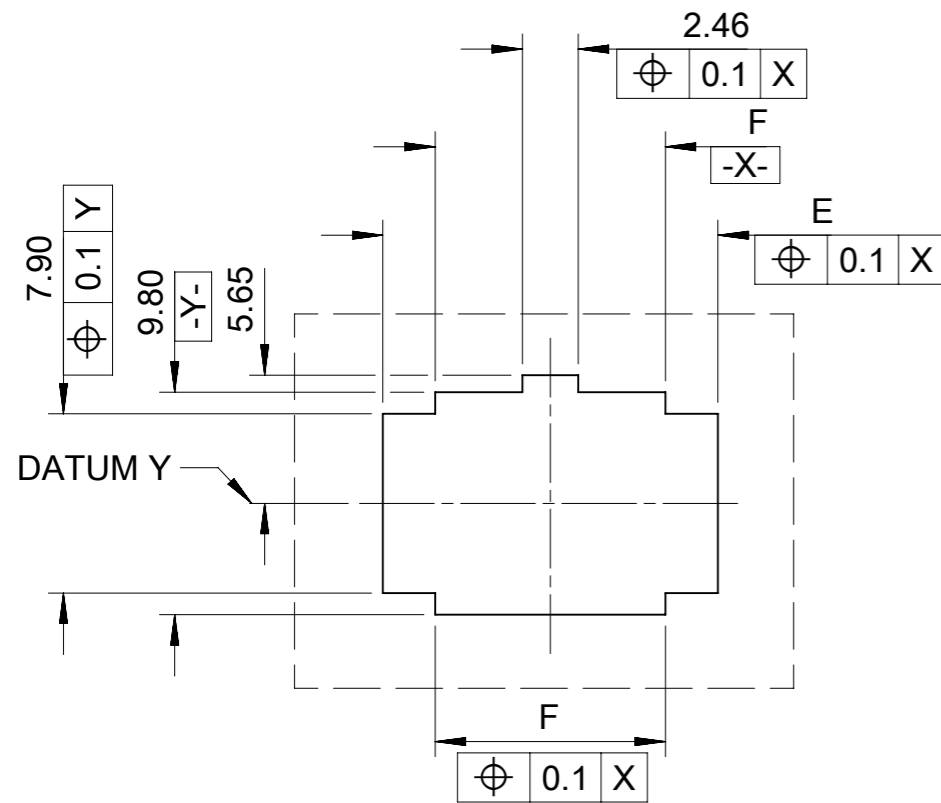
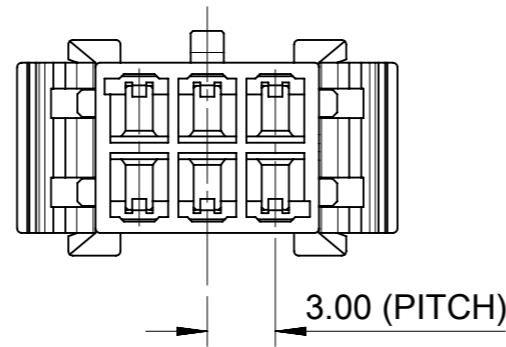
MOLEX LOGO



FIRST CIRCUIT INDICATOR



MOLEX SERIES NUMBER

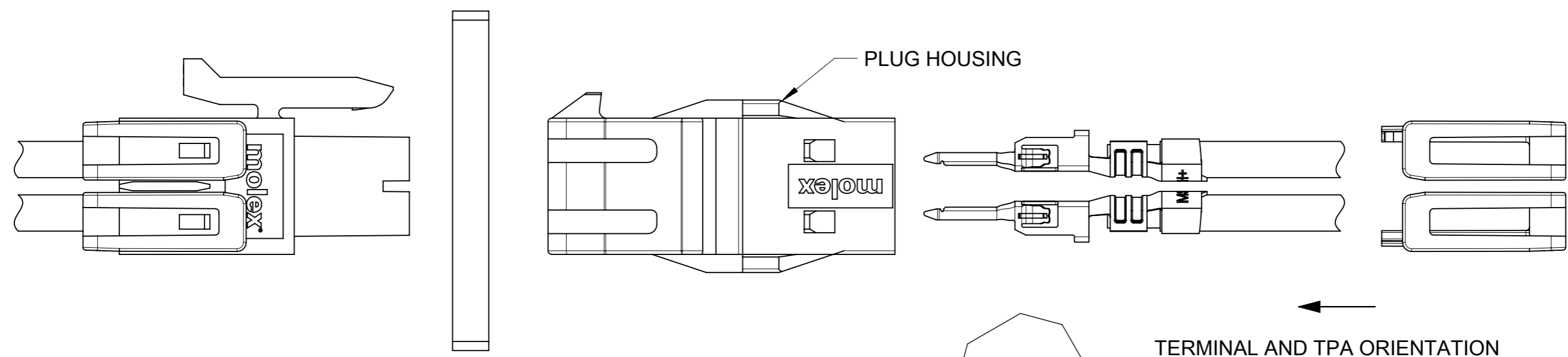
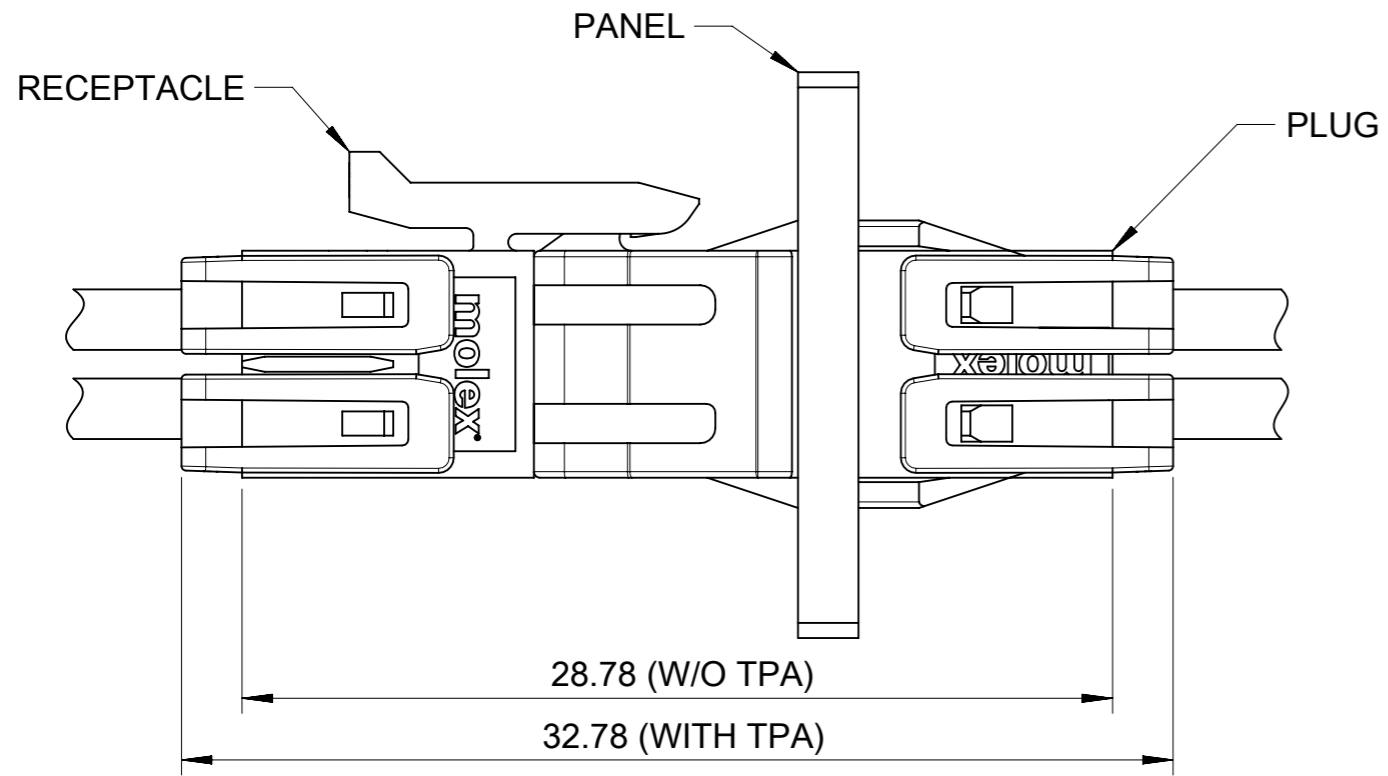


PART No	DIM 'A'	DIM 'C'	DIM 'D'	DIM 'E'	DIM 'F'	CKT SIZE
215922-0200	3.85	6.25	10.77	8.77	4.15	2
215922-0400	6.85	9.25	13.77	11.77	7.15	4
215922-0600	9.85	12.25	16.77	14.77	10.15	6
215922-0800	12.85	15.25	19.77	17.77	13.15	8
215922-1000	15.85	18.25	22.77	20.77	16.15	10
215922-1200	18.85	21.25	25.77	23.77	19.15	12
215922-1400	21.85	24.25	28.77	26.77	22.15	14
215922-1600	24.85	27.25	31.77	29.77	25.15	16
215922-1800	27.85	30.25	34.77	32.77	28.15	18
215922-2000	30.85	33.25	37.77	35.77	31.15	20
215922-2200	33.85	36.25	40.77	38.77	34.15	22
215922-2400	36.85	39.25	43.77	41.77	37.15	24

RECOMMENDED PANEL CUT OUT
(TOLERRANCE +/-0.05 THICKNESS=1.2~2.2MM)

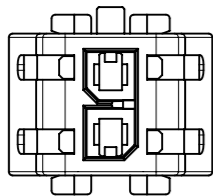
FUNCTIONAL SYMBOLS $\nabla_A = 0$ $\nabla_E = 0$ $\nabla_F = 0$	THIS DRAWING CONTAINS INFORMATION THAT IS PROPRIETARY TO MOLEX ELECTRONIC TECHNOLOGIES, LLC AND SHOULD NOT BE USED WITHOUT WRITTEN PERMISSION	SCALE 1:1	CURRENT REV DESC:		
	GENERAL TOLERANCES (UNLESS SPECIFIED)	mm	molex		
DIVISIONAL SYMBOLS	ANGULAR TOL ± °	4 PLACES ±	PLUG HOUSING OF MICRO-FIT PLUS WTW DR POWER CONNECTOR		
	3 PLACES ±	2 PLACES ± 0.2	PRODUCT CUSTOMER DRAWING		
	2 PLACES ± 0.2	1 PLACE ± 0.3	DOCUMENT NUMBER		
	1 PLACE ± 0.3	0 PLACES ±	2159220000-SD		
	0 PLACES ±		DOC TYPE DOC PART REVISION		
			PSD 000 A		
			SHEET NUMBER		
			4 OF 6		

PANEL MOUNT PLUG PARTS

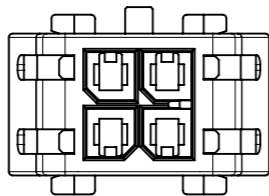


FUNCTIONAL SYMBOLS	THIS DRAWING CONTAINS INFORMATION THAT IS PROPRIETARY TO MOLEX ELECTRONIC TECHNOLOGIES, LLC AND SHOULD NOT BE USED WITHOUT WRITTEN PERMISSION				
	$\nabla_A = 0$ $\nabla_F = 0$ $\nabla_P = 0$	DIMENSION UNITS: mm SCALE: 1:1			
DIVISIONAL SYMBOLS	GENERAL TOLERANCES (UNLESS SPECIFIED)		PRODUCT CUSTOMER DRAWING		
	ANGULAR TOL	± °	DOCUMENT NUMBER		
	4 PLACES	±	2159220000-SD		
	3 PLACES	±	DOC TYPE	DOC PART	REVISION
2 PLACES	± 0.2	PSD 000 A			
1 PLACE	± 0.3	INITIAL REVISION:		SHEET NUMBER	
0 PLACES	±	DRWN: GLLI APPR: XQZHANG		5 OF 6	
DRAFT WHERE APPLICABLE MUST REMAIN WITHIN DIMENSIONS		THIRD ANGLE PROJECTION	DRAWING	SERIES	MATERIAL NUMBER
			A3-SIZE	215922	CUSTOMER
					GENERAL MARKET

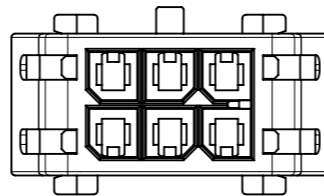
PANEL MOUNT PLUG PARTS



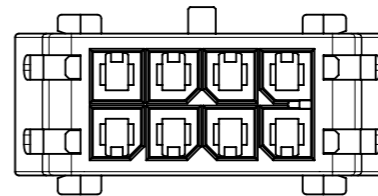
2 CKT



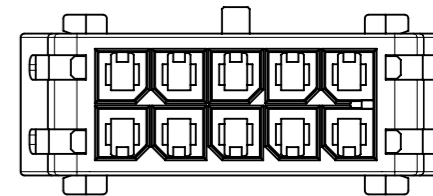
4 CKT



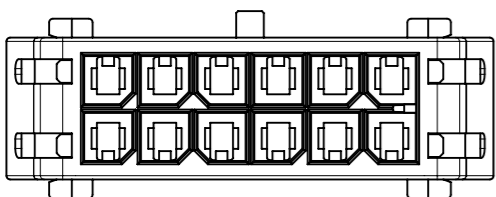
6 CKT



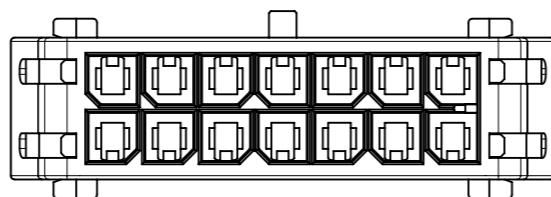
8 CKT



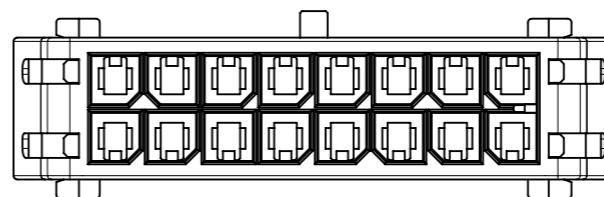
10 CKT



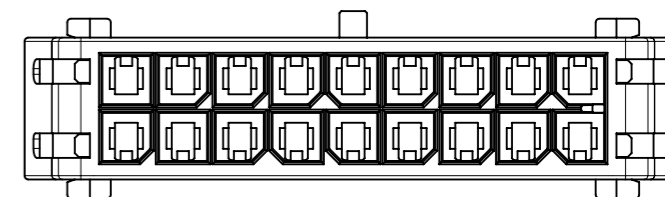
12 CKT



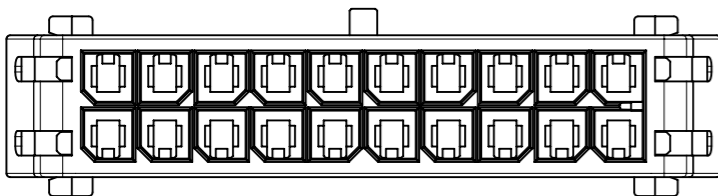
14 CKT



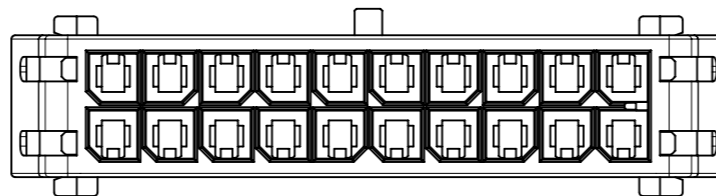
16 CKT



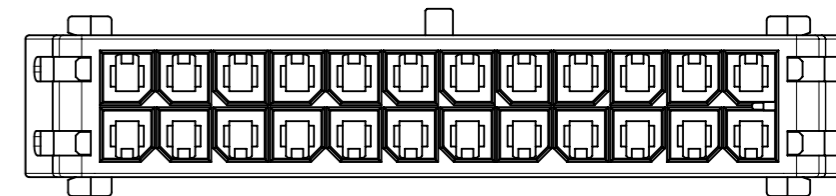
18 CKT



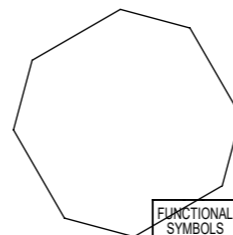
20 CKT



22 CKT



24 CKT



FUNCTIONAL SYMBOLS	THIS DRAWING CONTAINS INFORMATION THAT IS PROPRIETARY TO MOLEX ELECTRONIC TECHNOLOGIES, LLC AND SHOULD NOT BE USED WITHOUT WRITTEN PERMISSION		CURRENT REV DESC:						
	$\nabla_A = 0$ $\nabla_F = 0$ $\nabla_P = 0$	DIMENSION UNITS mm							SCALE 1:1
DIVISIONAL SYMBOLS	4 PLACES ±	EC NO: 683725	2021/10/27		PLUG HOUSING OF MICRO-FIT PLUS WTW DR POWER CONNECTOR				
	3 PLACES ±	DRWN: GLLI	2021/11/15		PRODUCT CUSTOMER DRAWING				
	2 PLACES ± 0.2	CHK'D: XQZHANG	2021/11/15		DOCUMENT NUMBER				
	1 PLACE ± 0.3	APPR: XQZHANG	2021/11/15		2159220000-SD		DOC TYPE	DOC PART	REVISION
	0 PLACES ±	INITIAL REVISION:	2021/01/29		GENERAL MARKET		000	A	6 OF 6
DRAFT WHERE APPLICABLE MUST REMAIN WITHIN DIMENSIONS		THIRD ANGLE PROJECTION	DRAWING	SERIES	MATERIAL NUMBER	CUSTOMER	SHEET NUMBER		
			A3-SIZE	215922		GENERAL MARKET	6 OF 6		

Mouser Electronics

Authorized Distributor

Click to View Pricing, Inventory, Delivery & Lifecycle Information:

Molex:

[215922-0200](#) [215922-0401](#) [215922-0600](#) [215922-0800](#) [215922-1601](#) [215922-0201](#) [215922-0400](#) [215922-0601](#)
[215922-0801](#) [215922-1000](#) [215922-1001](#) [215922-1200](#) [215922-1201](#) [215922-1400](#) [215922-1401](#) [215922-1600](#)
[215922-1800](#) [215922-1801](#) [215922-2000](#) [215922-2001](#) [215922-2200](#) [215922-2201](#) [215922-2400](#) [215922-2401](#)