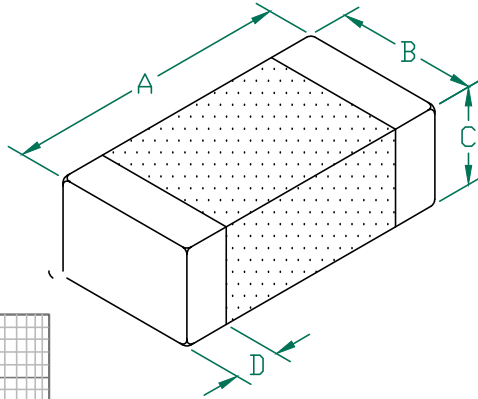


# HI1206T161R-10

## PHYSICAL DIMENSIONS:

A	3.20 [.126]	+ 0.20 [.008]
B	1.60 [.063]	+ 0.20 [.008]
C	1.60 [.063]	+ 0.20 [.008]
D	0.51 [.020]	+ 0.25 [.010]

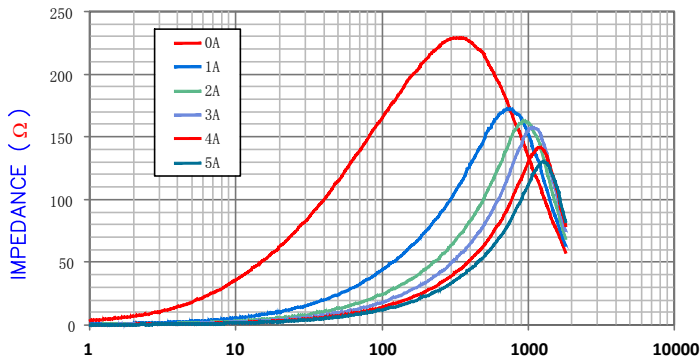


## ELECTRICAL CHARACTERISTICS:

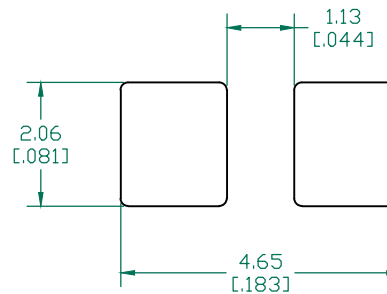
Z @ 100MHz (Ω)	DCR (Ω)	Rated Current
Nominal	160	
Minimum	120	
Maximum	208	6000 mA

- NOTES: UNLESS OTHERWISE SPECIFIED
- TAPED AND REELED per CURRENT EIA SPECIFICATIONS 7" REELS, 2000 PCS/REEL, EMBOSSED PLASTIC TAPE.
  - COMPONENTS SHOULD BE ADEQUATELY PREHEATED BEFORE SOLDERING.
  - TERMINATION FINISH IS 100% TIN.
  - OPERATING TEMPERATURE TEMP: -40°C~+125°C (INCLUDING SELF-HEATING)

Z vs FREQUENCY  
IMPEDANCE UNDER DC BIAS

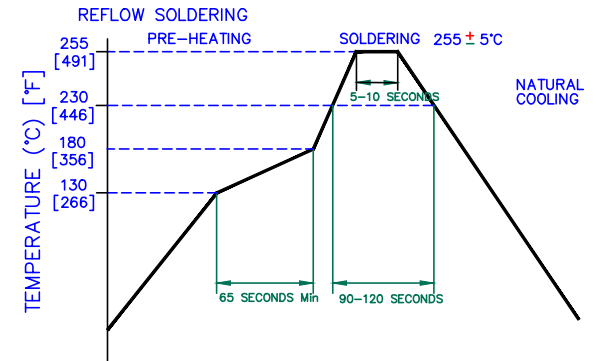


LAND PATTERNS FOR REFLOW SOLDERING

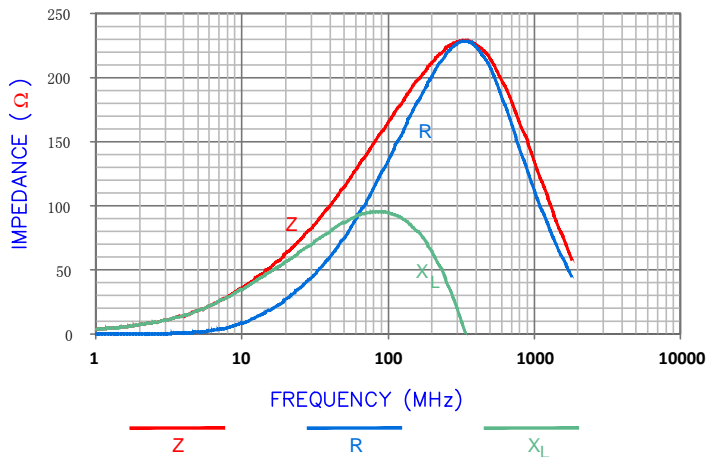


(For wave soldering, add 0.762 [0.030] to this dimension)

RECOMMENDED SOLDERING CONDITIONS



FREQUENCY (MHz)  
|Z|, R, AND X vs. FREQUENCY



DIMENSIONS ARE IN mm [INCHES].				This print is the property of Laird Tech. and is loaned in confidence subject to return upon request and with the understanding that no copies shall be made without the written consent of Laird Tech. All rights to design or invention are reserved.			
J	UPDATE LAYOUT	06/23/16	QU				
H	OPERATING TEMPERATURE UPDATE LAIRD LOGO AND REFLOW CURVE	08/05/13	QU				
G	UPDATE CURVES AND REF NUMBER	07/08/10	JUN				
F	UPDATE COMPANY LOGO	10/09/08	TMB				
E	ADD EMBOSSED PLASTIC TAPE TO NOTE 1	01/19/07	JRK				
D	CHANGE C DIMENSION	01/15/07	JRK				
C	CHG REEL QTY ADD ROHS SYMBOL	08/28/06	JRK				
REV	DESCRIPTION	DATE	INT				
PROJECT/PART NUMBER:						REV	PART TYPE:
HI1206T161R-10						J	CO-FIRE
DATE: 01/13/04				SCALE: NTS	SHEET: 1 of 1		
CAD # HI1206T161R-10-J				TOOL # -			



# Mouser Electronics

Authorized Distributor

Click to View Pricing, Inventory, Delivery & Lifecycle Information:

[Laird Performance Materials:](#)

[HI1206T161R-10](#)