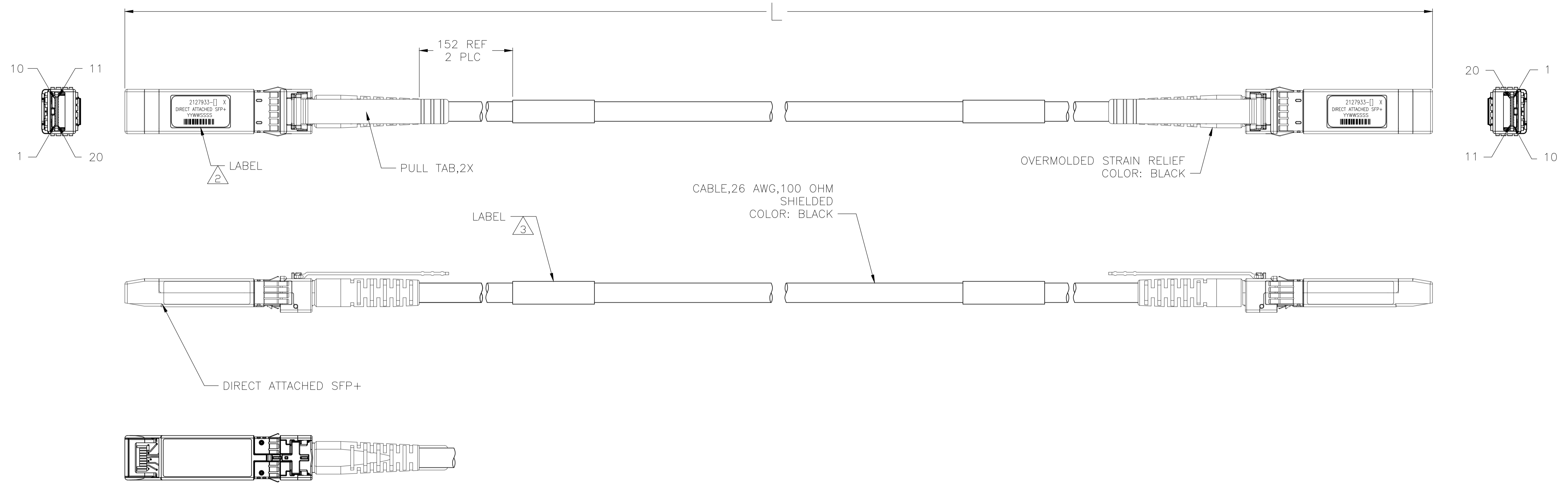
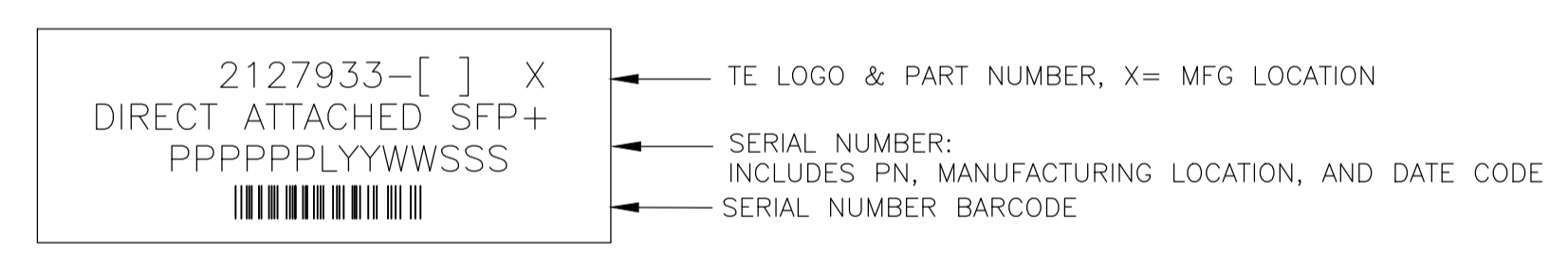


REVISIONS					
P	LTR	DESCRIPTION	DATE	OWN	APVD
D	REV PER ECO-20-005299		15APR2020	AK	GL

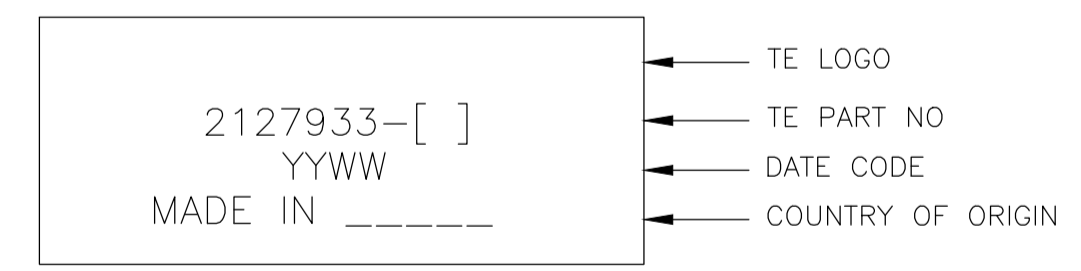


1. CHARACTERISTIC IMPEDANCE: 100±10 OHMS (MEASURED DIFFERENTIALLY).

2 LABEL INFORMATION:



3 LABEL INFORMATION:



4. SEE SHEET 2 FOR WIRING SCHEMATIC.

5. ROHS COMPLIANCE: PRODUCT AND PROCESSING MEETS REQUIREMENTS OF TYCO ELECTRONICS SPECIFICATION TEC-138-702.

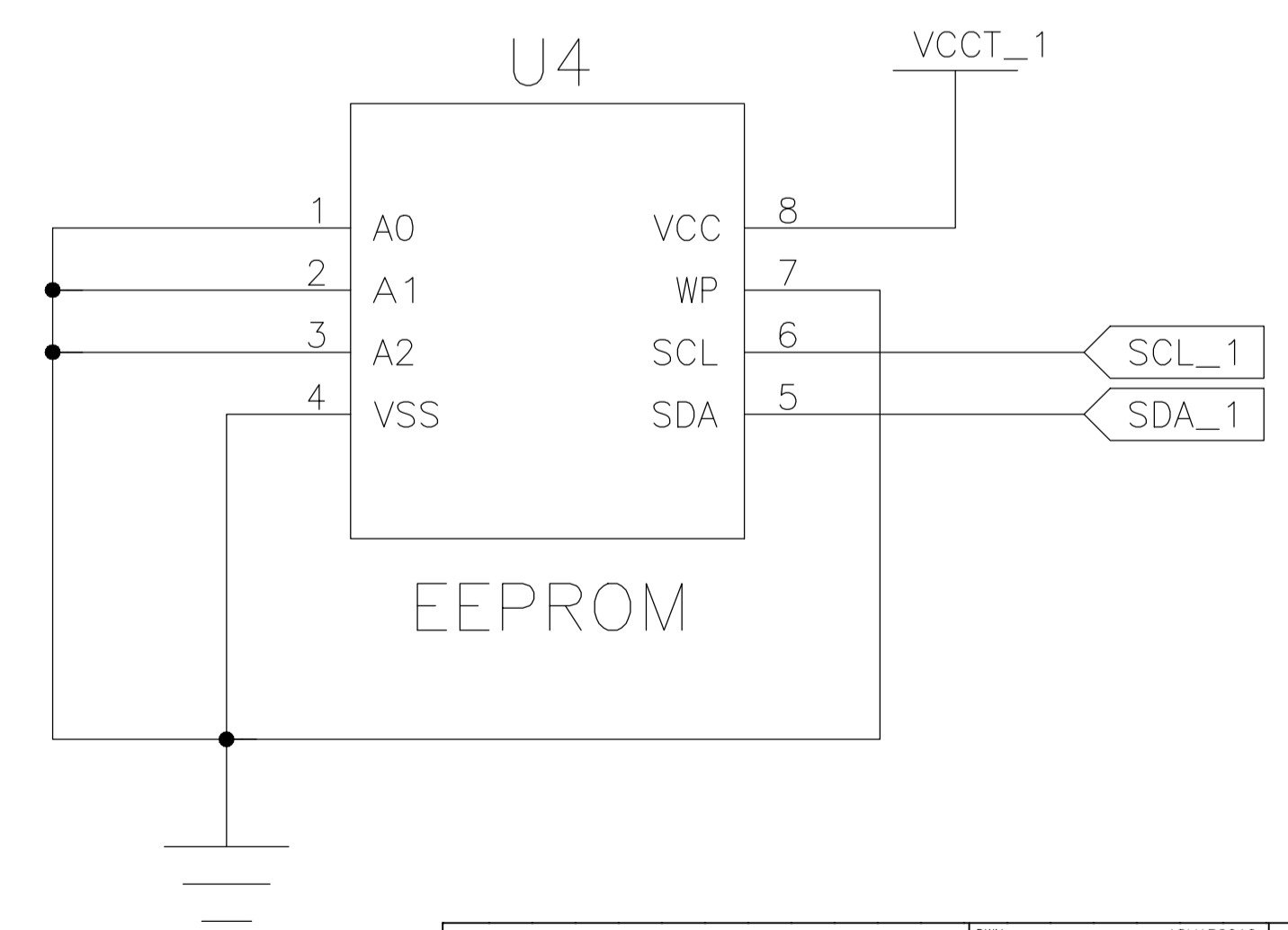
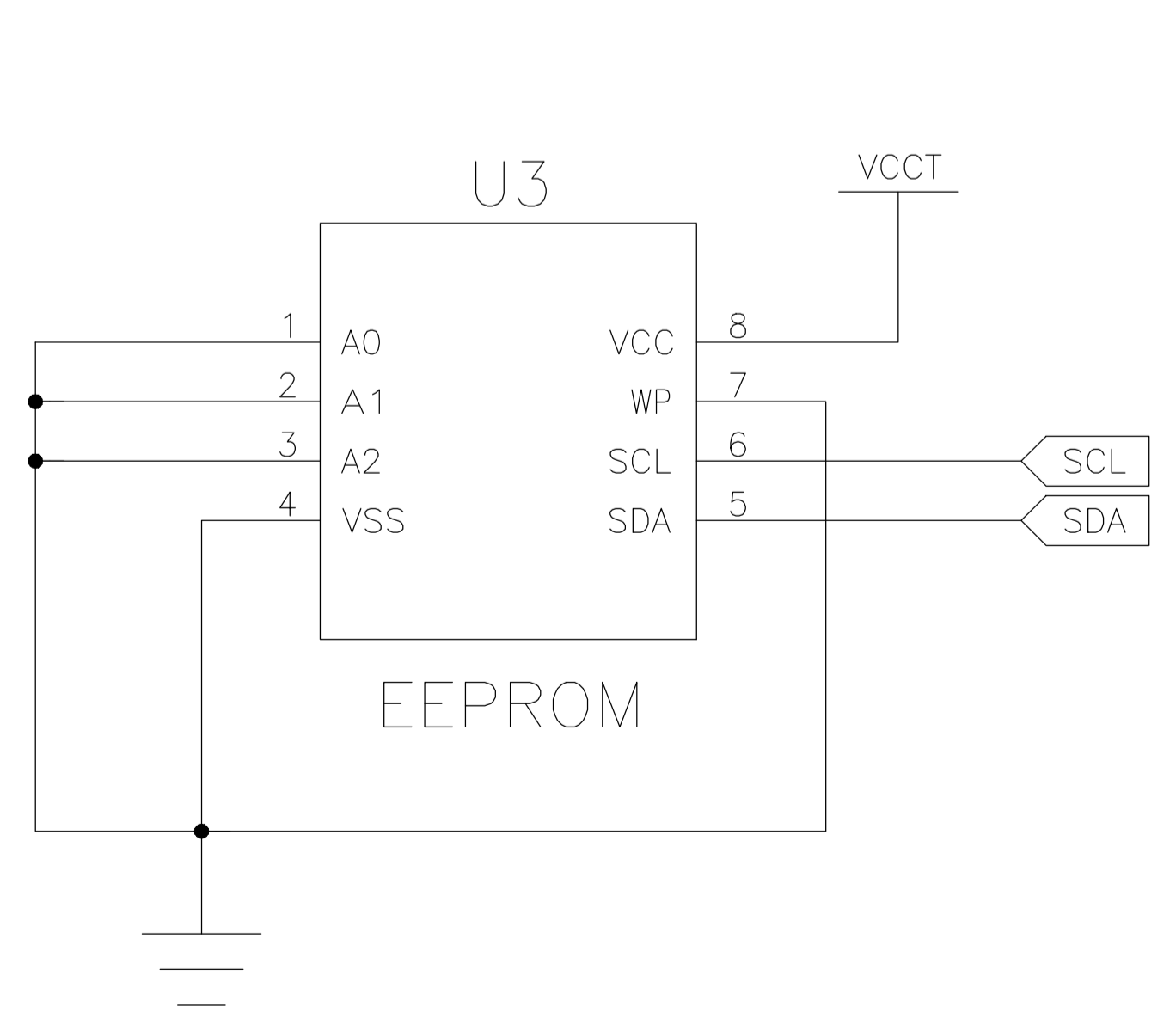
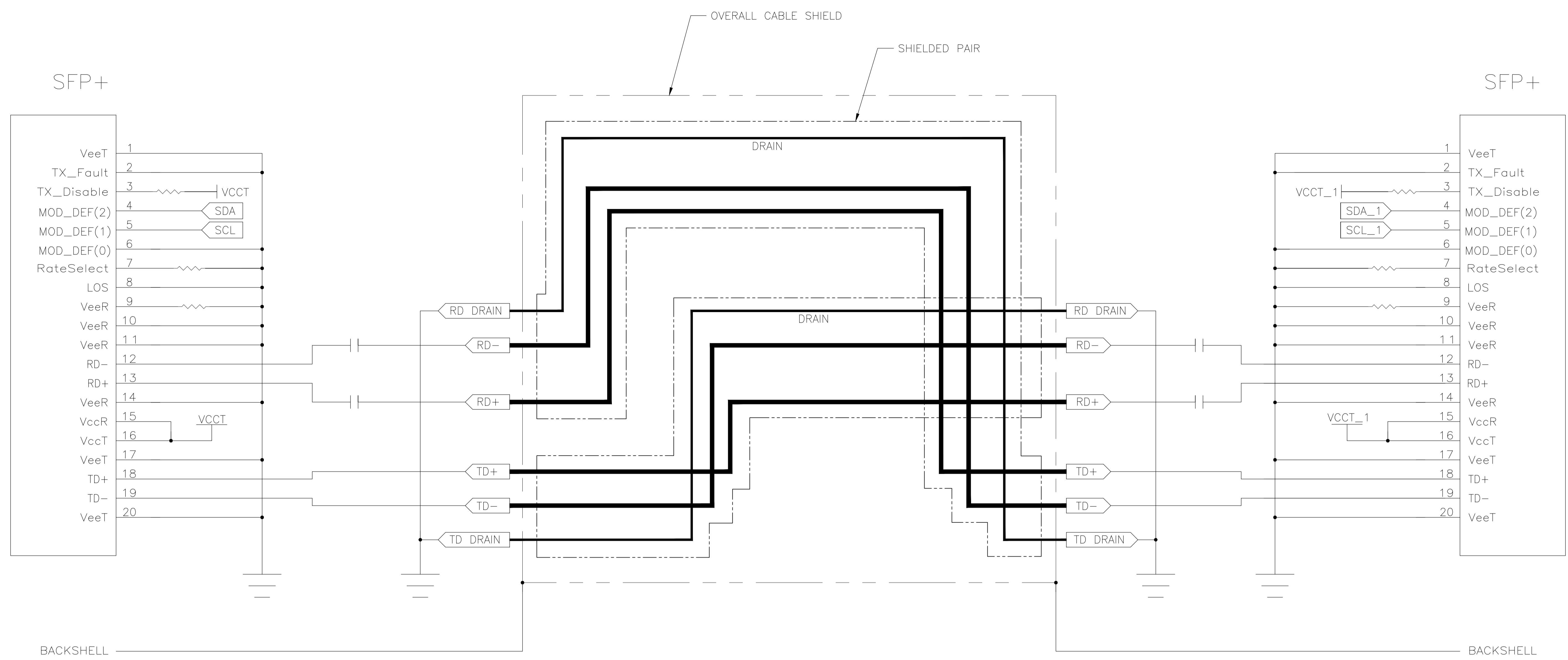
6	+0.1 -0	METERS	2127933-7
5	+0.1 -0	METERS	2127933-6
4	+0.08 -0	METERS	2127933-5
3	+0.08 -0	METERS	2127933-4
2	+0.08 -0	METERS	2127933-3
1	+0.05 -0	METERS	2127933-2
0.5	+0.05 -0	METERS	2127933-1
L			PART NO

THIS DRAWING IS A CONTROLLED DOCUMENT.

DIN	T. SMITH	18MAR2010
CHK	C. ADAMS	18MAR2010
APVD	C. ADAMS	18MAR2010
NAME	CABLE ASSY, 26 AWG, SFP+ TO SFP+ NI_PLATED	
PRODUCT SPEC	-	
APPLICATION SPEC	-	
SIZE	A1	000779
CAGE CODE	C=2127933	
DRAWING NO	-	
RESTRICTED TO	-	
WEIGHT	-	
CUSTOMER DRAWING	SCALE	1:1
SHEET	1	OF 2
REV	D	

TE Connectivity Ltd.

REVISIONS					
P	LTR	DESCRIPTION	DATE	DN	APVD
-	-	SEE SHEET 1	-	-	-



THIS DRAWING IS A CONTROLLED DOCUMENT.		DIN T. SMITH 18MAR2010		TE Connectivity Ltd.	
DIMENSIONS: mm		CHK C. ADAMS 18MAR2010			
TOLERANCES UNLESS OTHERWISE SPECIFIED:		APVD C. ADAMS 18MAR2010		NAME	
0. PLC ± -		PRODUCT SPEC		CABLE ASSY, 26 AWG, SFP+ TO SFP+ NI_PLATED	
1. PLC ± -		APPLICATION SPEC		SIZE	
2. PLC ± -		WEIGHT		CAGE CODE	
3. PLC ± -		A1 00779		DRAWING NO	
4. PLC ± -		CUSTOMER DRAWING		2127933	
ANGLES ± -		SCALE 1:1		SHEET 2 OF 2	
FINISH -		REV D			

# Mouser Electronics

Authorized Distributor

Click to View Pricing, Inventory, Delivery & Lifecycle Information:

[TE Connectivity:](#)

[2127933-6](#)