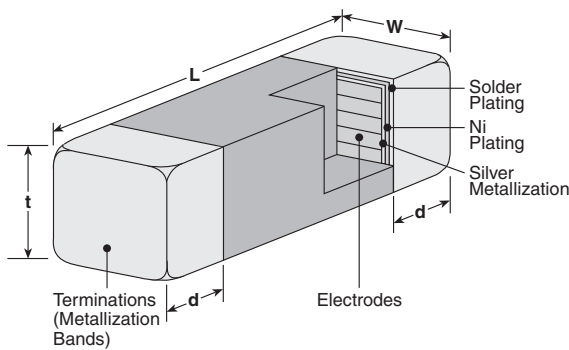




## features

- Monolithic structure provides high reliability in a wide temperature and humidity range
- High quality ceramic material and unique manufacturing process provides high Q at high frequency
- Nickel barrier with solder overcoat for excellent solderability
- Products with lead-free terminations meet EU RoHS requirements

## dimensions and construction



Size Code	Dimensions inches (mm)			
	L	W	t	d
<b>1E</b> (0402)	.039±.004 (1.0±0.1)	.02±.004 (0.5±0.1)	.02±.004 (0.5±0.1)	.01±.004 (0.25±0.1)
<b>1J</b> (0603)	.063±.006 (1.6±0.15)	.031±.006 (0.8±0.15)	.031±.006 (0.8±0.15)	.012±.008 (0.3±0.20)

## ordering information

MHL	1E	C	T	TP	3N9	S
Type	Size Code	Material	Termination Material	Packaging	Nominal Inductance	Tolerance
	1E 1J	Permeability Code: C	T: Sn	TP: 7" paper tape 2 mm pitch (1E only - 10,000 pieces/reel) TD: 7" paper tape (1J - 4,000 pieces/reel)	3N9 = 3.9nH R10 = 100nH	S: ±0.3nH J: ±5%

For further information on packaging, please refer to Appendix A.

## applications and ratings

Part Designation	Inductance L (nH)	Inductance Tolerance	Q Minimum (100MHz)	Self Resonant Frequency Typical (MHz)	DC Resistance Maximum (Ω)	Allowable DC Current Maximum (mA)	Operating Temperature Range**	
MHL1ECTTP1N0*	1.0	S: ±0.3nH	8	10000	0.12	300	-55°C to +125°C	
MHL1ECTTP1N2*	1.2							
MHL1ECTTP2N2*	2.2							
MHL1ECTTP3N3*	3.3			4000	6000			0.16
MHL1ECTTP3N9*	3.9							
MHL1ECTTP4N7*	4.7							
MHL1ECTTP5N6*	5.6							

**applications and ratings (continued)**

Part Designation	Inductance L (nH)	Inductance Tolerance	Q Minimum (100MHz)	Self Resonant Frequency Typical (MHz)	DC Resistance Maximum ( $\Omega$ )	Allowable DC Current Maximum (mA)	Operating Temperature Range**						
MHL1ECTTP6N8*	6.8	J: $\pm$ 5%	8	3900	0.32	300	-55°C to +125°C						
MHL1ECTTP8N2*	8.2			3500	0.37								
MHL1ECTTP10N*	10			3200	0.42								
MHL1ECTTP12N*	12			2600	0.50								
MHL1ECTTP15N*	15			2300	0.55								
MHL1ECTTP18N*	18			2000	0.65								
MHL1ECTTP22N*	22			1600	0.8	200							
MHL1ECTTP27N*	27			1400	0.9								
MHL1ECTTP39N*	39			1100	1.2								
MHL1ECTTP47N*	47			900	1.3	100							
MHL1ECTTP56N*	56			750	1.4								
MHL1ECTTP82N*	82			600	1.6	100							
MHL1ECTTPR10*	100			600	2.0								
MHL1JCTTD1N5*	1.5			S: $\pm$ 0.3nH	8	6000		0.10	600	-55°C to +125°C			
MHL1JCTTD1N8*	1.8												
MHL1JCTTD2N2*	2.2												
MHL1JCTTD2N7*	2.7												
MHL1JCTTD3N3*	3.3	10	5200				0.13						
MHL1JCTTD3N9*	3.9		5000				0.15						
MHL1JCTTD4N7*	4.7		4000				0.20						
MHL1JCTTD5N6*	5.6						0.23						
MHL1JCTTD6N8*	6.8	J: $\pm$ 5%	12				3500				0.28	600	-55°C to +125°C
MHL1JCTTD8N2*	8.2						3200				0.30		
MHL1JCTTD10N*	10			2600	0.35								
MHL1JCTTD12N*	12			2300	0.40								
MHL1JCTTD15N*	15			2000	0.45								
MHL1JCTTD18N*	18			1600	0.50								
MHL1JCTTD22N*	22			1400	0.55	500							
MHL1JCTTD27N*	27			1200	0.60								
MHL1JCTTD33N*	33			1100	0.65								
MHL1JCTTD39N*	39			900	0.70								
MHL1JCTTD47N*	47	700	0.80	400									
MHL1JCTTD68N*	68	600	1.0										
MHL1JCTTD82N*	82	600	1.0	300									
MHL1JCTTDR12*	120	500	1.3										
MHL1JCTTDR15*	150	500	1.7	250									
MHL1JCTTDR22*	220	400	2.0										

\*Add tolerance character (S, J)

\*\* The operating temperature range of the coil (ambient temperature + self heating) must remain at +125°C or less

\*\*\* 50MHz