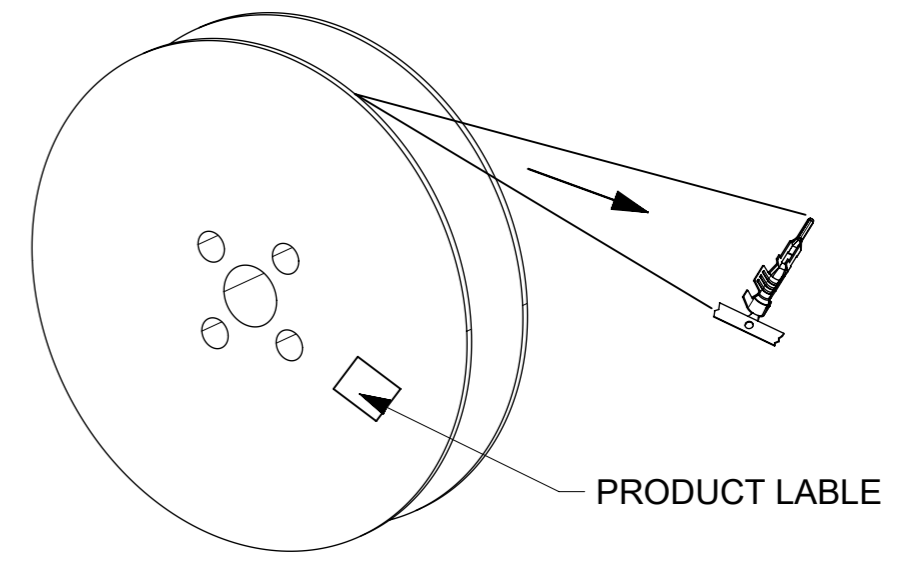
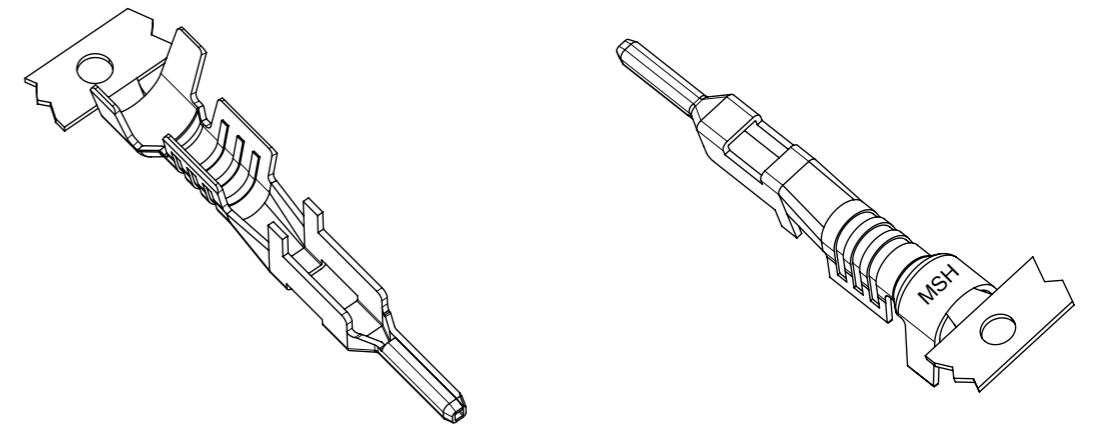
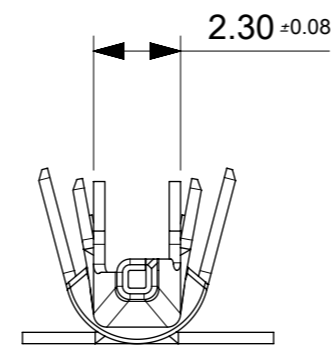
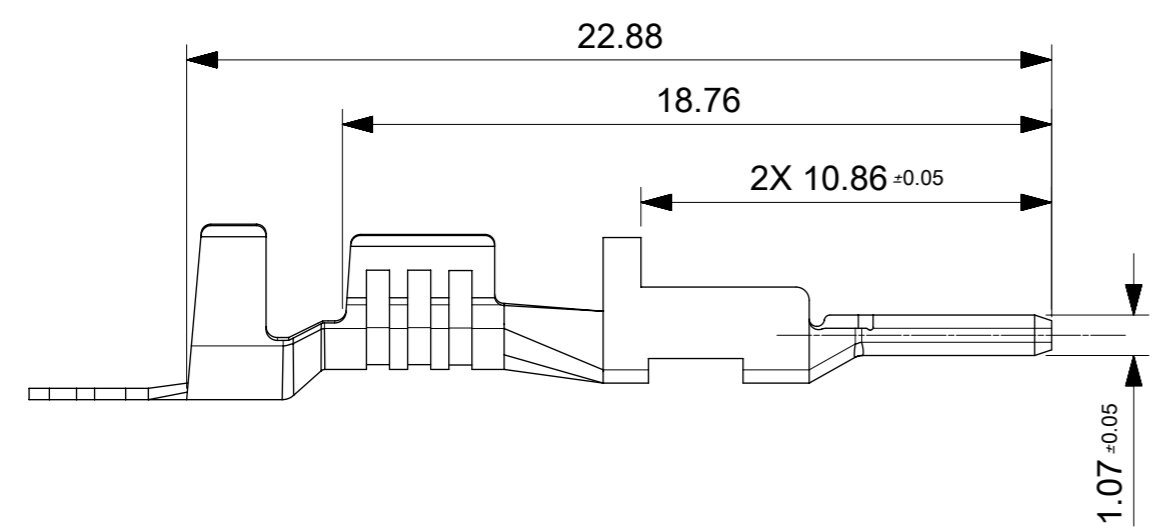
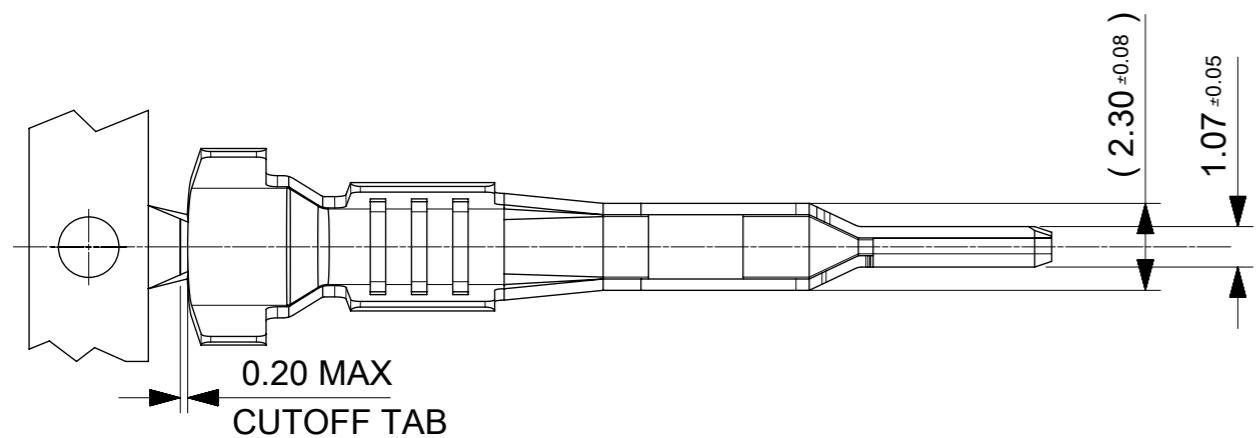


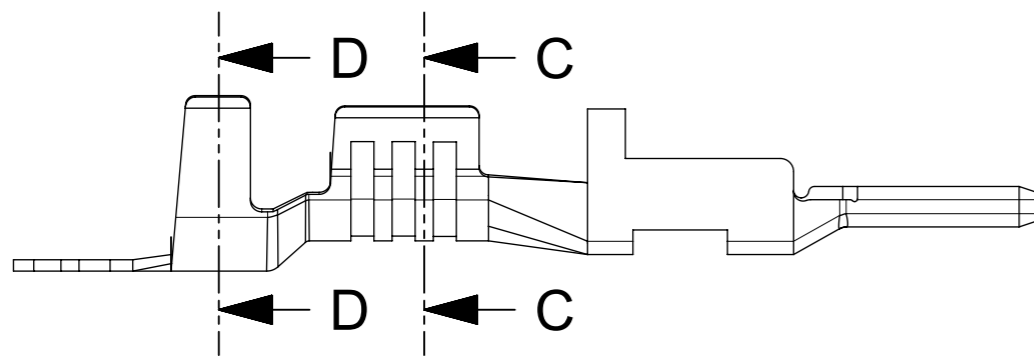
WIRE GAUGE	PART NO.	PLATING OPTION	LUBED
12AWG	105417-0333	HOT DIP TIN PREPLATE-OVERALL	YES
14/16AWG	105417-0334	1.0µm(40µ") MIN	YES
12AWG	105418-0313	15u" GOLD	YES
14/16AWG	105418-0314	0.38µm(15µ") GOLD CONTACT AREA, 1.5µm(60µ")-2.5µm(100µ") MATTE TIN, OVER 1.25µm(50µ")-2.5µm(100µ") NICKEL OVERALL	YES
12AWG	105418-1313	30u" GOLD	YES
14/16AWG	105418-1314	0.76µm(30µ") GOLD CONTACT AREA, 1.5µm(60µ")-2.5µm(100µ") MATTE TIN, OVER 1.25µm(50µ")-2.5µm(100µ") NICKEL OVERALL	YES



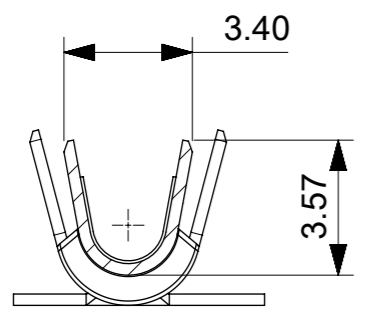
NOTES:

1. MATERIAL: HIGH CONDUCTIVITY COPPER ALLOY.
2. FINISH: SEE CHART.
3. PRODUCT SPECIFICATION: 1054171000-PS.
4. PACKAGING SPECIFICATION: REEL PER 1054170100.
5. TERMINAL USED WITH MOLEX SERIES RECEPTACLE: 105411 AND MATED WITH 76823/172063 FEMALE TERMINALS
6. APPLICATION SPECIFICATION: AS-76823-200

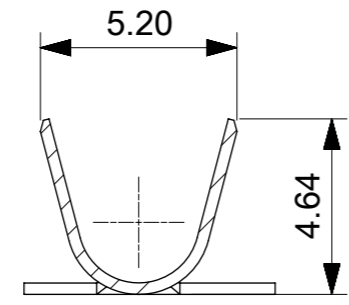
SYMBOLS		THIS DRAWING CONTAINS INFORMATION THAT IS PROPRIETARY TO MOLEX ELECTRONIC TECHNOLOGIES, LLC AND SHOULD NOT BE USED WITHOUT WRITTEN PERMISSION	
DIMENSION UNITS	SCALE	CURRENT REV DESC:	
▽ = 0	mm	molex MALE TML FOR MEGA-FIT 14/16AWG AND 12AWG WIRE	
▽ = 0	GENERAL TOLERANCES (UNLESS SPECIFIED)		
▽ = 0	ANGULAR TOL ± 0.5°		
▽ = 0	4 PLACES ±	EC NO: 624315	2019/10/15
▽ = 0	3 PLACES ±	DRWN: ALUO02	2019/10/29
▽ = 0	2 PLACES ± 0.25	CHK'D: AYIN	2019/10/29
▽ = 0	1 PLACE ± 0.35	APPR: AYIN	
▽ = 0	0 PLACES ±	INITIAL REVISION:	
☒ = 0	DRAFT WHERE APPLICABLE MUST REMAIN WITHIN DIMENSIONS	DRWN: YXZHENG	2016/12/15
▽ = 0		APPR: YXZHENG	2018/08/06
		THIRD ANGLE PROJECTION	DRAWING
		SERIES	MATERIAL NUMBER
		CUSTOMER	SHEET NUMBER
		A3-SIZE	105417
		GENERAL MARKET	1 OF 2



14/16 AWG WIRE STYLES

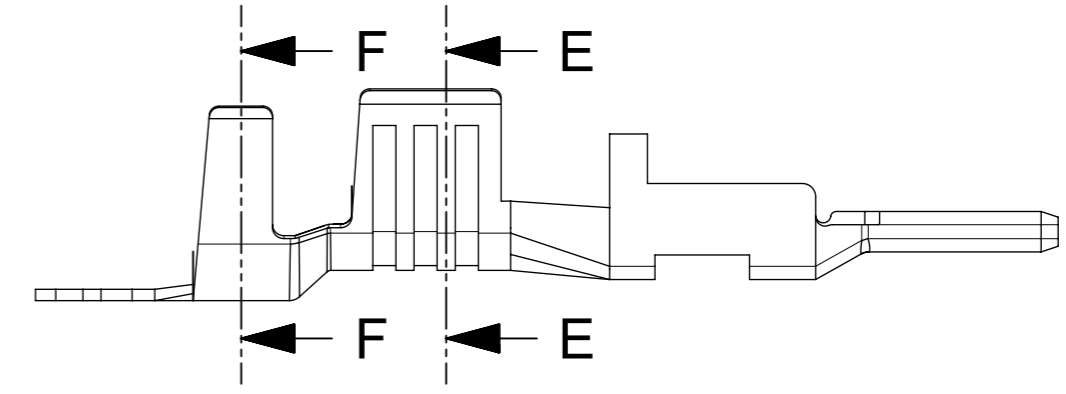


SECTION C-C

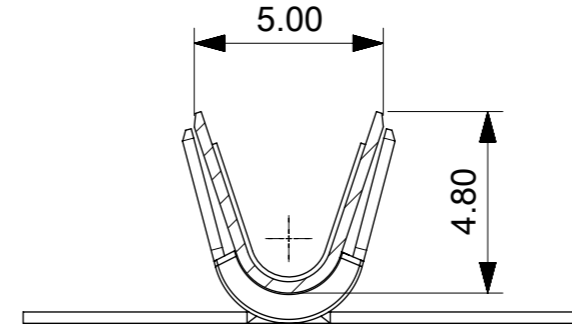


SECTION D-D

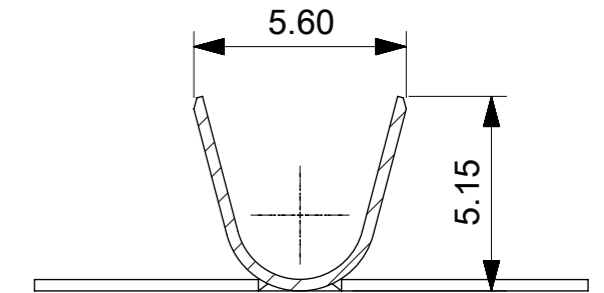
CONDUCTOR AND INSULATION 14/16 AWG WIRE STYLES



12 AWG WIRE STYLES



SECTION E-E



SECTION F-F

CONDUCTOR AND INSULATION 12 AWG WIRE STYLES

SYMBOLS		THIS DRAWING CONTAINS INFORMATION THAT IS PROPRIETARY TO MOLEX ELECTRONIC TECHNOLOGIES, LLC AND SHOULD NOT BE USED WITHOUT WRITTEN PERMISSION		CURRENT REV DESC:		molex		
$\nabla = 0$	DIMENSION UNITS	mm	SCALE	EC NO: 624315		MALE TML FOR MEGA-FIT 14/16AWG AND 12AWG WIRE		
$\nabla = 0$	GENERAL TOLERANCES (UNLESS SPECIFIED)			DRWN: ALUO02	2019/10/15	PRODUCT CUSTOMER DRAWING		
$\nabla = 0$	ANGULAR TOL	$\pm 0.5^\circ$		CHK'D: AYIN	2019/10/29	DOCUMENT NUMBER		
$\nabla = 0$	4 PLACES	\pm		APPR: AYIN	2019/10/29	1054170100		
$\nabla = 0$	3 PLACES	\pm		INITIAL REVISION:		DOC TYPE	DOC PART	REVISION
$\nabla = 0$	2 PLACES	± 0.25		DRWN: YXZHENG	2016/12/15	PSD	000	C
$\nabla = 0$	1 PLACE	± 0.35		APPR: YXZHENG	2018/08/06	SHEET NUMBER		
$\nabla = 0$	0 PLACES	\pm		DRAFT WHERE APPLICABLE MUST REMAIN WITHIN DIMENSIONS		MATERIAL NUMBER	CUSTOMER	
$\nabla = 0$	THIRD ANGLE PROJECTION			DRAWING	SERIES	105417	GENERAL MARKET	2 OF 2
$\nabla = 0$				A3-SIZE				