

KA78XX/KA78XXA

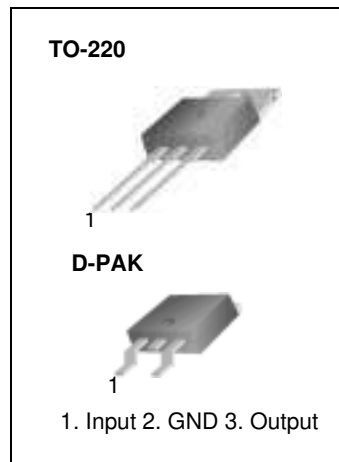
3-Terminal 1A Positive Voltage Regulator

Features

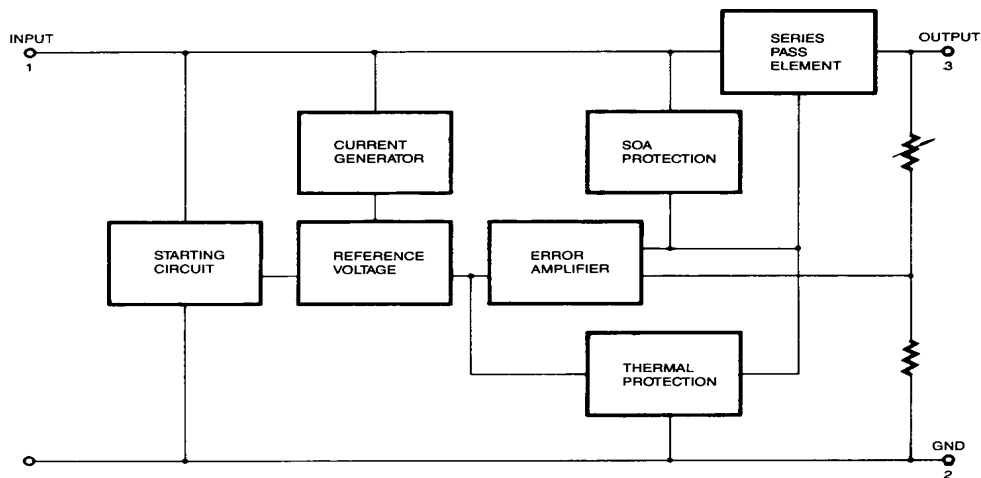
- Output Current up to 1A
- Output Voltages of 5, 6, 8, 9, 10, 12, 15, 18, 24V
- Thermal Overload Protection
- Short Circuit Protection
- Output Transistor Safe Operating Area Protection

Description

The KA78XX/KA78XXA series of three-terminal positive regulator are available in the TO-220/D-PAK package and with several fixed output voltages, making them useful in a wide range of applications. Each type employs internal current limiting, thermal shut down and safe operating area protection, making it essentially indestructible. If adequate heat sinking is provided, they can deliver over 1A output current. Although designed primarily as fixed voltage regulators, these devices can be used with external components to obtain adjustable voltages and currents.



Internal Block Diagram



Absolute Maximum Ratings

| Parameter | Symbol | Value | Unit |
|--|-----------------|------------|---------------|
| Input Voltage (for $V_O = 5V$ to $18V$) (for $V_O = 24V$) | V_I | 35 | V |
| | V_I | 40 | V |
| Thermal Resistance Junction-Cases (TO-220) | $R_{\theta JC}$ | 5 | $^{\circ}C/W$ |
| Thermal Resistance Junction-Air (TO-220) | $R_{\theta JA}$ | 65 | $^{\circ}C/W$ |
| Operating Temperature Range (KA78XX/A/R) | T_{OPR} | 0 ~ +125 | $^{\circ}C$ |
| Storage Temperature Range | T_{STG} | -65 ~ +150 | $^{\circ}C$ |

Electrical Characteristics (KA7805/KA7805R)

(Refer to test circuit, $0^{\circ}C < T_J < 125^{\circ}C$, $I_O = 500mA$, $V_I = 10V$, $C_I = 0.33\mu F$, $C_O = 0.1\mu F$, unless otherwise specified)

| Parameter | Symbol | Conditions | KA7805 | | | Unit | |
|--------------------------|-------------------------|--|--------------------------|------|------|-----------------|----|
| | | | Min. | Typ. | Max. | | |
| Output Voltage | V_O | $T_J = +25^{\circ}C$ | 4.8 | 5.0 | 5.2 | V | |
| | | $5.0mA \leq I_O \leq 1.0A$, $P_O \leq 15W$ $V_I = 7V$ to $20V$ | 4.75 | 5.0 | 5.25 | | |
| Line Regulation (Note1) | Regline | $T_J = +25^{\circ}C$ | $V_O = 7V$ to $25V$ | - | 4.0 | 100 | mV |
| | | | $V_I = 8V$ to $12V$ | - | 1.6 | 50 | |
| Load Regulation (Note1) | Regload | $T_J = +25^{\circ}C$ | $I_O = 5.0mA$ to $1.5A$ | - | 9 | 100 | mV |
| | | | $I_O = 250mA$ to $750mA$ | - | 4 | 50 | |
| Quiescent Current | I_Q | $T_J = +25^{\circ}C$ | - | 5.0 | 8.0 | mA | |
| Quiescent Current Change | ΔI_Q | $I_O = 5mA$ to $1.0A$ | - | 0.03 | 0.5 | mA | |
| | | $V_I = 7V$ to $25V$ | - | 0.3 | 1.3 | | |
| Output Voltage Drift | $\Delta V_O / \Delta T$ | $I_O = 5mA$ | - | -0.8 | - | mV/ $^{\circ}C$ | |
| Output Noise Voltage | V_N | $f = 10Hz$ to $100KHz$, $T_A = +25^{\circ}C$ | - | 42 | - | $\mu V / V_O$ | |
| Ripple Rejection | RR | $f = 120Hz$ $V_O = 8V$ to $18V$ | 62 | 73 | - | dB | |
| Dropout Voltage | V_{Drop} | $I_O = 1A$, $T_J = +25^{\circ}C$ | - | 2 | - | V | |
| Output Resistance | r_O | $f = 1KHz$ | - | 15 | - | m Ω | |
| Short Circuit Current | I_{SC} | $V_I = 35V$, $T_A = +25^{\circ}C$ | - | 230 | - | mA | |
| Peak Current | I_{PK} | $T_J = +25^{\circ}C$ | - | 2.2 | - | A | |

Note:

1. Load and line regulation are specified at constant junction temperature. Changes in V_O due to heating effects must be taken into account separately. Pulse testing with low duty is used.

Electrical Characteristics (KA7806/KA7806R)

(Refer to test circuit , $0^{\circ}\text{C} < T_J < 125^{\circ}\text{C}$, $I_O = 500\text{mA}$, $V_I = 11\text{V}$, $C_I = 0.33\mu\text{F}$, $C_O = 0.1\mu\text{F}$, unless otherwise specified)

| Parameter | Symbol | Conditions | KA7806 | | | Unit | |
|--------------------------|-------------------------|--|---------------------------------------|------|------|---------------------------|----|
| | | | Min. | Typ. | Max. | | |
| Output Voltage | V_O | $T_J = +25^{\circ}\text{C}$ | 5.75 | 6.0 | 6.25 | V | |
| | | $5.0\text{mA} \leq I_O \leq 1.0\text{A}$, $P_O \leq 15\text{W}$ $V_I = 8.0\text{V to } 21\text{V}$ | 5.7 | 6.0 | 6.3 | | |
| Line Regulation (Note1) | Regline | $T_J = +25^{\circ}\text{C}$ | $V_I = 8\text{V to } 25\text{V}$ | - | 5 | 120 | mV |
| | | | $V_I = 9\text{V to } 13\text{V}$ | - | 1.5 | 60 | |
| Load Regulation (Note1) | Regload | $T_J = +25^{\circ}\text{C}$ | $I_O = 5\text{mA to } 1.5\text{A}$ | - | 9 | 120 | mV |
| | | | $I_O = 250\text{mA to } 750\text{mA}$ | - | 3 | 60 | |
| Quiescent Current | I_Q | $T_J = +25^{\circ}\text{C}$ | - | 5.0 | 8.0 | mA | |
| Quiescent Current Change | ΔI_Q | $I_O = 5\text{mA to } 1\text{A}$ | - | - | 0.5 | mA | |
| | | $V_I = 8\text{V to } 25\text{V}$ | - | - | 1.3 | | |
| Output Voltage Drift | $\Delta V_O / \Delta T$ | $I_O = 5\text{mA}$ | - | -0.8 | - | mV/ $^{\circ}\text{C}$ | |
| Output Noise Voltage | V_N | $f = 10\text{Hz to } 100\text{KHz}$, $T_A = +25^{\circ}\text{C}$ | - | 45 | - | $\mu\text{V}/V_O$ | |
| Ripple Rejection | RR | $f = 120\text{Hz}$ $V_I = 9\text{V to } 19\text{V}$ | 59 | 75 | - | dB | |
| Dropout Voltage | V_{Drop} | $I_O = 1\text{A}$, $T_J = +25^{\circ}\text{C}$ | - | 2 | - | V | |
| Output Resistance | r_O | $f = 1\text{KHz}$ | - | 19 | - | $\text{m}\Omega$ | |
| Short Circuit Current | I_{SC} | $V_I = 35\text{V}$, $T_A = +25^{\circ}\text{C}$ | - | 250 | - | mA | |
| Peak Current | I_{PK} | $T_J = +25^{\circ}\text{C}$ | - | 2.2 | - | A | |

Note:

1. Load and line regulation are specified at constant junction temperature. Changes in V_O due to heating effects must be taken into account separately. Pulse testing with low duty is used.

Electrical Characteristics (KA7808/KA7808R)

(Refer to test circuit , $0^{\circ}\text{C} < T_J < 125^{\circ}\text{C}$, $I_O = 500\text{mA}$, $V_I = 14\text{V}$, $C_I = 0.33\mu\text{F}$, $C_O = 0.1\mu\text{F}$, unless otherwise specified)

| Parameter | Symbol | Conditions | KA7808 | | | Unit | |
|--------------------------|-------------------------|---|---------------------------------------|------|------|------------------------|----|
| | | | Min. | Typ. | Max. | | |
| Output Voltage | V_O | $T_J = +25^{\circ}\text{C}$ | 7.7 | 8.0 | 8.3 | V | |
| | | $5.0\text{mA} \leq I_O \leq 1.0\text{A}$, $P_O \leq 15\text{W}$ $V_I = 10.5\text{V to } 23\text{V}$ | 7.6 | 8.0 | 8.4 | | |
| Line Regulation (Note1) | Regline | $T_J = +25^{\circ}\text{C}$ | $V_I = 10.5\text{V to } 25\text{V}$ | - | 5.0 | 160 | mV |
| | | | $V_I = 11.5\text{V to } 17\text{V}$ | - | 2.0 | 80 | |
| Load Regulation (Note1) | Regload | $T_J = +25^{\circ}\text{C}$ | $I_O = 5.0\text{mA to } 1.5\text{A}$ | - | 10 | 160 | mV |
| | | | $I_O = 250\text{mA to } 750\text{mA}$ | - | 5.0 | 80 | |
| Quiescent Current | I_Q | $T_J = +25^{\circ}\text{C}$ | - | 5.0 | 8.0 | mA | |
| Quiescent Current Change | ΔI_Q | $I_O = 5\text{mA to } 1.0\text{A}$ | - | 0.05 | 0.5 | mA | |
| | | $V_I = 10.5\text{V to } 25\text{V}$ | - | 0.5 | 1.0 | | |
| Output Voltage Drift | $\Delta V_O / \Delta T$ | $I_O = 5\text{mA}$ | - | -0.8 | - | mV/ $^{\circ}\text{C}$ | |
| Output Noise Voltage | V_N | $f = 10\text{Hz to } 100\text{KHz}$, $T_A = +25^{\circ}\text{C}$ | - | 52 | - | $\mu\text{V}/V_O$ | |
| Ripple Rejection | RR | $f = 120\text{Hz}$, $V_I = 11.5\text{V to } 21.5\text{V}$ | 56 | 73 | - | dB | |
| Dropout Voltage | V_{Drop} | $I_O = 1\text{A}$, $T_J = +25^{\circ}\text{C}$ | - | 2 | - | V | |
| Output Resistance | r_O | $f = 1\text{KHz}$ | - | 17 | - | $\text{m}\Omega$ | |
| Short Circuit Current | I_{SC} | $V_I = 35\text{V}$, $T_A = +25^{\circ}\text{C}$ | - | 230 | - | mA | |
| Peak Current | I_{PK} | $T_J = +25^{\circ}\text{C}$ | - | 2.2 | - | A | |

Note:

1. Load and line regulation are specified at constant junction temperature. Changes in V_O due to heating effects must be taken into account separately. Pulse testing with low duty is used.

Electrical Characteristics (KA7809/KA7809R)

(Refer to test circuit, $0^{\circ}\text{C} < T_J < 125^{\circ}\text{C}$, $I_O = 500\text{mA}$, $V_I = 15\text{V}$, $C_I = 0.33\mu\text{F}$, $C_O = 0.1\mu\text{F}$, unless otherwise specified)

| Parameter | Symbol | Conditions | KA7809 | | | Unit | |
|--------------------------|-------------------------|---|---------------------------------------|------|------|------------------------|----|
| | | | Min. | Typ. | Max. | | |
| Output Voltage | V_O | $T_J = +25^{\circ}\text{C}$ | 8.65 | 9 | 9.35 | V | |
| | | $5.0\text{mA} \leq I_O \leq 1.0\text{A}$, $P_O \leq 15\text{W}$ $V_I = 11.5\text{V to } 24\text{V}$ | 8.6 | 9 | 9.4 | | |
| Line Regulation (Note1) | Regline | $T_J = +25^{\circ}\text{C}$ | $V_I = 11.5\text{V to } 25\text{V}$ | - | 6 | 180 | mV |
| | | | $V_I = 12\text{V to } 17\text{V}$ | - | 2 | 90 | |
| Load Regulation (Note1) | Regload | $T_J = +25^{\circ}\text{C}$ | $I_O = 5\text{mA to } 1.5\text{A}$ | - | 12 | 180 | mV |
| | | | $I_O = 250\text{mA to } 750\text{mA}$ | - | 4 | 90 | |
| Quiescent Current | I_Q | $T_J = +25^{\circ}\text{C}$ | - | 5.0 | 8.0 | mA | |
| Quiescent Current Change | ΔI_Q | $I_O = 5\text{mA to } 1.0\text{A}$ | - | - | 0.5 | mA | |
| | | $V_I = 11.5\text{V to } 26\text{V}$ | - | - | 1.3 | | |
| Output Voltage Drift | $\Delta V_O / \Delta T$ | $I_O = 5\text{mA}$ | - | -1 | - | mV/ $^{\circ}\text{C}$ | |
| Output Noise Voltage | V_N | $f = 10\text{Hz to } 100\text{kHz}$, $T_A = +25^{\circ}\text{C}$ | - | 58 | - | $\mu\text{V}/V_O$ | |
| Ripple Rejection | RR | $f = 120\text{Hz}$ $V_I = 13\text{V to } 23\text{V}$ | 56 | 71 | - | dB | |
| Dropout Voltage | V_{Drop} | $I_O = 1\text{A}$, $T_J = +25^{\circ}\text{C}$ | - | 2 | - | V | |
| Output Resistance | r_O | $f = 1\text{kHz}$ | - | 17 | - | $\text{m}\Omega$ | |
| Short Circuit Current | I_{SC} | $V_I = 35\text{V}$, $T_A = +25^{\circ}\text{C}$ | - | 250 | - | mA | |
| Peak Current | I_{PK} | $T_J = +25^{\circ}\text{C}$ | - | 2.2 | - | A | |

Note:

1. Load and line regulation are specified at constant junction temperature. Changes in V_O due to heating effects must be taken into account separately. Pulse testing with low duty is used.

Electrical Characteristics (KA7810)

(Refer to test circuit , $0^{\circ}\text{C} < T_J < 125^{\circ}\text{C}$, $I_O = 500\text{mA}$, $V_I = 16\text{V}$, $C_I = 0.33\mu\text{F}$, $C_O = 0.1\mu\text{F}$, unless otherwise specified)

| Parameter | Symbol | Conditions | KA7810 | | | Unit | |
|--------------------------|-------------------------|---|---------------------------------------|------|------|------------------------|----|
| | | | Min. | Typ. | Max. | | |
| Output Voltage | V_O | $T_J = +25^{\circ}\text{C}$ | 9.6 | 10 | 10.4 | V | |
| | | $5.0\text{mA} \leq I_O \leq 1.0\text{A}$, $P_O \leq 15\text{W}$ $V_I = 12.5\text{V to } 25\text{V}$ | 9.5 | 10 | 10.5 | | |
| Line Regulation (Note1) | Regline | $T_J = +25^{\circ}\text{C}$ | $V_I = 12.5\text{V to } 25\text{V}$ | - | 10 | 200 | mV |
| | | | $V_I = 13\text{V to } 25\text{V}$ | - | 3 | 100 | |
| Load Regulation (Note1) | Regload | $T_J = +25^{\circ}\text{C}$ | $I_O = 5\text{mA to } 1.5\text{A}$ | - | 12 | 200 | mV |
| | | | $I_O = 250\text{mA to } 750\text{mA}$ | - | 4 | 400 | |
| Quiescent Current | I_Q | $T_J = +25^{\circ}\text{C}$ | - | 5.1 | 8.0 | mA | |
| Quiescent Current Change | ΔI_Q | $I_O = 5\text{mA to } 1.0\text{A}$ | - | - | 0.5 | mA | |
| | | $V_I = 12.5\text{V to } 29\text{V}$ | - | - | 1.0 | | |
| Output Voltage Drift | $\Delta V_O / \Delta T$ | $I_O = 5\text{mA}$ | - | -1 | - | mV/ $^{\circ}\text{C}$ | |
| Output Noise Voltage | V_N | $f = 10\text{Hz to } 100\text{kHz}$, $T_A = +25^{\circ}\text{C}$ | - | 58 | - | $\mu\text{V}/V_O$ | |
| Ripple Rejection | RR | $f = 120\text{Hz}$ $V_I = 13\text{V to } 23\text{V}$ | 56 | 71 | - | dB | |
| Dropout Voltage | V_{Drop} | $I_O = 1\text{A}$, $T_J = +25^{\circ}\text{C}$ | - | 2 | - | V | |
| Output Resistance | r_O | $f = 1\text{kHz}$ | - | 17 | - | $\text{m}\Omega$ | |
| Short Circuit Current | I_{SC} | $V_I = 35\text{V}$, $T_A = +25^{\circ}\text{C}$ | - | 250 | - | mA | |
| Peak Current | I_{PK} | $T_J = +25^{\circ}\text{C}$ | - | 2.2 | - | A | |

Note:

1. Load and line regulation are specified at constant junction temperature. Changes in V_O due to heating effects must be taken into account separately. Pulse testing with low duty is used.

Electrical Characteristics (KA7812/KA7812R)

(Refer to test circuit , $0^{\circ}\text{C} < T_J < 125^{\circ}\text{C}$, $I_O = 500\text{mA}$, $V_I = 19\text{V}$, $C_I = 0.33\mu\text{F}$, $C_O = 0.1\mu\text{F}$, unless otherwise specified)

| Parameter | Symbol | Conditions | KA7812/KA7812R | | | Unit | |
|--------------------------|-------------------------|---|---------------------------------------|------|------|-------------------|----|
| | | | Min. | Typ. | Max. | | |
| Output Voltage | V_O | $T_J = +25^{\circ}\text{C}$ | 11.5 | 12 | 12.5 | V | |
| | | $5.0\text{mA} \leq I_O \leq 1.0\text{A}$, $P_O \leq 15\text{W}$ $V_I = 14.5\text{V to } 27\text{V}$ | 11.4 | 12 | 12.6 | | |
| Line Regulation (Note1) | Regline | $T_J = +25^{\circ}\text{C}$ | $V_I = 14.5\text{V to } 30\text{V}$ | - | 10 | 240 | mV |
| | | | $V_I = 16\text{V to } 22\text{V}$ | - | 3.0 | 120 | |
| Load Regulation (Note1) | Regload | $T_J = +25^{\circ}\text{C}$ | $I_O = 5\text{mA to } 1.5\text{A}$ | - | 11 | 240 | mV |
| | | | $I_O = 250\text{mA to } 750\text{mA}$ | - | 5.0 | 120 | |
| Quiescent Current | I_Q | $T_J = +25^{\circ}\text{C}$ | - | 5.1 | 8.0 | mA | |
| Quiescent Current Change | ΔI_Q | $I_O = 5\text{mA to } 1.0\text{A}$ | - | 0.1 | 0.5 | mA | |
| | | $V_I = 14.5\text{V to } 30\text{V}$ | - | 0.5 | 1.0 | | |
| Output Voltage Drift | $\Delta V_O / \Delta T$ | $I_O = 5\text{mA}$ | - | -1 | - | mV/°C | |
| Output Noise Voltage | V_N | $f = 10\text{Hz to } 100\text{kHz}$, $T_A = +25^{\circ}\text{C}$ | - | 76 | - | $\mu\text{V}/V_O$ | |
| Ripple Rejection | RR | $f = 120\text{Hz}$ $V_I = 15\text{V to } 25\text{V}$ | 55 | 71 | - | dB | |
| Dropout Voltage | V_{Drop} | $I_O = 1\text{A}$, $T_J = +25^{\circ}\text{C}$ | - | 2 | - | V | |
| Output Resistance | r_O | $f = 1\text{kHz}$ | - | 18 | - | m Ω | |
| Short Circuit Current | I_{SC} | $V_I = 35\text{V}$, $T_A = +25^{\circ}\text{C}$ | - | 230 | - | mA | |
| Peak Current | I_{PK} | $T_J = +25^{\circ}\text{C}$ | - | 2.2 | - | A | |

Note:

1. Load and line regulation are specified at constant junction temperature. Changes in V_O due to heating effects must be taken into account separately. Pulse testing with low duty is used.

Electrical Characteristics (KA7815)

(Refer to test circuit , $0^{\circ}\text{C} < T_J < 125^{\circ}\text{C}$, $I_O = 500\text{mA}$, $V_I = 23\text{V}$, $C_I = 0.33\mu\text{F}$, $C_O = 0.1\mu\text{F}$, unless otherwise specified)

| Parameter | Symbol | Conditions | KA7815 | | | Unit | |
|--------------------------|---------------------|--|---------------------------------|------|-------|-------------------|----|
| | | | Min. | Typ. | Max. | | |
| Output Voltage | V _O | T _J = +25 °C | 14.4 | 15 | 15.6 | V | |
| | | 5.0mA ≤ I _O ≤ 1.0A, P _O ≤ 15W V _I = 17.5V to 30V | 14.25 | 15 | 15.75 | | |
| Line Regulation (Note1) | Regline | T _J = +25 °C | V _I = 17.5V to 30V | - | 11 | 300 | mV |
| | | | V _I = 20V to 26V | - | 3 | 150 | |
| Load Regulation (Note1) | Regload | T _J = +25 °C | I _O = 5mA to 1.5A | - | 12 | 300 | mV |
| | | | I _O = 250mA to 750mA | - | 4 | 150 | |
| Quiescent Current | I _Q | T _J = +25 °C | - | 5.2 | 8.0 | mA | |
| Quiescent Current Change | ΔI _Q | I _O = 5mA to 1.0A | - | - | 0.5 | mA | |
| | | V _I = 17.5V to 30V | - | - | 1.0 | | |
| Output Voltage Drift | ΔV _O /ΔT | I _O = 5mA | - | -1 | - | mV/°C | |
| Output Noise Voltage | V _N | f = 10Hz to 100KHz, T _A = +25 °C | - | 90 | - | μV/V _O | |
| Ripple Rejection | RR | f = 120Hz V _I = 18.5V to 28.5V | 54 | 70 | - | dB | |
| Dropout Voltage | V _{Drop} | I _O = 1A, T _J = +25 °C | - | 2 | - | V | |
| Output Resistance | r _O | f = 1KHz | - | 19 | - | mΩ | |
| Short Circuit Current | I _{SC} | V _I = 35V, T _A = +25 °C | - | 250 | - | mA | |
| Peak Current | I _{PK} | T _J = +25 °C | - | 2.2 | - | A | |

Note:

1. Load and line regulation are specified at constant junction temperature. Changes in V_O due to heating effects must be taken into account separately. Pulse testing with low duty is used.

Electrical Characteristics (KA7818)

(Refer to test circuit, $0^{\circ}\text{C} < T_J < 125^{\circ}\text{C}$, $I_O = 500\text{mA}$, $V_I = 27\text{V}$, $C_I = 0.33\mu\text{F}$, $C_O = 0.1\mu\text{F}$, unless otherwise specified)

| Parameter | Symbol | Conditions | KA7818 | | | Unit | |
|--------------------------|-------------------------|---|---------------------------------------|------|------|------------------------|----|
| | | | Min. | Typ. | Max. | | |
| Output Voltage | V_O | $T_J = +25^{\circ}\text{C}$ | 17.3 | 18 | 18.7 | V | |
| | | $5.0\text{mA} \leq I_O \leq 1.0\text{A}$, $P_O \leq 15\text{W}$ $V_I = 21\text{V to } 33\text{V}$ | 17.1 | 18 | 18.9 | | |
| Line Regulation (Note1) | Regline | $T_J = +25^{\circ}\text{C}$ | $V_I = 21\text{V to } 33\text{V}$ | - | 15 | 360 | mV |
| | | | $V_I = 24\text{V to } 30\text{V}$ | - | 5 | 180 | |
| Load Regulation (Note1) | Regload | $T_J = +25^{\circ}\text{C}$ | $I_O = 5\text{mA to } 1.5\text{A}$ | - | 15 | 360 | mV |
| | | | $I_O = 250\text{mA to } 750\text{mA}$ | - | 5.0 | 180 | |
| Quiescent Current | I_Q | $T_J = +25^{\circ}\text{C}$ | - | 5.2 | 8.0 | mA | |
| Quiescent Current Change | ΔI_Q | $I_O = 5\text{mA to } 1.0\text{A}$ | - | - | 0.5 | mA | |
| | | $V_I = 21\text{V to } 33\text{V}$ | - | - | 1 | | |
| Output Voltage Drift | $\Delta V_O / \Delta T$ | $I_O = 5\text{mA}$ | - | -1 | - | mV/ $^{\circ}\text{C}$ | |
| Output Noise Voltage | V_N | $f = 10\text{Hz to } 100\text{kHz}$, $T_A = +25^{\circ}\text{C}$ | - | 110 | - | $\mu\text{V}/V_O$ | |
| Ripple Rejection | RR | $f = 120\text{Hz}$ $V_I = 22\text{V to } 32\text{V}$ | 53 | 69 | - | dB | |
| Dropout Voltage | V_{Drop} | $I_O = 1\text{A}$, $T_J = +25^{\circ}\text{C}$ | - | 2 | - | V | |
| Output Resistance | r_O | $f = 1\text{kHz}$ | - | 22 | - | $\text{m}\Omega$ | |
| Short Circuit Current | I_{SC} | $V_I = 35\text{V}$, $T_A = +25^{\circ}\text{C}$ | - | 250 | - | mA | |
| Peak Current | I_{PK} | $T_J = +25^{\circ}\text{C}$ | - | 2.2 | - | A | |

Note:

1. Load and line regulation are specified at constant junction temperature. Changes in V_O due to heating effects must be taken into account separately. Pulse testing with low duty is used.

Electrical Characteristics (KA7824)

(Refer to test circuit, $0^{\circ}\text{C} < T_J < 125^{\circ}\text{C}$, $I_O = 500\text{mA}$, $V_I = 33\text{V}$, $C_I = 0.33\mu\text{F}$, $C_O = 0.1\mu\text{F}$, unless otherwise specified)

| Parameter | Symbol | Conditions | KA7824 | | | Unit | |
|--------------------------|-------------------------|---|---------------------------------------|------|-------|---------------------------|----|
| | | | Min. | Typ. | Max. | | |
| Output Voltage | V_O | $T_J = +25^{\circ}\text{C}$ | 23 | 24 | 25 | V | |
| | | $5.0\text{mA} \leq I_O \leq 1.0\text{A}$, $P_O \leq 15\text{W}$ $V_I = 27\text{V to } 38\text{V}$ | 22.8 | 24 | 25.25 | | |
| Line Regulation (Note1) | Regline | $T_J = +25^{\circ}\text{C}$ | $V_I = 27\text{V to } 38\text{V}$ | - | 17 | 480 | mV |
| | | | $V_I = 30\text{V to } 36\text{V}$ | - | 6 | 240 | |
| Load Regulation (Note1) | Regload | $T_J = +25^{\circ}\text{C}$ | $I_O = 5\text{mA to } 1.5\text{A}$ | - | 15 | 480 | mV |
| | | | $I_O = 250\text{mA to } 750\text{mA}$ | - | 5.0 | 240 | |
| Quiescent Current | I_Q | $T_J = +25^{\circ}\text{C}$ | - | 5.2 | 8.0 | mA | |
| Quiescent Current Change | ΔI_Q | $I_O = 5\text{mA to } 1.0\text{A}$ | - | 0.1 | 0.5 | mA | |
| | | $V_I = 27\text{V to } 38\text{V}$ | - | 0.5 | 1 | | |
| Output Voltage Drift | $\Delta V_O / \Delta T$ | $I_O = 5\text{mA}$ | - | -1.5 | - | mV/ $^{\circ}\text{C}$ | |
| Output Noise Voltage | V_N | $f = 10\text{Hz to } 100\text{KHz}$, $T_A = +25^{\circ}\text{C}$ | - | 60 | - | $\mu\text{V}/V_O$ | |
| Ripple Rejection | RR | $f = 120\text{Hz}$ $V_I = 28\text{V to } 38\text{V}$ | 50 | 67 | - | dB | |
| Dropout Voltage | V_{Drop} | $I_O = 1\text{A}$, $T_J = +25^{\circ}\text{C}$ | - | 2 | - | V | |
| Output Resistance | r_O | $f = 1\text{KHz}$ | - | 28 | - | $\text{m}\Omega$ | |
| Short Circuit Current | I_{SC} | $V_I = 35\text{V}$, $T_A = +25^{\circ}\text{C}$ | - | 230 | - | mA | |
| Peak Current | I_{PK} | $T_J = +25^{\circ}\text{C}$ | - | 2.2 | - | A | |

Note:

1. Load and line regulation are specified at constant junction temperature. Changes in V_O due to heating effects must be taken into account separately. Pulse testing with low duty is used.

Electrical Characteristics (KA7805A)

(Refer to the test circuits. $0^{\circ}\text{C} < T_J < +125^{\circ}\text{C}$, $I_O = 1\text{A}$, $V_I = 10\text{V}$, $C_I = 0.33\mu\text{F}$, $C_O = 0.1\mu\text{F}$, unless otherwise specified)

| Parameter | Symbol | Conditions | Min. | Typ. | Max. | Unit |
|--------------------------|---------------------|--|------------------------------------|------|------|------------------------|
| Output Voltage | V_O | $T_J = +25^{\circ}\text{C}$ | 4.9 | 5 | 5.1 | V |
| | | $I_O = 5\text{mA to } 1\text{A}$, $P_O \leq 15\text{W}$ $V_I = 7.5\text{V to } 20\text{V}$ | 4.8 | 5 | 5.2 | |
| Line Regulation (Note1) | Regline | $V_I = 7.5\text{V to } 25\text{V}$ $I_O = 500\text{mA}$ | - | 5 | 50 | mV |
| | | $V_I = 8\text{V to } 12\text{V}$ | - | 3 | 50 | |
| | | $T_J = +25^{\circ}\text{C}$ | $V_I = 7.3\text{V to } 20\text{V}$ | - | 5 | |
| | | $V_I = 8\text{V to } 12\text{V}$ | - | 1.5 | 25 | |
| Load Regulation (Note1) | Regload | $T_J = +25^{\circ}\text{C}$ $I_O = 5\text{mA to } 1.5\text{A}$ | - | 9 | 100 | mV |
| | | $I_O = 5\text{mA to } 1\text{A}$ | - | 9 | 100 | |
| | | $I_O = 250\text{mA to } 750\text{mA}$ | - | 4 | 50 | |
| Quiescent Current | I_Q | $T_J = +25^{\circ}\text{C}$ | - | 5.0 | 6.0 | mA |
| Quiescent Current Change | ΔI_Q | $I_O = 5\text{mA to } 1\text{A}$ | - | - | 0.5 | mA |
| | | $V_I = 8\text{V to } 25\text{V}$, $I_O = 500\text{mA}$ | - | - | 0.8 | |
| | | $V_I = 7.5\text{V to } 20\text{V}$, $T_J = +25^{\circ}\text{C}$ | - | - | 0.8 | |
| Output Voltage Drift | $\Delta V/\Delta T$ | $I_O = 5\text{mA}$ | - | -0.8 | - | mV/ $^{\circ}\text{C}$ |
| Output Noise Voltage | V_N | $f = 10\text{Hz to } 100\text{KHz}$ $T_A = +25^{\circ}\text{C}$ | - | 10 | - | $\mu\text{V}/V_O$ |
| Ripple Rejection | RR | $f = 120\text{Hz}$, $I_O = 500\text{mA}$ $V_I = 8\text{V to } 18\text{V}$ | - | 68 | - | dB |
| Dropout Voltage | V_{Drop} | $I_O = 1\text{A}$, $T_J = +25^{\circ}\text{C}$ | - | 2 | - | V |
| Output Resistance | r_O | $f = 1\text{KHz}$ | - | 17 | - | $\text{m}\Omega$ |
| Short Circuit Current | I_{SC} | $V_I = 35\text{V}$, $T_A = +25^{\circ}\text{C}$ | - | 250 | - | mA |
| Peak Current | I_{PK} | $T_J = +25^{\circ}\text{C}$ | - | 2.2 | - | A |

Note:

1. Load and line regulation are specified at constant junction temperature. Change in V_O due to heating effects must be taken into account separately. Pulse testing with low duty is used.

Electrical Characteristics (KA7806A)

(Refer to the test circuits. $0^{\circ}\text{C} < T_J < +125^{\circ}\text{C}$, $I_O = 1\text{A}$, $V_I = 11\text{V}$, $C_I = 0.33\mu\text{F}$, $C_O = 0.1\mu\text{F}$, unless otherwise specified)

| Parameter | Symbol | Conditions | Min. | Typ. | Max. | Unit | |
|--------------------------|---------------------|---|----------------------------|------|------|------------------------|----|
| Output Voltage | V_O | $T_J = +25^{\circ}\text{C}$ | 5.58 | 6 | 6.12 | V | |
| | | $I_O = 5\text{mA}$ to 1A, $P_O \leq 15\text{W}$ $V_I = 8.6\text{V}$ to 21V | 5.76 | 6 | 6.24 | | |
| Line Regulation (Note1) | Regline | $V_I = 8.6\text{V}$ to 25V $I_O = 500\text{mA}$ | - | 5 | 60 | mV | |
| | | $V_I = 9\text{V}$ to 13V | - | 3 | 60 | | |
| | | $T_J = +25^{\circ}\text{C}$ | $V_I = 8.3\text{V}$ to 21V | - | 5 | | 60 |
| | | | $V_I = 9\text{V}$ to 13V | - | 1.5 | | 30 |
| Load Regulation (Note1) | Regload | $T_J = +25^{\circ}\text{C}$ $I_O = 5\text{mA}$ to 1.5A | - | 9 | 100 | mV | |
| | | $I_O = 5\text{mA}$ to 1A | - | 4 | 100 | | |
| | | $I_O = 250\text{mA}$ to 750mA | - | 5.0 | 50 | | |
| Quiescent Current | I_Q | $T_J = +25^{\circ}\text{C}$ | - | 4.3 | 6.0 | mA | |
| Quiescent Current Change | ΔI_Q | $I_O = 5\text{mA}$ to 1A | - | - | 0.5 | mA | |
| | | $V_I = 9\text{V}$ to 25V, $I_O = 500\text{mA}$ | - | - | 0.8 | | |
| | | $V_I = 8.5\text{V}$ to 21V, $T_J = +25^{\circ}\text{C}$ | - | - | 0.8 | | |
| Output Voltage Drift | $\Delta V/\Delta T$ | $I_O = 5\text{mA}$ | - | -0.8 | - | mV/ $^{\circ}\text{C}$ | |
| Output Noise Voltage | V_N | $f = 10\text{Hz}$ to 100KHz $T_A = +25^{\circ}\text{C}$ | - | 10 | - | $\mu\text{V}/V_O$ | |
| Ripple Rejection | RR | $f = 120\text{Hz}$, $I_O = 500\text{mA}$ $V_I = 9\text{V}$ to 19V | - | 65 | - | dB | |
| Dropout Voltage | V_{Drop} | $I_O = 1\text{A}$, $T_J = +25^{\circ}\text{C}$ | - | 2 | - | V | |
| Output Resistance | r_O | $f = 1\text{KHz}$ | - | 17 | - | $\text{m}\Omega$ | |
| Short Circuit Current | I_{SC} | $V_I = 35\text{V}$, $T_A = +25^{\circ}\text{C}$ | - | 250 | - | mA | |
| Peak Current | I_{PK} | $T_J = +25^{\circ}\text{C}$ | - | 2.2 | - | A | |

Note:

1. Load and line regulation are specified at constant junction temperature. Change in V_O due to heating effects must be taken into account separately. Pulse testing with low duty is used.

Electrical Characteristics (KA7808A)

(Refer to the test circuits. $0^{\circ}\text{C} < T_J < +125^{\circ}\text{C}$, $I_O = 1\text{A}$, $V_I = 14\text{V}$, $C_I = 0.33\mu\text{F}$, $C_O = 0.1\mu\text{F}$, unless otherwise specified)

| Parameter | Symbol | Conditions | Min. | Typ. | Max. | Unit | |
|--------------------------|---------------------|---|--------------------------------------|------|------|------------------------|----|
| Output Voltage | V_O | $T_J = +25^{\circ}\text{C}$ | 7.84 | 8 | 8.16 | V | |
| | | $I_O = 5\text{mA}$ to 1A , $P_O \leq 15\text{W}$ $V_I = 10.6\text{V}$ to 23V | 7.7 | 8 | 8.3 | | |
| Line Regulation (Note1) | Regline | $V_I = 10.6\text{V}$ to 25V $I_O = 500\text{mA}$ | - | 6 | 80 | mV | |
| | | $V_I = 11\text{V}$ to 17V | - | 3 | 80 | | |
| | | $T_J = +25^{\circ}\text{C}$ | $V_I = 10.4\text{V}$ to 23V | - | 6 | | 80 |
| | | | $V_I = 11\text{V}$ to 17V | - | 2 | | 40 |
| Load Regulation (Note1) | Regload | $T_J = +25^{\circ}\text{C}$ $I_O = 5\text{mA}$ to 1.5A | - | 12 | 100 | mV | |
| | | $I_O = 5\text{mA}$ to 1A | - | 12 | 100 | | |
| | | $I_O = 250\text{mA}$ to 750mA | - | 5 | 50 | | |
| Quiescent Current | I_Q | $T_J = +25^{\circ}\text{C}$ | - | 5.0 | 6.0 | mA | |
| Quiescent Current Change | ΔI_Q | $I_O = 5\text{mA}$ to 1A | - | - | 0.5 | mA | |
| | | $V_I = 11\text{V}$ to 25V , $I_O = 500\text{mA}$ | - | - | 0.8 | | |
| | | $V_I = 10.6\text{V}$ to 23V , $T_J = +25^{\circ}\text{C}$ | - | - | 0.8 | | |
| Output Voltage Drift | $\Delta V/\Delta T$ | $I_O = 5\text{mA}$ | - | -0.8 | - | mV/ $^{\circ}\text{C}$ | |
| Output Noise Voltage | V_N | $f = 10\text{Hz}$ to 100KHz $T_A = +25^{\circ}\text{C}$ | - | 10 | - | $\mu\text{V}/V_O$ | |
| Ripple Rejection | RR | $f = 120\text{Hz}$, $I_O = 500\text{mA}$ $V_I = 11.5\text{V}$ to 21.5V | - | 62 | - | dB | |
| Dropout Voltage | V_{Drop} | $I_O = 1\text{A}$, $T_J = +25^{\circ}\text{C}$ | - | 2 | - | V | |
| Output Resistance | r_O | $f = 1\text{KHz}$ | - | 18 | - | $\text{m}\Omega$ | |
| Short Circuit Current | I_{SC} | $V_I = 35\text{V}$, $T_A = +25^{\circ}\text{C}$ | - | 250 | - | mA | |
| Peak Current | I_{PK} | $T_J = +25^{\circ}\text{C}$ | - | 2.2 | - | A | |

Note:

1. Load and line regulation are specified at constant junction temperature. Change in V_O due to heating effects must be taken into account separately. Pulse testing with low duty is used.

Electrical Characteristics (KA7809A)

(Refer to the test circuits. $0^{\circ}\text{C} < T_J < +125^{\circ}\text{C}$, $I_O = 1\text{A}$, $V_I = 15\text{V}$, $C_I = 0.33\mu\text{F}$, $C_O = 0.1\mu\text{F}$, unless otherwise specified)

| Parameter | Symbol | Conditions | Min. | Typ. | Max. | Unit | |
|--------------------------|---------------------|--|-----------------------------|------|------|------------------------|----|
| Output Voltage | V_O | $T_J = +25^{\circ}\text{C}$ | 8.82 | 9.0 | 9.18 | V | |
| | | $I_O = 5\text{mA}$ to 1A, $P_O \leq 15\text{W}$ $V_I = 11.2\text{V}$ to 24V | 8.65 | 9.0 | 9.35 | | |
| Line Regulation (Note1) | Regline | $V_I = 11.7\text{V}$ to 25V $I_O = 500\text{mA}$ | - | 6 | 90 | mV | |
| | | $V_I = 12.5\text{V}$ to 19V | - | 4 | 45 | | |
| | | $T_J = +25^{\circ}\text{C}$ | $V_I = 11.5\text{V}$ to 24V | - | 6 | | 90 |
| | | | $V_I = 12.5\text{V}$ to 19V | - | 2 | | 45 |
| Load Regulation (Note1) | Regload | $T_J = +25^{\circ}\text{C}$ $I_O = 5\text{mA}$ to 1.0A | - | 12 | 100 | mV | |
| | | $I_O = 5\text{mA}$ to 1.0A | - | 12 | 100 | | |
| | | $I_O = 250\text{mA}$ to 750mA | - | 5 | 50 | | |
| Quiescent Current | I_Q | $T_J = +25^{\circ}\text{C}$ | - | 5.0 | 6.0 | mA | |
| Quiescent Current Change | ΔI_Q | $V_I = 11.7\text{V}$ to 25V, $T_J = +25^{\circ}\text{C}$ | - | - | 0.8 | mA | |
| | | $V_I = 12\text{V}$ to 25V, $I_O = 500\text{mA}$ | - | - | 0.8 | | |
| | | $I_O = 5\text{mA}$ to 1.0A | - | - | 0.5 | | |
| Output Voltage Drift | $\Delta V/\Delta T$ | $I_O = 5\text{mA}$ | - | -1.0 | - | mV/ $^{\circ}\text{C}$ | |
| Output Noise Voltage | V_N | $f = 10\text{Hz}$ to 100KHz $T_A = +25^{\circ}\text{C}$ | - | 10 | - | $\mu\text{V}/V_O$ | |
| Ripple Rejection | RR | $f = 120\text{Hz}$, $I_O = 500\text{mA}$ $V_I = 12\text{V}$ to 22V | - | 62 | - | dB | |
| Dropout Voltage | V_{Drop} | $I_O = 1\text{A}$, $T_J = +25^{\circ}\text{C}$ | - | 2.0 | - | V | |
| Output Resistance | r_O | $f = 1\text{KHz}$ | - | 17 | - | $\text{m}\Omega$ | |
| Short Circuit Current | I_{SC} | $V_I = 35\text{V}$, $T_A = +25^{\circ}\text{C}$ | - | 250 | - | mA | |
| Peak Current | I_{PK} | $T_J = +25^{\circ}\text{C}$ | - | 2.2 | - | A | |

Note:

1. Load and line regulation are specified at constant junction temperature. Change in V_O due to heating effects must be taken into account separately. Pulse testing with low duty is used.

Electrical Characteristics (KA7810A)

(Refer to the test circuits. $0^{\circ}\text{C} < T_J < +125^{\circ}\text{C}$, $I_O = 1\text{A}$, $V_I = 16\text{V}$, $C_I = 0.33\mu\text{F}$, $C_O = 0.1\mu\text{F}$, unless otherwise specified)

| Parameter | Symbol | Conditions | Min. | Typ. | Max. | Unit | |
|--------------------------|---------------------|---|-------------------------------------|------|------|------------------------------|-----|
| Output Voltage | V_O | $T_J = +25^{\circ}\text{C}$ | 9.8 | 10 | 10.2 | V | |
| | | $I_O = 5\text{mA to } 1\text{A}$, $P_O \leq 15\text{W}$ $V_I = 12.8\text{V to } 25\text{V}$ | 9.6 | 10 | 10.4 | | |
| Line Regulation (Note1) | Regline | $V_I = 12.8\text{V to } 26\text{V}$ $I_O = 500\text{mA}$ | - | 8 | 100 | mV | |
| | | $V_I = 13\text{V to } 20\text{V}$ | - | 4 | 50 | | |
| | | $T_J = +25^{\circ}\text{C}$ | $V_I = 12.5\text{V to } 25\text{V}$ | - | 8 | | 100 |
| | | | $V_I = 13\text{V to } 20\text{V}$ | - | 3 | | 50 |
| Load Regulation (Note1) | Regload | $T_J = +25^{\circ}\text{C}$ $I_O = 5\text{mA to } 1.5\text{A}$ | - | 12 | 100 | mV | |
| | | $I_O = 5\text{mA to } 1.0\text{A}$ | - | 12 | 100 | | |
| | | $I_O = 250\text{mA to } 750\text{mA}$ | - | 5 | 50 | | |
| Quiescent Current | I_Q | $T_J = +25^{\circ}\text{C}$ | - | 5.0 | 6.0 | mA | |
| Quiescent Current Change | ΔI_Q | $V_I = 13\text{V to } 26\text{V}$, $T_J = +25^{\circ}\text{C}$ | - | - | 0.5 | mA | |
| | | $V_I = 12.8\text{V to } 25\text{V}$, $I_O = 500\text{mA}$ | - | - | 0.8 | | |
| | | $I_O = 5\text{mA to } 1.0\text{A}$ | - | - | 0.5 | | |
| Output Voltage Drift | $\Delta V/\Delta T$ | $I_O = 5\text{mA}$ | - | -1.0 | - | $\text{mV}/^{\circ}\text{C}$ | |
| Output Noise Voltage | V_N | $f = 10\text{Hz to } 100\text{KHz}$ $T_A = +25^{\circ}\text{C}$ | - | 10 | - | $\mu\text{V}/V_O$ | |
| Ripple Rejection | RR | $f = 120\text{Hz}$, $I_O = 500\text{mA}$ $V_I = 14\text{V to } 24\text{V}$ | - | 62 | - | dB | |
| Dropout Voltage | V_{Drop} | $I_O = 1\text{A}$, $T_J = +25^{\circ}\text{C}$ | - | 2.0 | - | V | |
| Output Resistance | r_O | $f = 1\text{KHz}$ | - | 17 | - | $\text{m}\Omega$ | |
| Short Circuit Current | ISC | $V_I = 35\text{V}$, $T_A = +25^{\circ}\text{C}$ | - | 250 | - | mA | |
| Peak Current | IPK | $T_J = +25^{\circ}\text{C}$ | - | 2.2 | - | A | |

Note:

1. Load and line regulation are specified at constant junction temperature. Change in V_O due to heating effects must be taken into account separately. Pulse testing with low duty is used.

Electrical Characteristics (KA7812A)

(Refer to the test circuits. $0^{\circ}\text{C} < T_J < +125^{\circ}\text{C}$, $I_O = 1\text{A}$, $V_I = 19\text{V}$, $C_I = 0.33\mu\text{F}$, $C_O = 0.1\mu\text{F}$, unless otherwise specified)

| Parameter | Symbol | Conditions | Min. | Typ. | Max. | Unit | |
|--------------------------|---------------------|---|--------------------------------------|------|-------|------------------------------|-----|
| Output Voltage | V_O | $T_J = +25^{\circ}\text{C}$ | 11.75 | 12 | 12.25 | V | |
| | | $I_O = 5\text{mA}$ to 1A , $P_O \leq 15\text{W}$ $V_I = 14.8\text{V}$ to 27V | 11.5 | 12 | 12.5 | | |
| Line Regulation (Note1) | Regline | $V_I = 14.8\text{V}$ to 30V $I_O = 500\text{mA}$ | - | 10 | 120 | mV | |
| | | $V_I = 16\text{V}$ to 22V | - | 4 | 120 | | |
| | | $T_J = +25^{\circ}\text{C}$ | $V_I = 14.5\text{V}$ to 27V | - | 10 | | 120 |
| | | | $V_I = 16\text{V}$ to 22V | - | 3 | | 60 |
| Load Regulation (Note1) | Regload | $T_J = +25^{\circ}\text{C}$ $I_O = 5\text{mA}$ to 1.5A | - | 12 | 100 | mV | |
| | | $I_O = 5\text{mA}$ to 1.0A | - | 12 | 100 | | |
| | | $I_O = 250\text{mA}$ to 750mA | - | 5 | 50 | | |
| Quiescent Current | I_Q | $T_J = +25^{\circ}\text{C}$ | - | 5.1 | 6.0 | mA | |
| Quiescent Current Change | ΔI_Q | $V_I = 15\text{V}$ to 30V , $T_J = +25^{\circ}\text{C}$ | - | | 0.8 | mA | |
| | | $V_I = 14\text{V}$ to 27V , $I_O = 500\text{mA}$ | - | | 0.8 | | |
| | | $I_O = 5\text{mA}$ to 1.0A | - | | 0.5 | | |
| Output Voltage Drift | $\Delta V/\Delta T$ | $I_O = 5\text{mA}$ | - | -1.0 | - | $\text{mV}/^{\circ}\text{C}$ | |
| Output Noise Voltage | V_N | $f = 10\text{Hz}$ to 100KHz $T_A = +25^{\circ}\text{C}$ | - | 10 | - | $\mu\text{V}/V_O$ | |
| Ripple Rejection | RR | $f = 120\text{Hz}$, $I_O = 500\text{mA}$ $V_I = 14\text{V}$ to 24V | - | 60 | - | dB | |
| Dropout Voltage | V_{Drop} | $I_O = 1\text{A}$, $T_J = +25^{\circ}\text{C}$ | - | 2.0 | - | V | |
| Output Resistance | r_O | $f = 1\text{KHz}$ | - | 18 | - | $\text{m}\Omega$ | |
| Short Circuit Current | I_{SC} | $V_I = 35\text{V}$, $T_A = +25^{\circ}\text{C}$ | - | 250 | - | mA | |
| Peak Current | I_{PK} | $T_J = +25^{\circ}\text{C}$ | - | 2.2 | - | A | |

Note:

1. Load and line regulation are specified at constant junction temperature. Change in V_O due to heating effects must be taken into account separately. Pulse testing with low duty is used.

Electrical Characteristics (KA7815A)

(Refer to the test circuits. $0^{\circ}\text{C} < T_J < +125^{\circ}\text{C}$, $I_O = 1\text{A}$, $V_I = 23\text{V}$, $C_I = 0.33\mu\text{F}$, $C_O = 0.1\mu\text{F}$, unless otherwise specified)

| Parameter | Symbol | Conditions | Min. | Typ. | Max. | Unit | |
|--------------------------|---------------------|---|-------------------------------------|------|------|------------------------------|-----|
| Output Voltage | V_O | $T_J = +25^{\circ}\text{C}$ | 14.7 | 15 | 15.3 | V | |
| | | $I_O = 5\text{mA to } 1\text{A}$, $P_O \leq 15\text{W}$ $V_I = 17.7\text{V to } 30\text{V}$ | 14.4 | 15 | 15.6 | | |
| Line Regulation (Note1) | Regline | $V_I = 17.9\text{V to } 30\text{V}$ $I_O = 500\text{mA}$ | - | 10 | 150 | mV | |
| | | $V_I = 20\text{V to } 26\text{V}$ | - | 5 | 150 | | |
| | | $T_J = +25^{\circ}\text{C}$ | $V_I = 17.5\text{V to } 30\text{V}$ | - | 11 | | 150 |
| | | | $V_I = 20\text{V to } 26\text{V}$ | - | 3 | | 75 |
| Load Regulation (Note1) | Regload | $T_J = +25^{\circ}\text{C}$ $I_O = 5\text{mA to } 1.5\text{A}$ | - | 12 | 100 | mV | |
| | | $I_O = 5\text{mA to } 1.0\text{A}$ | - | 12 | 100 | | |
| | | $I_O = 250\text{mA to } 750\text{mA}$ | - | 5 | 50 | | |
| Quiescent Current | I_Q | $T_J = +25^{\circ}\text{C}$ | - | 5.2 | 6.0 | mA | |
| Quiescent Current Change | ΔI_Q | $V_I = 17.5\text{V to } 30\text{V}$, $T_J = +25^{\circ}\text{C}$ | - | - | 0.8 | mA | |
| | | $V_I = 17.5\text{V to } 30\text{V}$, $I_O = 500\text{mA}$ | - | - | 0.8 | | |
| | | $I_O = 5\text{mA to } 1.0\text{A}$ | - | - | 0.5 | | |
| Output Voltage Drift | $\Delta V/\Delta T$ | $I_O = 5\text{mA}$ | - | -1.0 | - | $\text{mV}/^{\circ}\text{C}$ | |
| Output Noise Voltage | V_N | $f = 10\text{Hz to } 100\text{KHz}$ $T_A = +25^{\circ}\text{C}$ | - | 10 | - | $\mu\text{V}/V_O$ | |
| Ripple Rejection | RR | $f = 120\text{Hz}$, $I_O = 500\text{mA}$ $V_I = 18.5\text{V to } 28.5\text{V}$ | - | 58 | - | dB | |
| Dropout Voltage | V_{Drop} | $I_O = 1\text{A}$, $T_J = +25^{\circ}\text{C}$ | - | 2.0 | - | V | |
| Output Resistance | r_O | $f = 1\text{KHz}$ | - | 19 | - | $\text{m}\Omega$ | |
| Short Circuit Current | ISC | $V_I = 35\text{V}$, $T_A = +25^{\circ}\text{C}$ | - | 250 | - | mA | |
| Peak Current | IPK | $T_J = +25^{\circ}\text{C}$ | - | 2.2 | - | A | |

Note:

1. Load and line regulation are specified at constant junction temperature. Change in V_O due to heating effects must be taken into account separately. Pulse testing with low duty is used.

Electrical Characteristics (KA7818A)

(Refer to the test circuits. $0^{\circ}\text{C} < T_J < +125^{\circ}\text{C}$, $I_O = 1\text{A}$, $V_I = 27\text{V}$, $C_I = 0.33\mu\text{F}$, $C_O = 0.1\mu\text{F}$, unless otherwise specified)

| Parameter | Symbol | Conditions | Min. | Typ. | Max. | Unit | |
|--------------------------|---------------------|---|-------------------------------------|------|-------|------------------------------|-----|
| Output Voltage | V_O | $T_J = +25^{\circ}\text{C}$ | 17.64 | 18 | 18.36 | V | |
| | | $I_O = 5\text{mA to } 1\text{A}$, $P_O \leq 15\text{W}$ $V_I = 21\text{V to } 33\text{V}$ | 17.3 | 18 | 18.7 | | |
| Line Regulation (Note1) | Regline | $V_I = 21\text{V to } 33\text{V}$ $I_O = 500\text{mA}$ | - | 15 | 180 | mV | |
| | | $V_I = 21\text{V to } 33\text{V}$ | - | 5 | 180 | | |
| | | $T_J = +25^{\circ}\text{C}$ | $V_I = 20.6\text{V to } 33\text{V}$ | - | 15 | | 180 |
| | | | $V_I = 24\text{V to } 30\text{V}$ | - | 5 | | 90 |
| Load Regulation (Note1) | Regload | $T_J = +25^{\circ}\text{C}$ $I_O = 5\text{mA to } 1.5\text{A}$ | - | 15 | 100 | mV | |
| | | $I_O = 5\text{mA to } 1.0\text{A}$ | - | 15 | 100 | | |
| | | $I_O = 250\text{mA to } 750\text{mA}$ | - | 7 | 50 | | |
| Quiescent Current | I_Q | $T_J = +25^{\circ}\text{C}$ | - | 5.2 | 6.0 | mA | |
| Quiescent Current Change | ΔI_Q | $V_I = 21\text{V to } 33\text{V}$, $T_J = +25^{\circ}\text{C}$ | - | - | 0.8 | mA | |
| | | $V_I = 21\text{V to } 33\text{V}$, $I_O = 500\text{mA}$ | - | - | 0.8 | | |
| | | $I_O = 5\text{mA to } 1.0\text{A}$ | - | - | 0.5 | | |
| Output Voltage Drift | $\Delta V/\Delta T$ | $I_O = 5\text{mA}$ | - | -1.0 | - | $\text{mV}/^{\circ}\text{C}$ | |
| Output Noise Voltage | V_N | $f = 10\text{Hz to } 100\text{KHz}$ $T_A = +25^{\circ}\text{C}$ | - | 10 | - | $\mu\text{V}/V_O$ | |
| Ripple Rejection | RR | $f = 120\text{Hz}$, $I_O = 500\text{mA}$ $V_I = 22\text{V to } 32\text{V}$ | - | 57 | - | dB | |
| Dropout Voltage | V_{Drop} | $I_O = 1\text{A}$, $T_J = +25^{\circ}\text{C}$ | - | 2.0 | - | V | |
| Output Resistance | r_O | $f = 1\text{KHz}$ | - | 19 | - | $\text{m}\Omega$ | |
| Short Circuit Current | I_{SC} | $V_I = 35\text{V}$, $T_A = +25^{\circ}\text{C}$ | - | 250 | - | mA | |
| Peak Current | I_{PK} | $T_J = +25^{\circ}\text{C}$ | - | 2.2 | - | A | |

Note:

1. Load and line regulation are specified at constant junction temperature. Change in V_O due to heating effects must be taken into account separately. Pulse testing with low duty is used.

Electrical Characteristics (KA7824A)

(Refer to the test circuits. $0^{\circ}\text{C} < T_J < +125^{\circ}\text{C}$, $I_O = 1\text{A}$, $V_I = 33\text{V}$, $C_I = 0.33\mu\text{F}$, $C_O = 0.1\mu\text{F}$, unless otherwise specified)

| Parameter | Symbol | Conditions | Min. | Typ. | Max. | Unit | |
|--------------------------|---------------------|--|-----------------------------|------|------|------------------------------|-----|
| Output Voltage | V_O | $T_J = +25^{\circ}\text{C}$ | 23.5 | 24 | 24.5 | V | |
| | | $I_O = 5\text{mA}$ to 1A, $P_O \leq 15\text{W}$ $V_I = 27.3\text{V}$ to 38V | 23 | 24 | 25 | | |
| Line Regulation (Note1) | Regline | $V_I = 27\text{V}$ to 38V $I_O = 500\text{mA}$ | - | 18 | 240 | mV | |
| | | $V_I = 21\text{V}$ to 33V | - | 6 | 240 | | |
| | | $T_J = +25^{\circ}\text{C}$ | $V_I = 26.7\text{V}$ to 38V | - | 18 | | 240 |
| | | | $V_I = 30\text{V}$ to 36V | - | 6 | | 120 |
| Load Regulation (Note1) | Regload | $T_J = +25^{\circ}\text{C}$ $I_O = 5\text{mA}$ to 1.5A | - | 15 | 100 | mV | |
| | | $I_O = 5\text{mA}$ to 1.0A | - | 15 | 100 | | |
| | | $I_O = 250\text{mA}$ to 750mA | - | 7 | 50 | | |
| Quiescent Current | I_Q | $T_J = +25^{\circ}\text{C}$ | - | 5.2 | 6.0 | mA | |
| Quiescent Current Change | ΔI_Q | $V_I = 27.3\text{V}$ to 38V, $T_J = +25^{\circ}\text{C}$ | - | - | 0.8 | mA | |
| | | $V_I = 27.3\text{V}$ to 38V, $I_O = 500\text{mA}$ | - | - | 0.8 | | |
| | | $I_O = 5\text{mA}$ to 1.0A | - | - | 0.5 | | |
| Output Voltage Drift | $\Delta V/\Delta T$ | $I_O = 5\text{mA}$ | - | -1.5 | - | $\text{mV}/^{\circ}\text{C}$ | |
| Output Noise Voltage | V_N | $f = 10\text{Hz}$ to 100KHz $T_A = 25^{\circ}\text{C}$ | - | 10 | - | $\mu\text{V}/V_O$ | |
| Ripple Rejection | RR | $f = 120\text{Hz}$, $I_O = 500\text{mA}$ $V_I = 28\text{V}$ to 38V | - | 54 | - | dB | |
| Dropout Voltage | V_{Drop} | $I_O = 1\text{A}$, $T_J = +25^{\circ}\text{C}$ | - | 2.0 | - | V | |
| Output Resistance | r_O | $f = 1\text{KHz}$ | - | 20 | - | $\text{m}\Omega$ | |
| Short Circuit Current | I_{SC} | $V_I = 35\text{V}$, $T_A = +25^{\circ}\text{C}$ | - | 250 | - | mA | |
| Peak Current | I_{PK} | $T_J = +25^{\circ}\text{C}$ | - | 2.2 | - | A | |

Note:

1. Load and line regulation are specified at constant junction temperature. Change in V_O due to heating effects must be taken into account separately. Pulse testing with low duty is used.

Typical Performance Characteristics

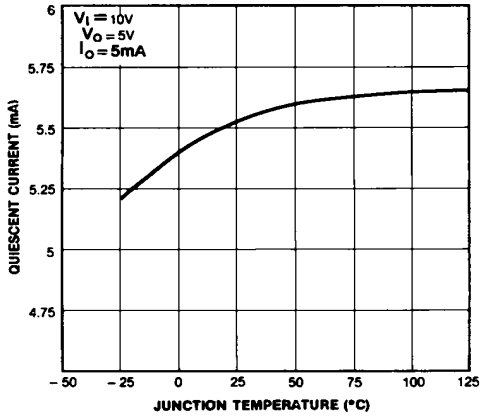


Figure 1. Quiescent Current

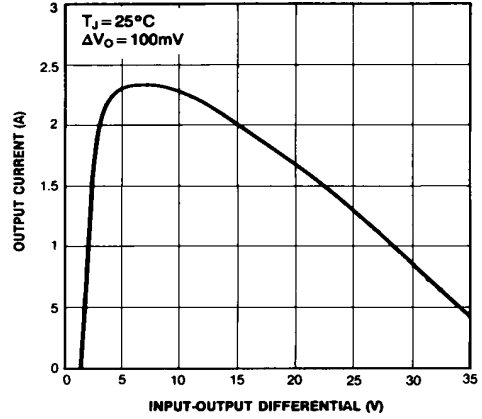


Figure 2. Peak Output Current

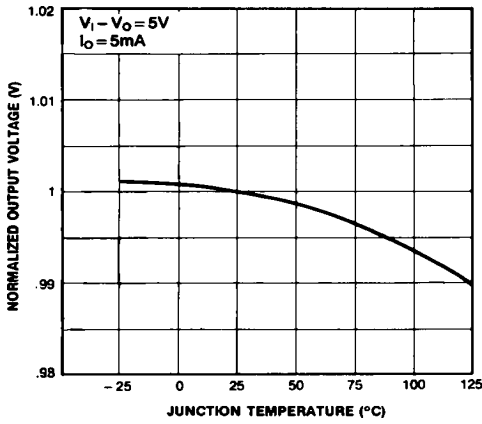


Figure 3. Output Voltage

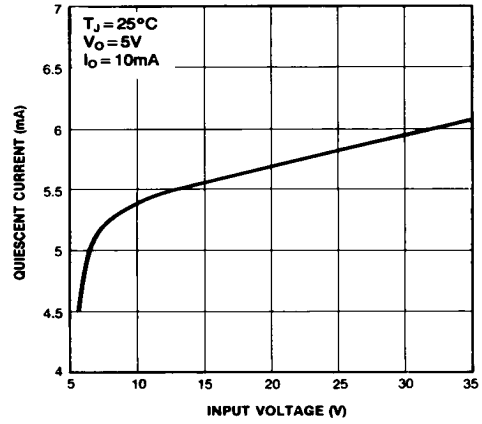


Figure 4. Quiescent Current

Typical Applications

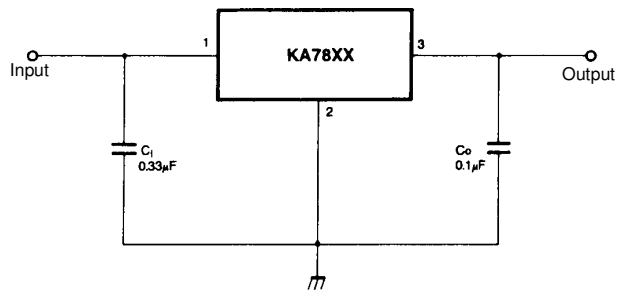


Figure 5. DC Parameters

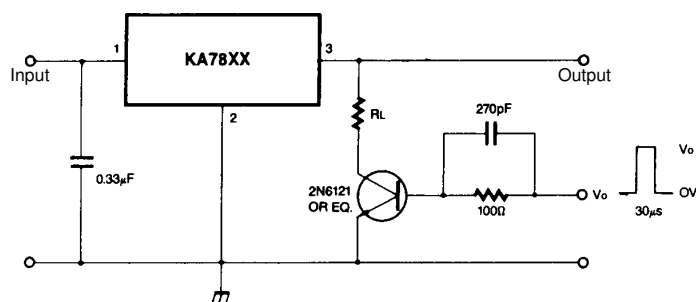


Figure 6. Load Regulation

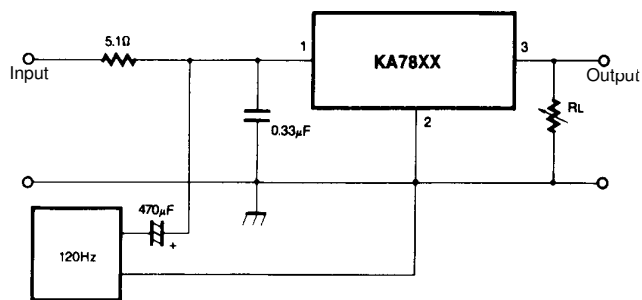


Figure 7. Ripple Rejection

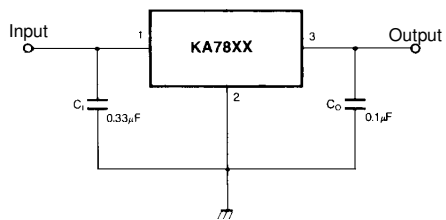


Figure 8. Fixed Output Regulator

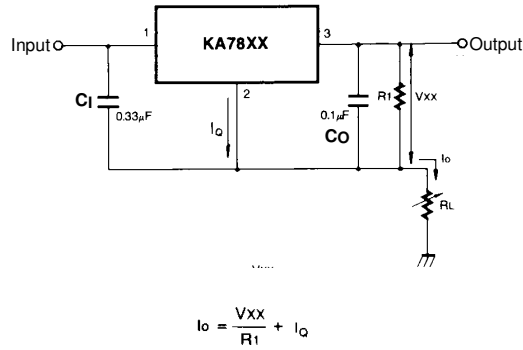
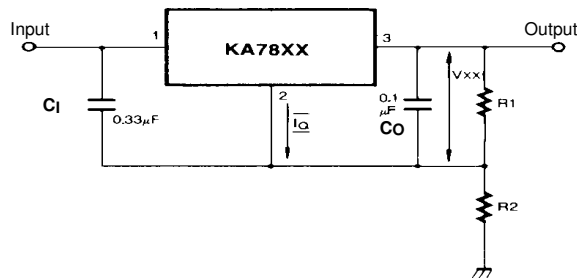


Figure 9. Constant Current Regulator

Notes:

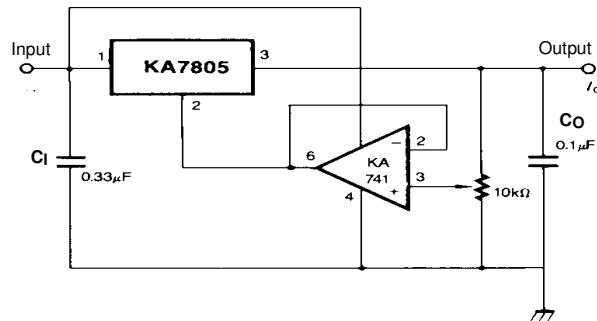
- (1) To specify an output voltage, substitute voltage value for "XX." A common ground is required between the input and the Output voltage. The input voltage must remain typically 2.0V above the output voltage even during the low point on the input ripple voltage.
- (2) C₁ is required if regulator is located an appreciable distance from power Supply filter.
- (3) C₀ improves stability and transient response.



$$I_{R1} \geq 5I_Q$$

$$V_O = V_{XX}(1+R_2/R_1)+I_Q R_2$$

Figure 10. Circuit for Increasing Output Voltage



$$I_{R1} \geq 5 I_Q$$

$$V_O = V_{XX}(1+R_2/R_1)+I_Q R_2$$

Figure 11. Adjustable Output Regulator (7 to 30V)

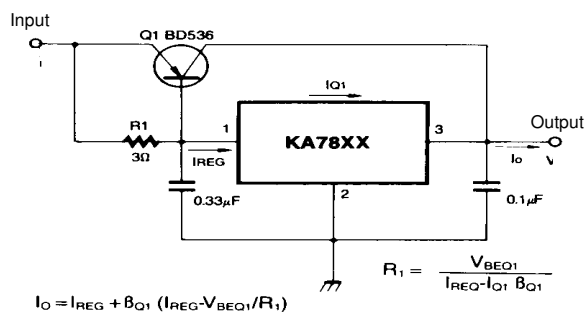


Figure 12. High Current Voltage Regulator

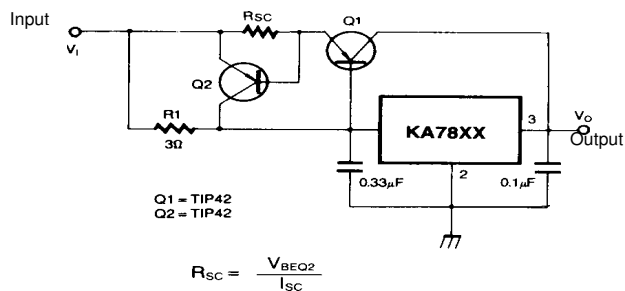


Figure 13. High Output Current with Short Circuit Protection

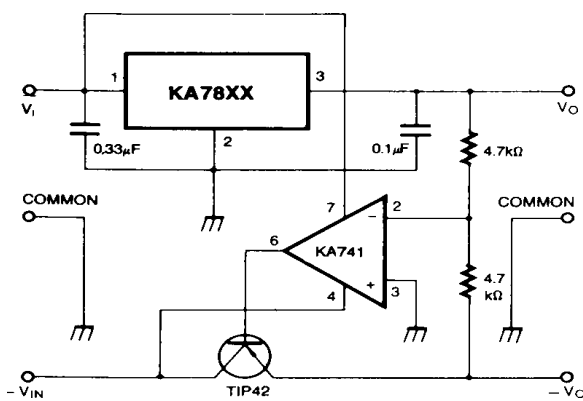


Figure 14. Tracking Voltage Regulator

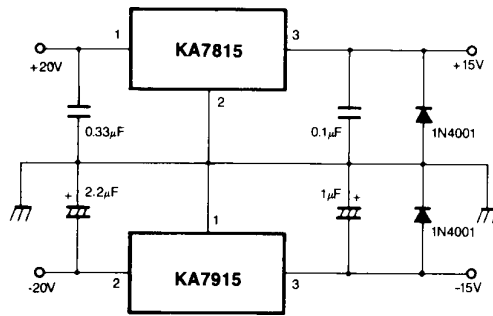


Figure 15. Split Power Supply (±15V-1A)

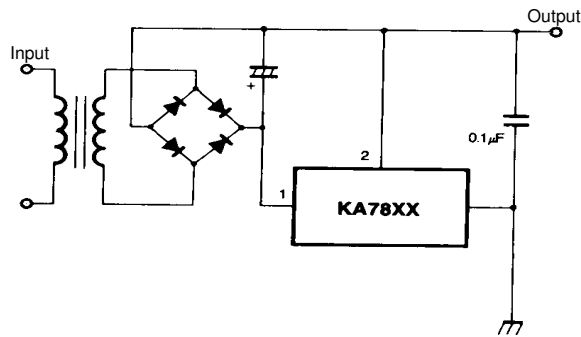


Figure 16. Negative Output Voltage Circuit

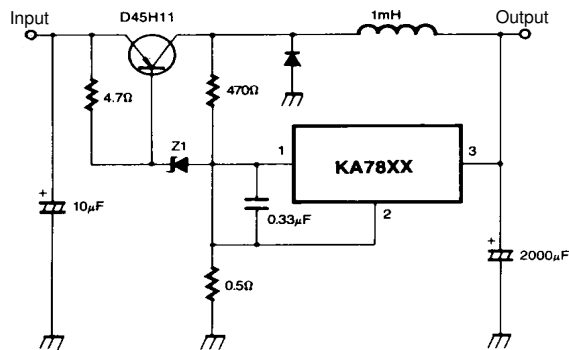
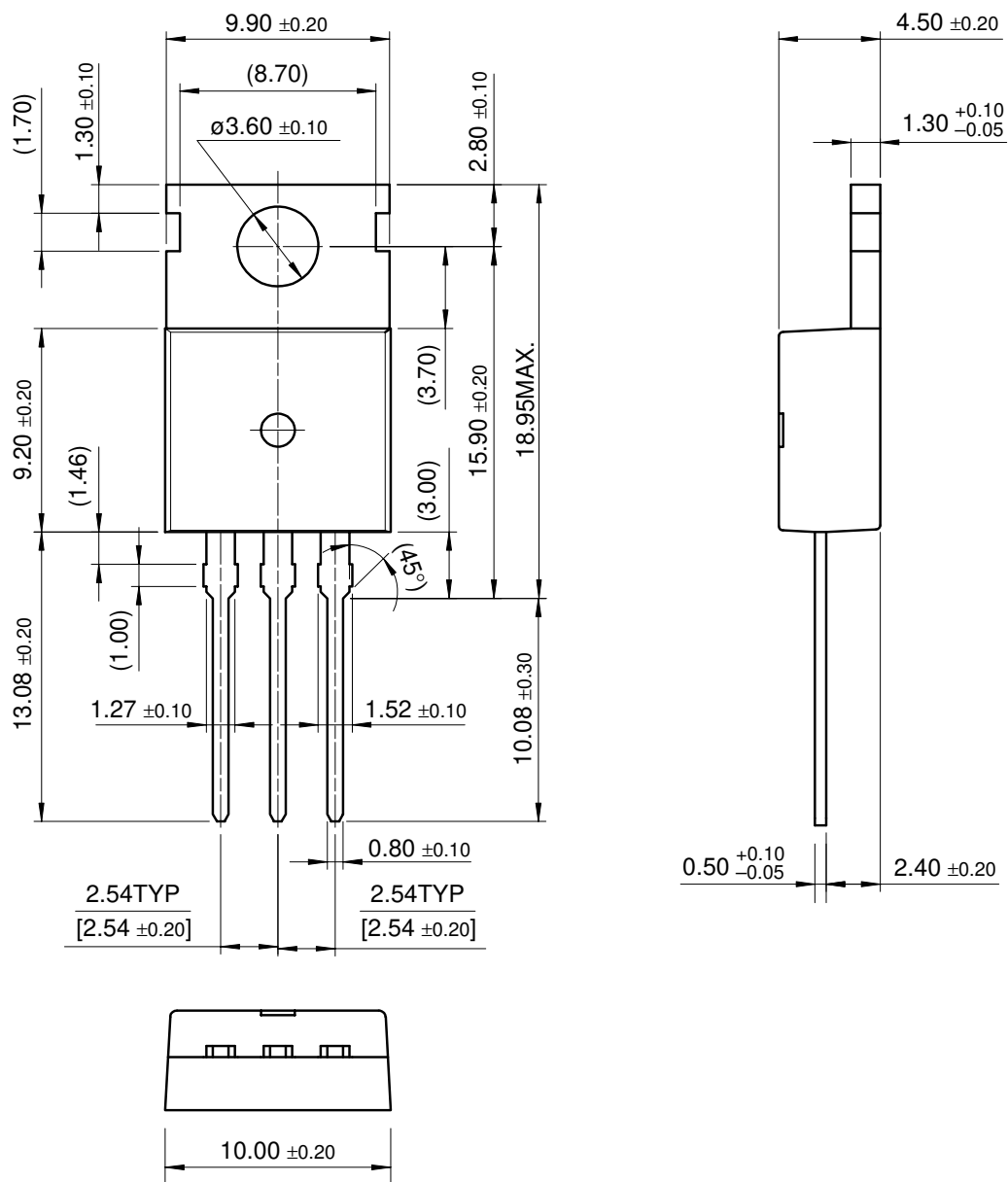


Figure 17. Switching Regulator

Mechanical Dimensions

Package

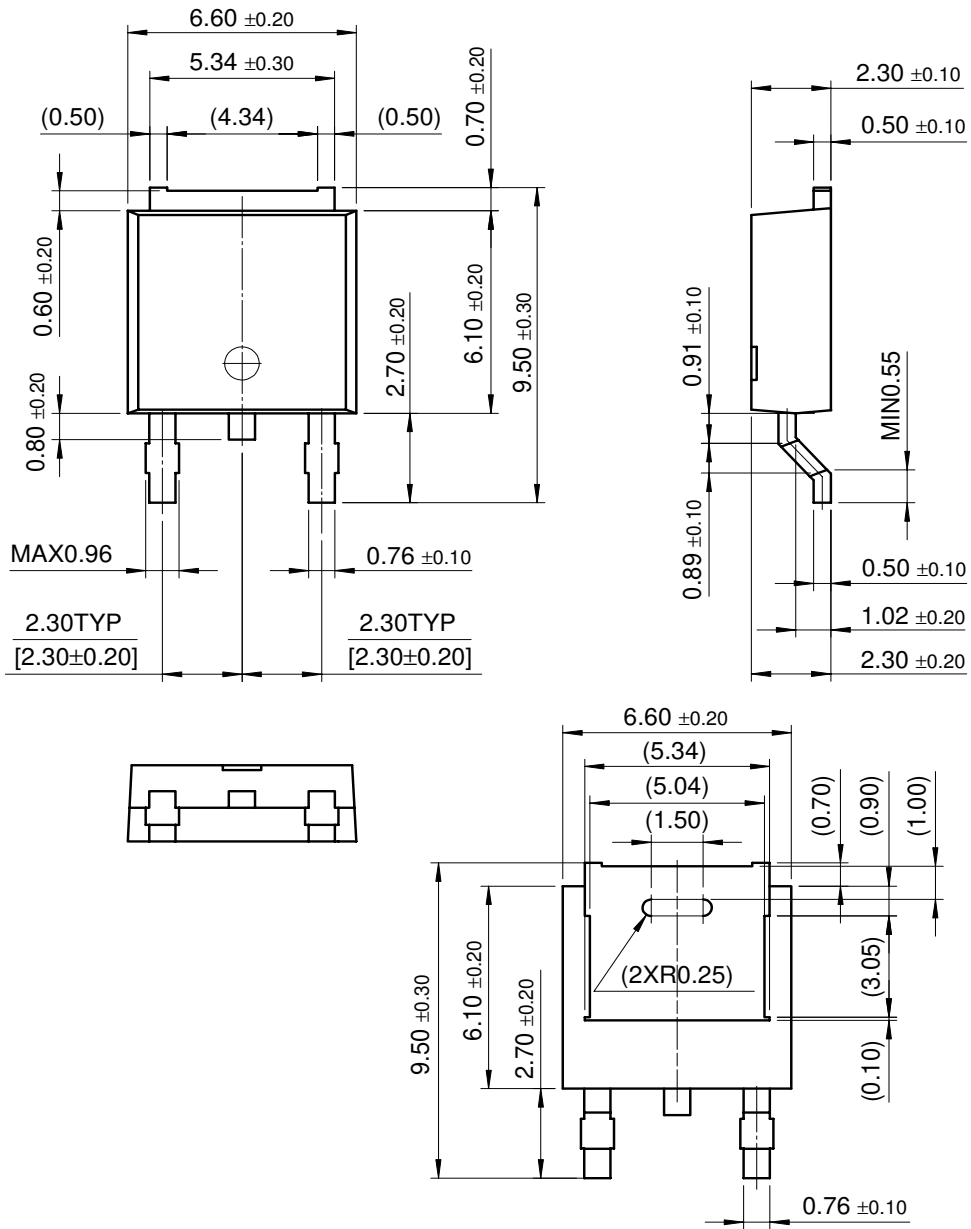
TO-220



Mechanical Dimensions (Continued)

Package

D-PAK



Ordering Information

| Product Number | Output Voltage Tolerance | Package | Operating Temperature |
|-------------------|--------------------------|---------|-----------------------|
| KA7805 / KA7806 | ±4% | TO-220 | 0 ~ + 125°C |
| KA7808 / KA7809 | | | |
| KA7810 | | | |
| KA7812 / KA7815 | | | |
| KA7818 / KA7824 | | | |
| KA7805A / KA7806A | ±2% | | |
| KA7808A / KA7809A | | | |
| KA7810A / KA7812A | | | |
| KA7815A / KA7818A | | | |
| KA7824A | | | |
| KA7805R / KA7806R | ±4% | D-PAK | |
| KA7808R / KA7809R | | | |
| KA7812R | | | |

DISCLAIMER

FAIRCHILD SEMICONDUCTOR RESERVES THE RIGHT TO MAKE CHANGES WITHOUT FURTHER NOTICE TO ANY PRODUCTS HEREIN TO IMPROVE RELIABILITY, FUNCTION OR DESIGN. FAIRCHILD DOES NOT ASSUME ANY LIABILITY ARISING OUT OF THE APPLICATION OR USE OF ANY PRODUCT OR CIRCUIT DESCRIBED HEREIN; NEITHER DOES IT CONVEY ANY LICENSE UNDER ITS PATENT RIGHTS, NOR THE RIGHTS OF OTHERS.

LIFE SUPPORT POLICY

FAIRCHILD'S PRODUCTS ARE NOT AUTHORIZED FOR USE AS CRITICAL COMPONENTS IN LIFE SUPPORT DEVICES OR SYSTEMS WITHOUT THE EXPRESS WRITTEN APPROVAL OF THE PRESIDENT OF FAIRCHILD SEMICONDUCTOR CORPORATION. As used herein:

1. Life support devices or systems are devices or systems which, (a) are intended for surgical implant into the body, or (b) support or sustain life, and (c) whose failure to perform when properly used in accordance with instructions for use provided in the labeling, can be reasonably expected to result in a significant injury of the user.
2. A critical component in any component of a life support device or system whose failure to perform can be reasonably expected to cause the failure of the life support device or system, or to affect its safety or effectiveness.

This datasheet has been downloaded from:

www.DatasheetCatalog.com

Datasheets for electronic components.