



ENGLISH

## M12 Connectivity

8 Port Distribution Box - 8 x M12, 5 pole (2 signals per port) with removable cap for self-wire home run cable

Stock No. 174-7832



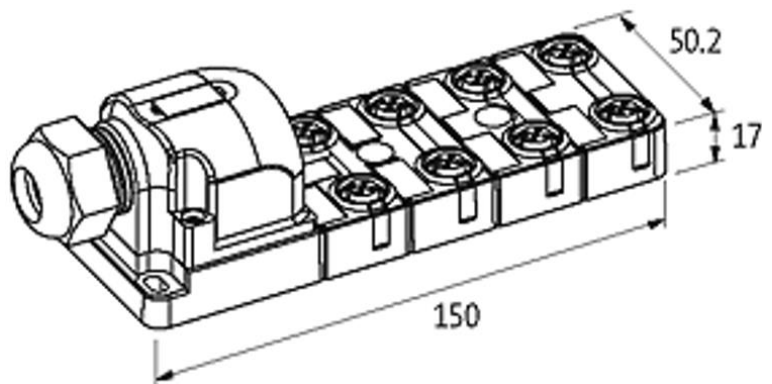
### Primary Features

LED indication for easy diagnostics

IP65, IP67 when leads inserted and tightened

Removable home run lead cap for easy installation and maintenance

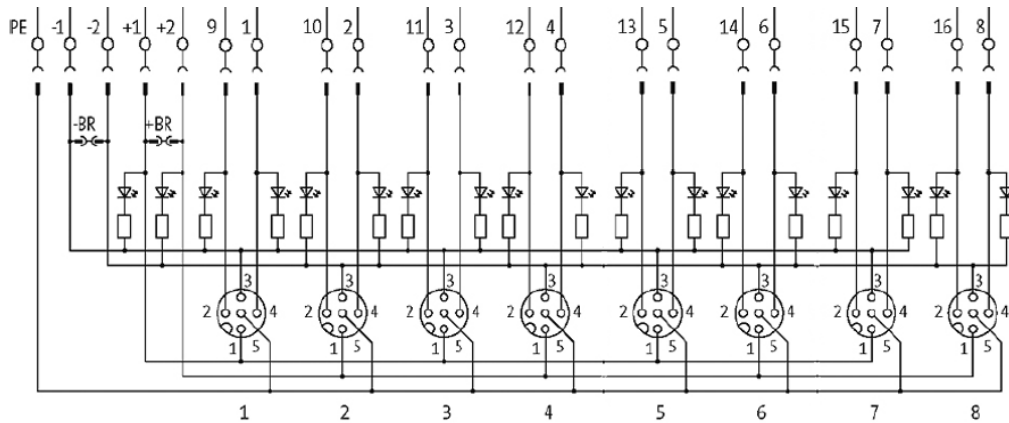
UL and CSA approved



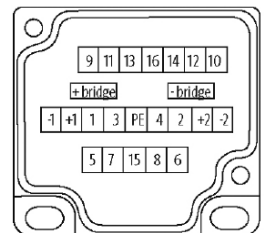
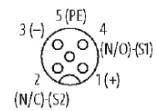


## Wiring Schematic

174-7832



M12 Females 5-pole



for 2 signals per port

## Contact Layout

PIN 1	(+)
PIN 2	(NC)/(S2)
PIN 3	(-)
PIN 4	(NO)/(S1)
PIN 5	(Earth)
LED display	LED (green): Power / LED (yellow): (S1/S2)

## Technical Data

Operating voltage	24 V DC
Signal per port	2
Operating current per contact	max. 4 A
Connection	Spring clamp plug-in terminals: max. 1.5 mm <sup>2</sup> (AWG 16)
Total current	max. 2 × 8 A
Housing	Plastic, flame retardant
Protection	IP67 inserted and tightened (EN 60529)
Locking of ports	Screw thread M12 × 1 mm
Temperature range	-20...+80 °C
Dimensions H × W × D	150×50.2×17 mm