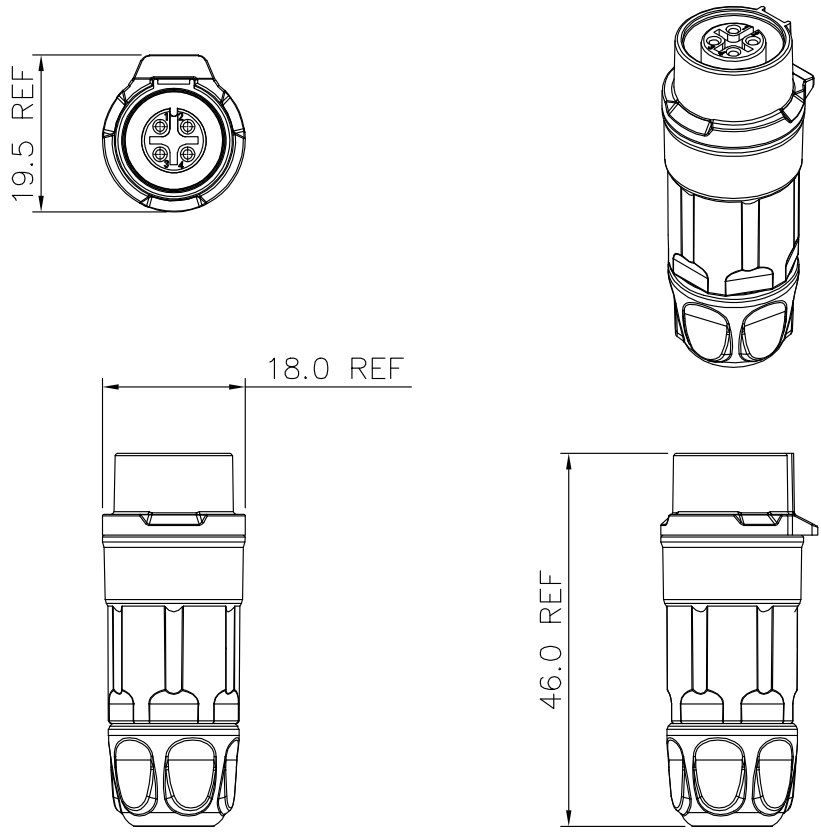


REV	MODIFICATION	DATE	DRAW	APPROVE



SPECIFICATIONS:
 Current Rating: PIN Number-A 5A; PIN Number-B 3A
 Operating Voltage: 125V MAX.
 Dielectric Withstanding Voltage: 1500V MAX.
 Contact Resistance: 10mΩ MAX.
 Cable OD: ϕ 3.0- ϕ 6.0mm
 Waterproof Standard: IP 67

2	Contact	Phosphor Bronze	Gold Ptd.	2-8
1	Housing	PBT		4
No.	Description	Material	Treat	Q'ty

-TOLERANCES- UNLESS OTHERWISE SPECIFIED		
X.X ±0.25	X* REF ± 5*	
X.XX ±0.15	X.* ± 3*	
X.XXX±0.05	X** ± 1*	
DRAWN ROBIN 02/01/2018		TITLE: LP12 Serie 260 Female Connector All Plastic
CHECKED		PRODUCT NO. ---
APPROVED		FILE NAME: ---
SCALE: AS SHOWN	UNIT: mm	PORJ. SIZE A4 REV. A SHEET. A/A

TYPE	PIN NUMBER-A (5A)				PIN NUMBER-B(3A)		
P/N:	0260 02	0260 03	0260 04	0260 05	0260 06	0260 07	0260 08
Female Contact Face View							
Number Of Contact	2	3	4	5	6	7	8