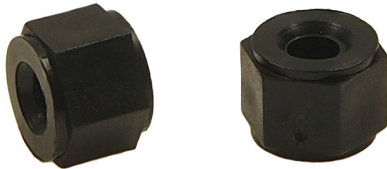


RoHS
Compliant

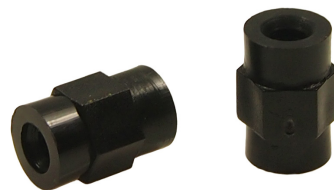


Description

PCB spacers give a rigid mounting for PCB's or similar assemblies. Fixing is by self-tapping screw, size number 6 or 8, which are simply screwed into each end of the post. The centre flat section can be gripped to prevent rotation while fixing. Pop rivets $\frac{1}{8}"\varnothing$ are also suitable for fixing to a metal chassis. Material is Polypropylene (PP).



MP002201 - $\frac{1}{4}"$ (6.35mm)



MP002202 - $\frac{1}{2}"$ (12.7mm)



MP002203 - 1" (25.4mm)



MP002204 - $1\frac{1}{4}"$ (31.7mm)

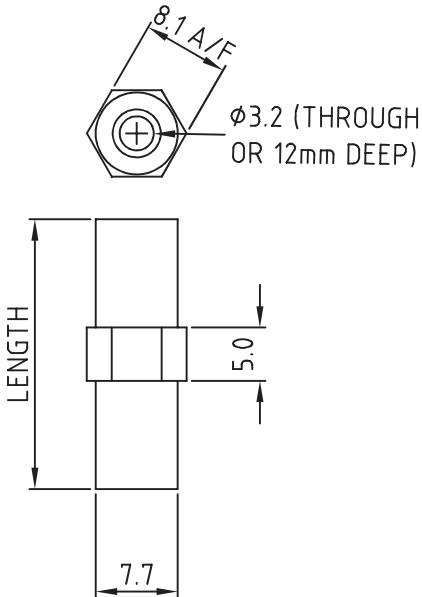


MP002205 - $1\frac{3}{8}"$ (34.9mm)



MP002206 - $1\frac{1}{2}"$ (38.1mm)

Diagram



Dimensions : Millimetres

Part Number Table

Description	Part Number
PCB Spacer, Polypropylene, 6.35mm × 7.7mm, 3.2mm ID	MP002201
PCB Spacer, Polypropylene, 12.7mm × 7.7mm, 3.2mm ID	MP002202
PCB Spacer, Polypropylene, 25.4mm × 7.7mm, 3.2mm ID	MP002203
PCB Spacer, Polypropylene, 31.7mm × 7.7mm, 3.2mm ID	MP002204
PCB Spacer, Polypropylene, 34.9mm × 7.7mm, 3.2mm ID	MP002205
PCB Spacer, Polypropylene, 38.1mm × 7.7mm, 3.2mm ID	MP002206

Important Notice : This data sheet and its contents (the "Information") belong to the members of the AVNET group of companies (the "Group") or are licensed to it. No licence is granted for the use of it other than for information purposes in connection with the products to which it relates. No licence of any intellectual property rights is granted. The Information is subject to change without notice and replaces all data sheets previously supplied. The Information supplied is believed to be accurate but the Group assumes no responsibility for its accuracy or completeness, any error in or omission from it or for any use made of it. Users of this data sheet should check for themselves the Information and the suitability of the products for their purpose and not make any assumptions based on information included or omitted. Liability for loss or damage resulting from any reliance on the Information or use of it (including liability resulting from negligence or where the Group was aware of the possibility of such loss or damage arising) is excluded. This will not operate to limit or restrict the Group's liability for death or personal injury resulting from its negligence. Multicomp Pro is the registered trademark of Premier Farnell Limited 2019.